



LEFROY BROOKS

1 8 2 8 T R O U T M A N S T R E E T
R I D G E W O O D N E W Y O R K N Y 1 1 3 8 5 U S A
T: +1(718) 302 5292 F: +1(718) 302 4177

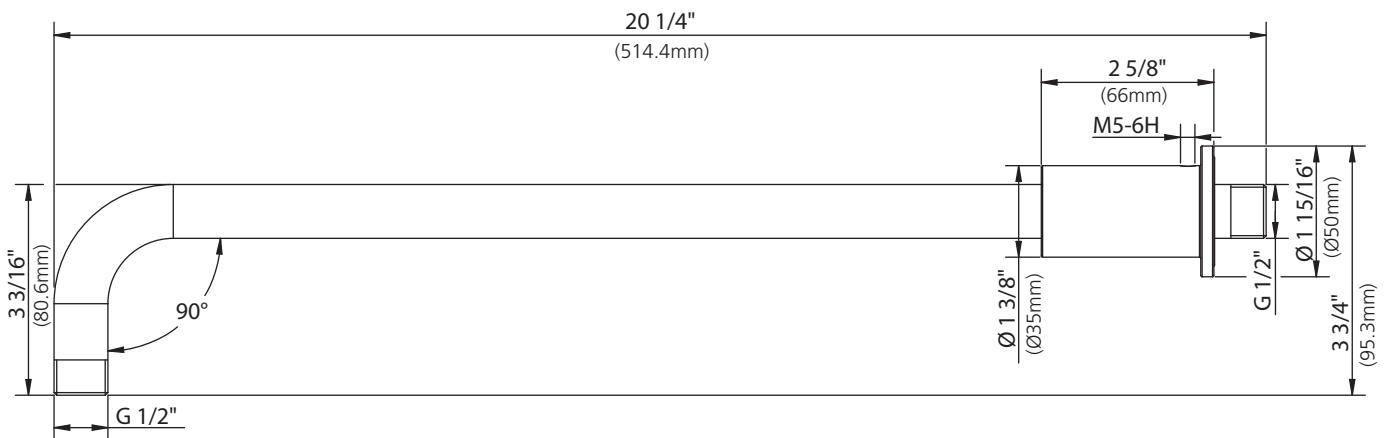
Y15-4501

20" WALL SHOWER PROJECTION ARM WITH G 1/2" THREAD

DIMENSIONAL DATA SHEET

DATE: 15 December 2011

No:



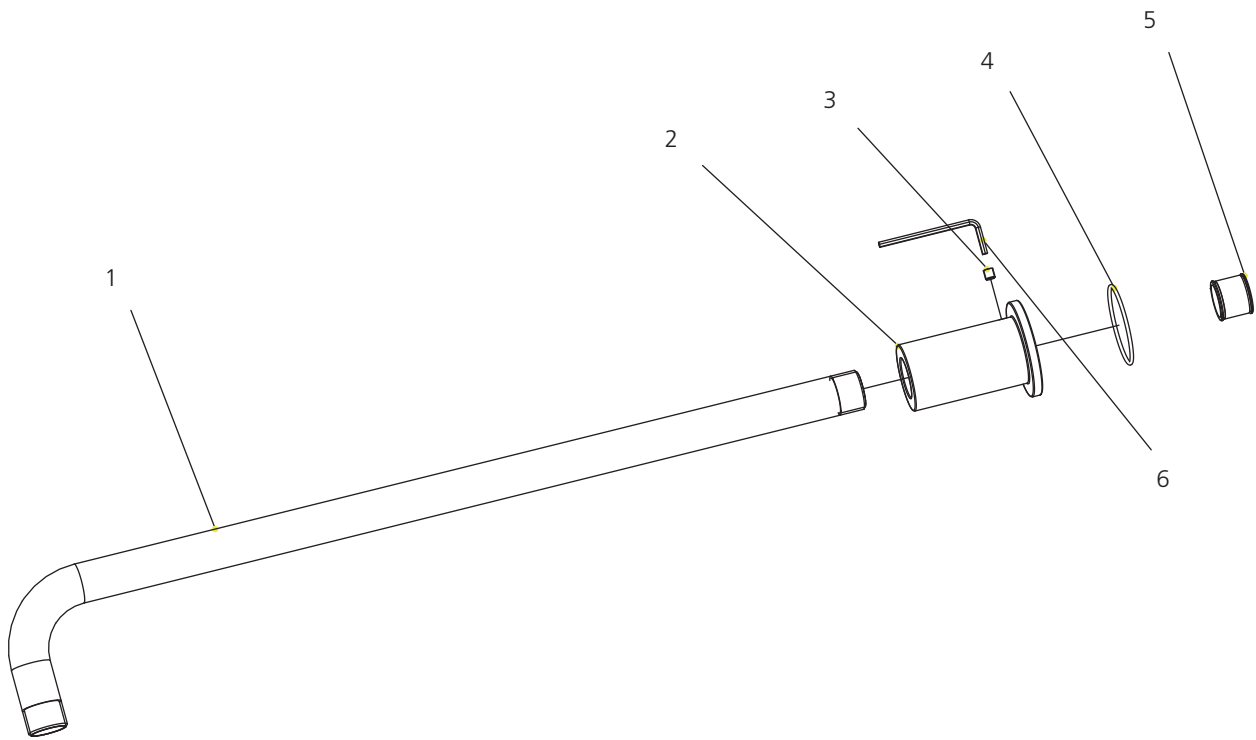
©COPYRIGHT 2009. CHRISTO LEFROY BROOKS. ALL RIGHTS RESERVED.

DIMENSIONS IN INCHES & MILLIMETRES

WHILST EVERY EFFORT IS MADE TO ENSURE THE ACCURACY OF THESE DATA SHEETS THEY ARE SUBJECT TO CHANGE WITHOUT NOTICE AS PART OF THE COMPANY'S PRODUCT DEVELOPMENT PROCESS

Y15-4501

20" WALL SHOWER PROJECTION ARM WITH G 1/2" THREAD



- 1 Arm
- 2 Escutcheon (019331)
- 3 Screw (008003)
- 4 o-ring (004578N)
- 5 Teflon tape (203000)
- 6 Allen key (031000)

Please note :

Final achievable flow rate is dependent on the outlets fitted, see relevant outlets (spouts, roses, sprays) for fully assembled product flow rate.