



LEFROY BROOKS

1 8 2 8 T R O U T M A N S T R E E T
R I D G E W O O D N E W Y O R K N Y 1 1 3 8 5 U S A
T: +1(718) 302 5292 F: +1(718) 302 4177

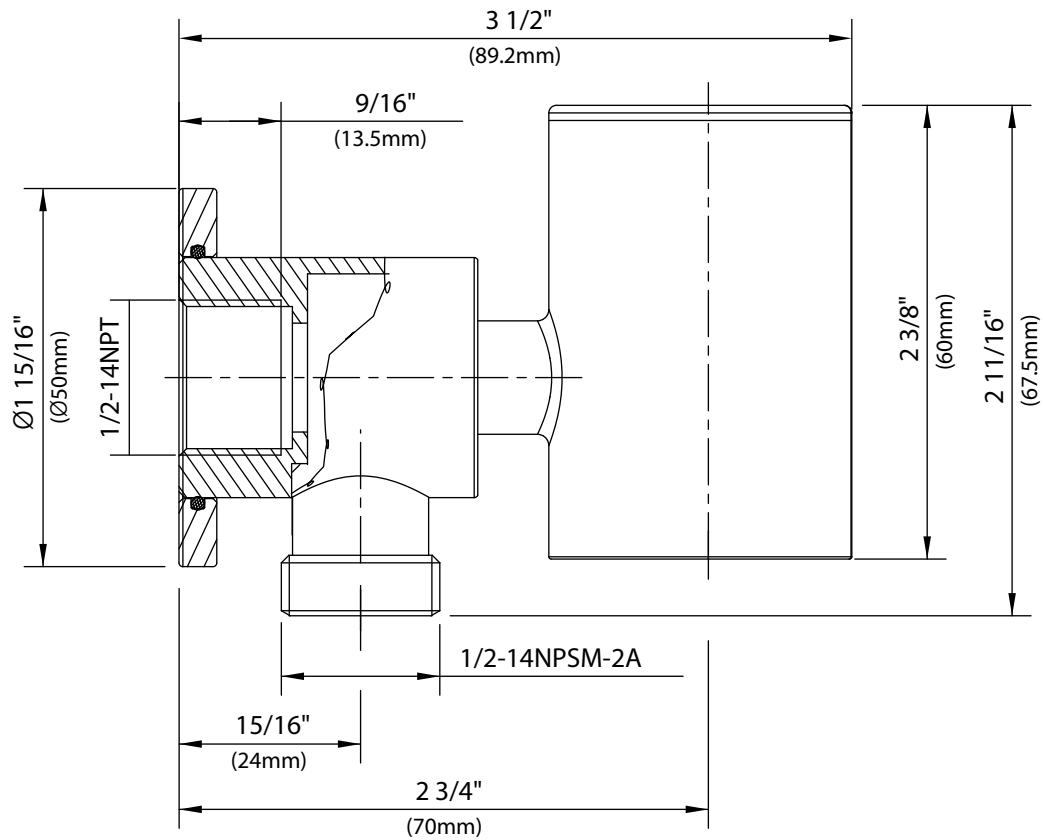
Y1-1006

WALL OUTLET & HAND SHOWER CRADLE

DIMENSIONAL DATA SHEET

DATE: 1 July 2009

No: A558983



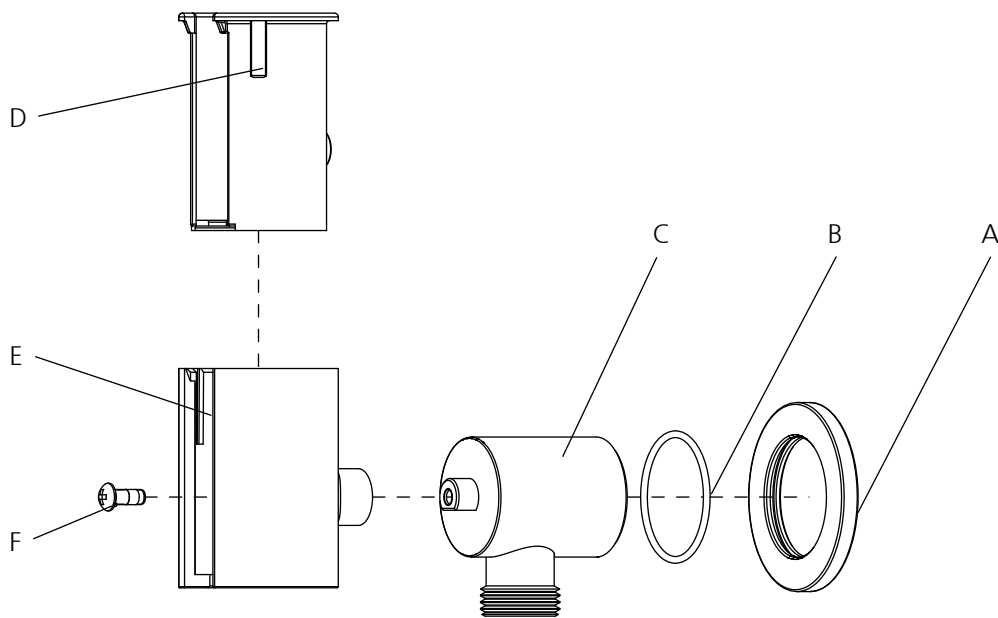
©COPYRIGHT 2009. CHRISTO LEFROY BROOKS. ALL RIGHTS RESERVED.

DIMENSIONS IN INCHES & MILLIMETRES

WHILST EVERY EFFORT IS MADE TO ENSURE THE ACCURACY OF THESE DATA SHEETS THEY ARE SUBJECT TO CHANGE WITHOUT NOTICE AS PART OF THE COMPANY'S PRODUCT DEVELOPMENT PROCESS

Y1-1006

WALL OUTLET & HAND SHOWER CRADLE



- A Bezel (117034)
- B O-ring (063062N)
- C Body outlet (117046)
- D Bracket lining (117038)
- E Shower bracket (117037)
- F Screw (008154)

Standards

Meets A112.18.1