



LEFROY BROOKS

1 8 2 8 T R O U T M A N S T R E E T
R I D G E W O O D N E W Y O R K N Y 1 1 3 8 5 U S A
T : + 1 (7 1 8) 3 0 2 5 2 9 2 F : + 1 (7 1 8) 3 0 2 4 1 7 7

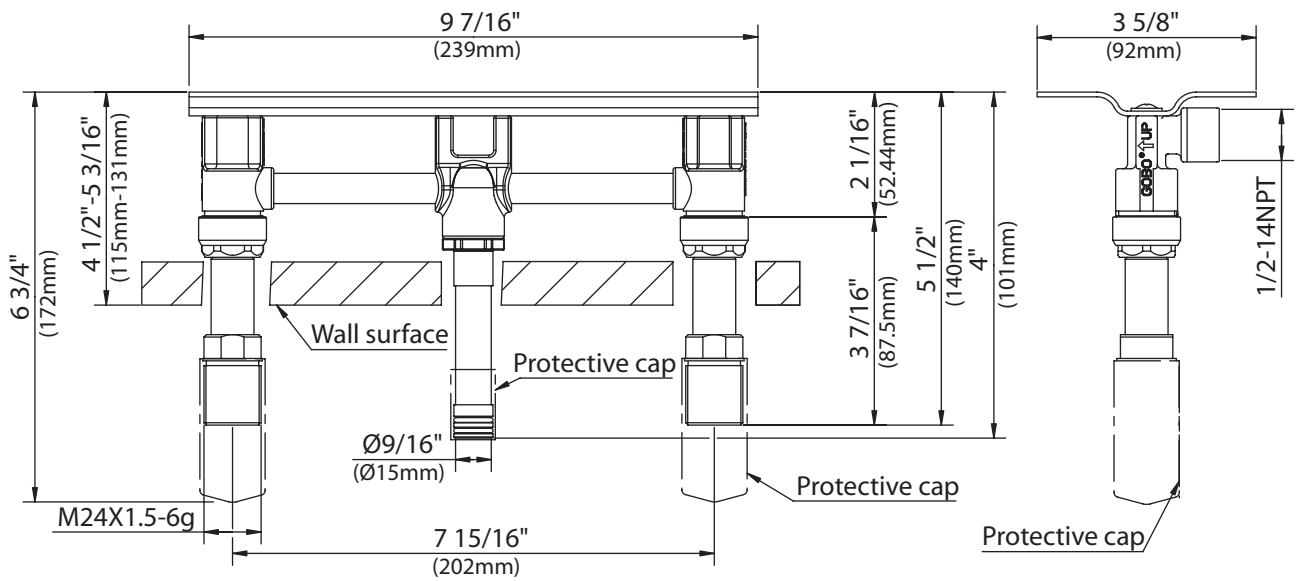
R1-4028

LEVER WALL 3-HOLE BASIN MIXER ROUGH
TO SUIT M1-1111, CW-1401, CB-1401

DIMENSIONAL DATA SHEET

DATE: 14 May 2010

No: A66F206W

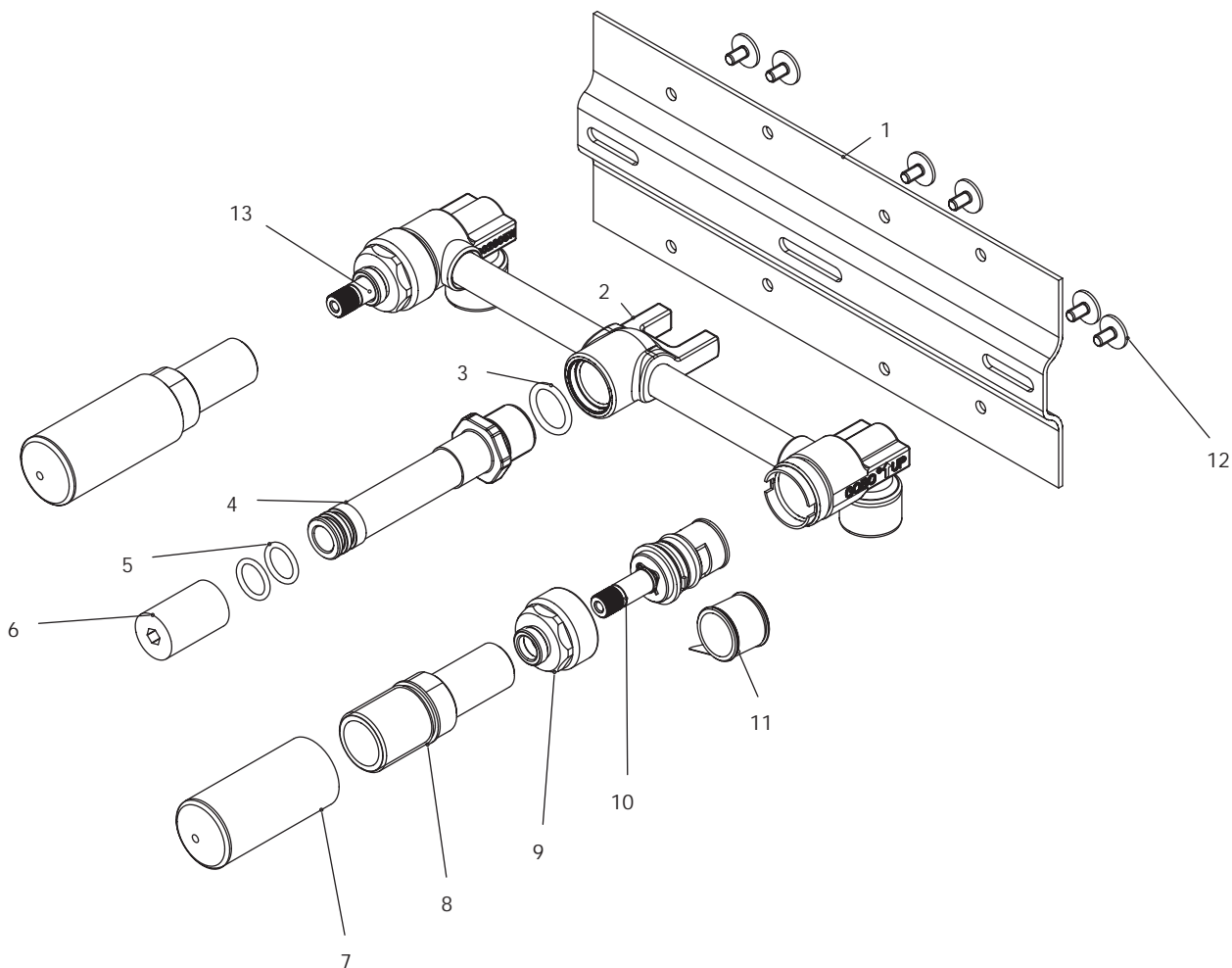


DIMENSIONS IN INCHES & MILLIMETRES

WHILST EVERY EFFORT IS MADE TO ENSURE THE ACCURACY OF THESE DATA SHEETS THEY ARE SUBJECT TO CHANGE WITHOUT NOTICE AS PART OF THE COMPANY'S PRODUCT DEVELOPMENT PROCESS

R1-4028

LEVER WALL 3-HOLE BASIN MIXER ROUGH TO SUIT M1-1111, CW-1401, CB-1401

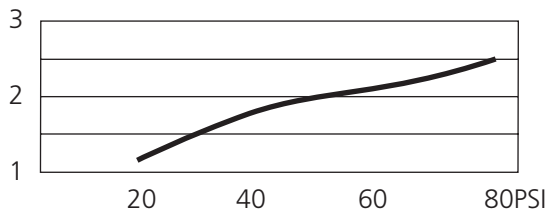


- | | | | |
|---|-------------------------|----|------------------------------------|
| 1 | Back plate (126671-S) | 8 | Adaptor (067733) |
| 2 | Body (002727W) | 9 | Retainer nut (016231) |
| 3 | O-ring (004010N) | 10 | Cartridge assembly (C) (507072W) |
| 4 | Adaptor (077126W) | 11 | Teflon tape (203000) |
| 5 | O-ring (072042N) | 12 | Screw (008013) |
| 6 | Protective cap (045225) | 13 | Cartridge assembly (H) (507071W) |
| 7 | Protective cap (038007) | | |

Standards

IAPMO/cUPC Listed
 Meets NSF 61-9
 Meets A112.18.1

Flow Rate



Please note :
 Final achievable flow rate is dependent on the outlets fitted, see relevant outlets (spouts, roses, sprays) for fully assembled product flow rate.