



**LEFROY BROOKS**

1 8 2 8 T R O U T M A N S T R E E T  
R I D G E W O O D N E W Y O R K N Y 1 1 3 8 5 U S A  
T: +1(718) 302 5292 F: +1(718) 302 4177

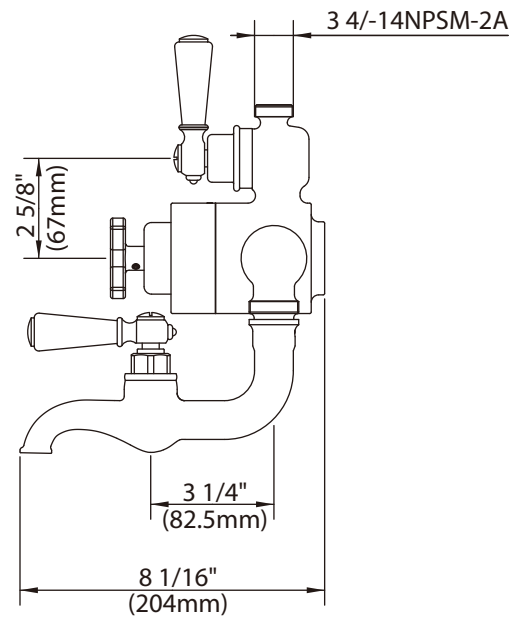
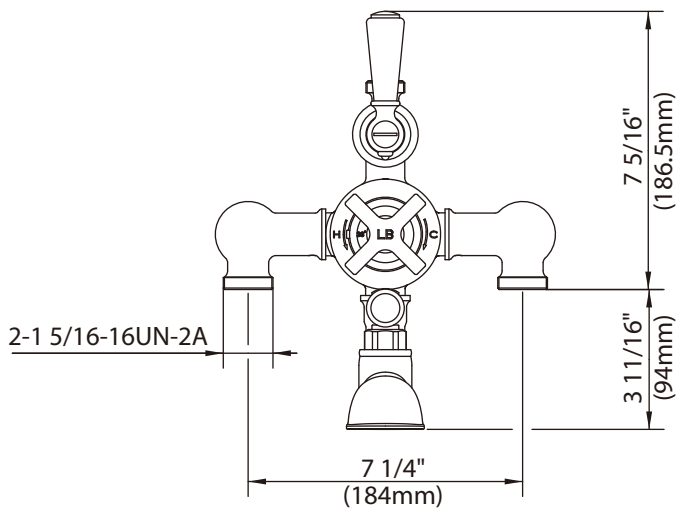
**M1-2675 (MK8823)**

EXPOSED BLACK LEVER THERMOSTATIC BATH & SHOWER VALVE

**DIMENSIONAL DATA SHEET**

DATE: 23 November 2012

No: F24B6601



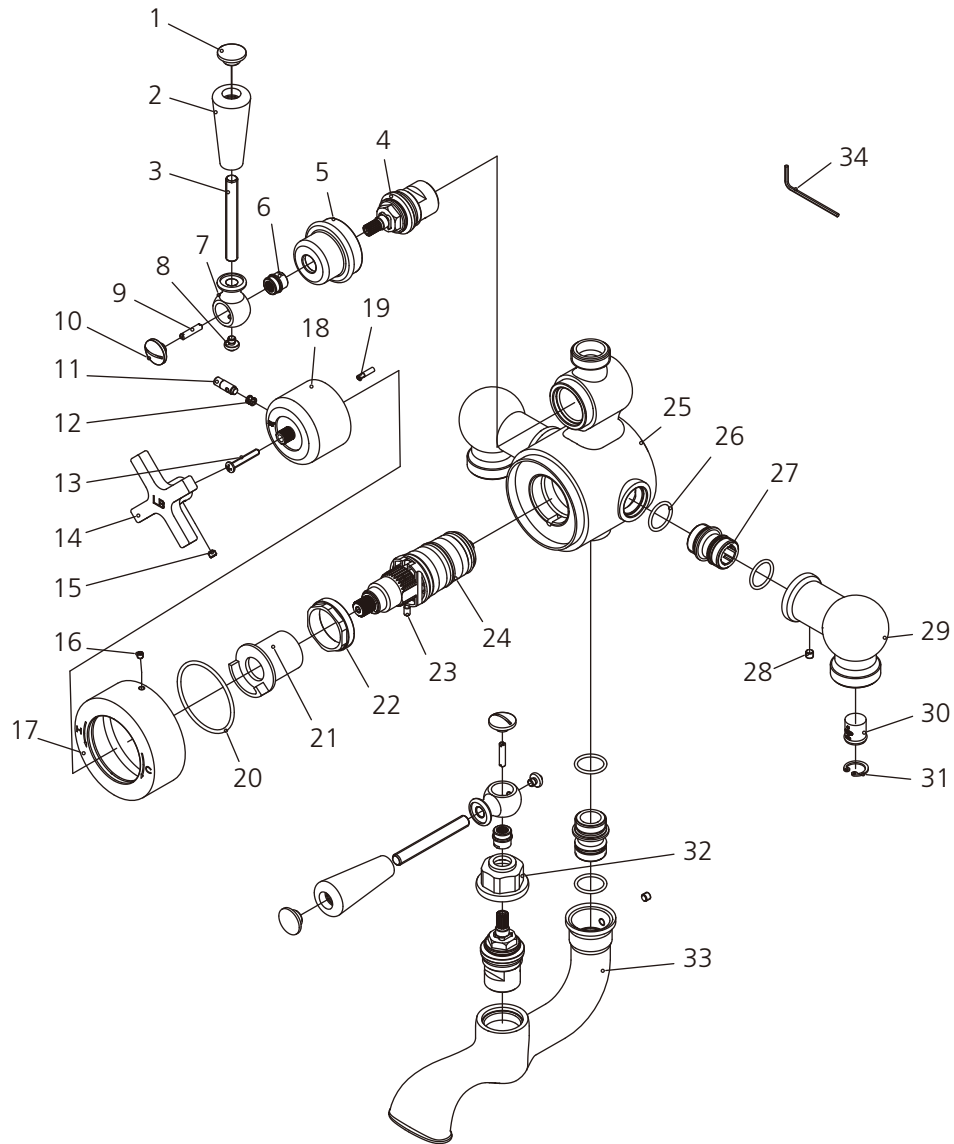
COPYRIGHT © LBIP LTD 2012. ALL RIGHTS RESERVED.

DIMENSIONS IN INCHES & MILLIMETRES

WHILST EVERY EFFORT IS MADE TO ENSURE THE ACCURACY OF THESE DATA SHEETS THEY ARE SUBJECT TO CHANGE WITHOUT NOTICE AS PART OF THE COMPANY'S PRODUCT DEVELOPMENT PROCESS

# M1-2675 (MK8823)

EXPOSED BLACK LEVER THERMOSTATIC BATH & SHOWER VALVE

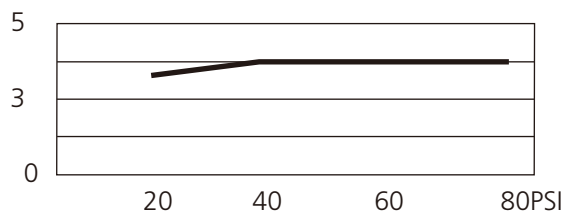


1	Lever cap (109376)	13	Screw (065152)	25	Body (066017-50)
2	Lever (108924)	14	Cross handle (029685-51)	26	O-ring (004074N)
3	Screw (017094)	15	Set screw (075210)	27	Adaptor (077124)
4	Cartridge (507455)	16	Set screw (065086)	28	Screw (008005)
5	Canopy (018206)	17	Canopy (071432-50)	29	Adaptor (077123)
6	Adaptor (067580)	18	Canopy (018199-50)	30	Check valve (519230)
7	Lever seat (205461)	19	Pin (003168)	31	Elastic clip (045165)
8	End cap (109377)	20	O-ring (004623R)	32	Canopy (018236)
9	Screw (008245)	21	Stopper (049108)	33	Spout (118557)
10	Slotted head (008247)	22	Retaining nut (104298)	34	Allen key (031003)
11	Button (036292)	23	Pin (003146)		
12	Spring (005157)	24	Thermostatic cartridge (507132)		

## Standards

IAPMO/cUPC Listed  
Meets A112.18.1  
Meets ASSE 1016

## Flow Rate



Please note :

Final achievable flow rate is dependent on the outlets fitted, see relevant outlets (spouts, roses, sprays) for fully assembled product flow rate.