



LEFROY BROOKS

1 8 2 8 T R O U T M A N S T R E E T
R I D G E W O O D N E W Y O R K N Y 1 1 3 8 5 U S A
T: +1(718) 302 5292 F: +1(718) 302 4177

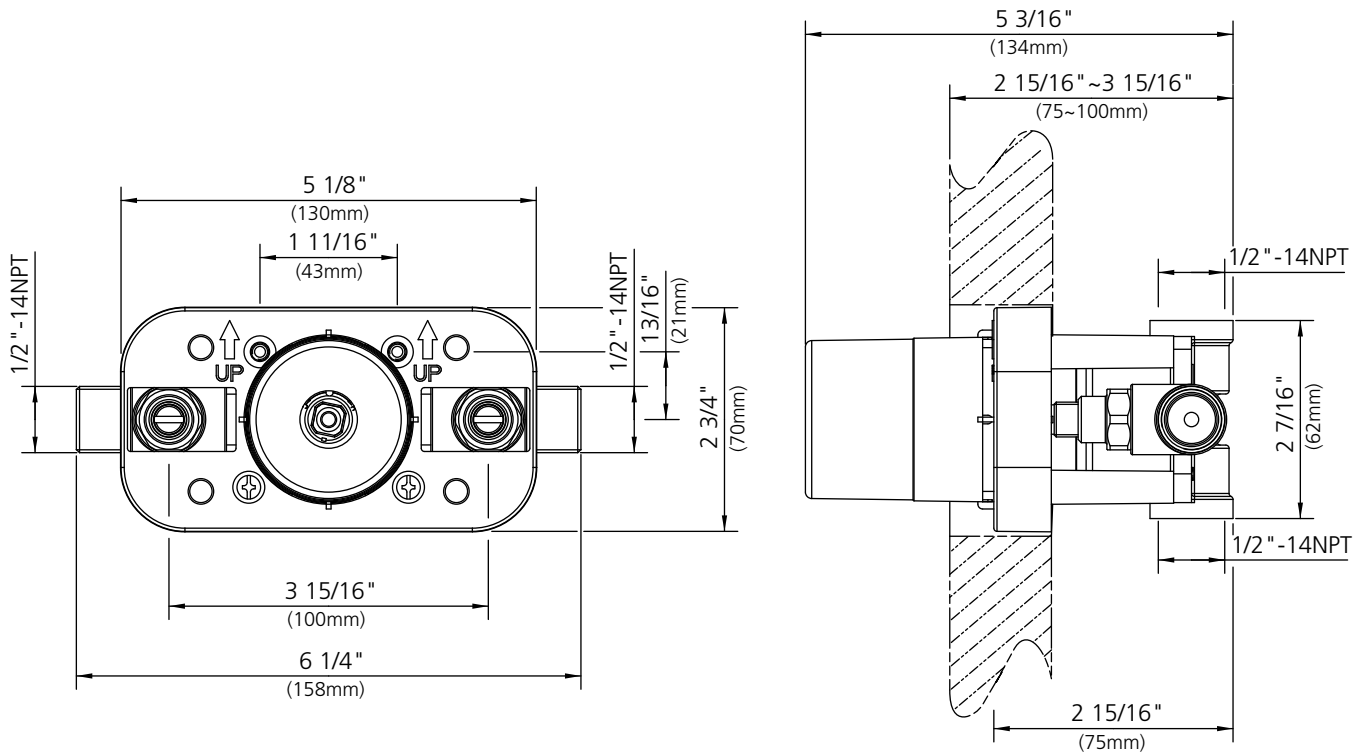
K1-4100

SINGLE HANDLE PRESSURE BALANCE ROUGH,
TO SUIT K1-4300 & K1-4301

DIMENSIONAL DATA SHEET

DATE: 30 December 2009

No: A661015



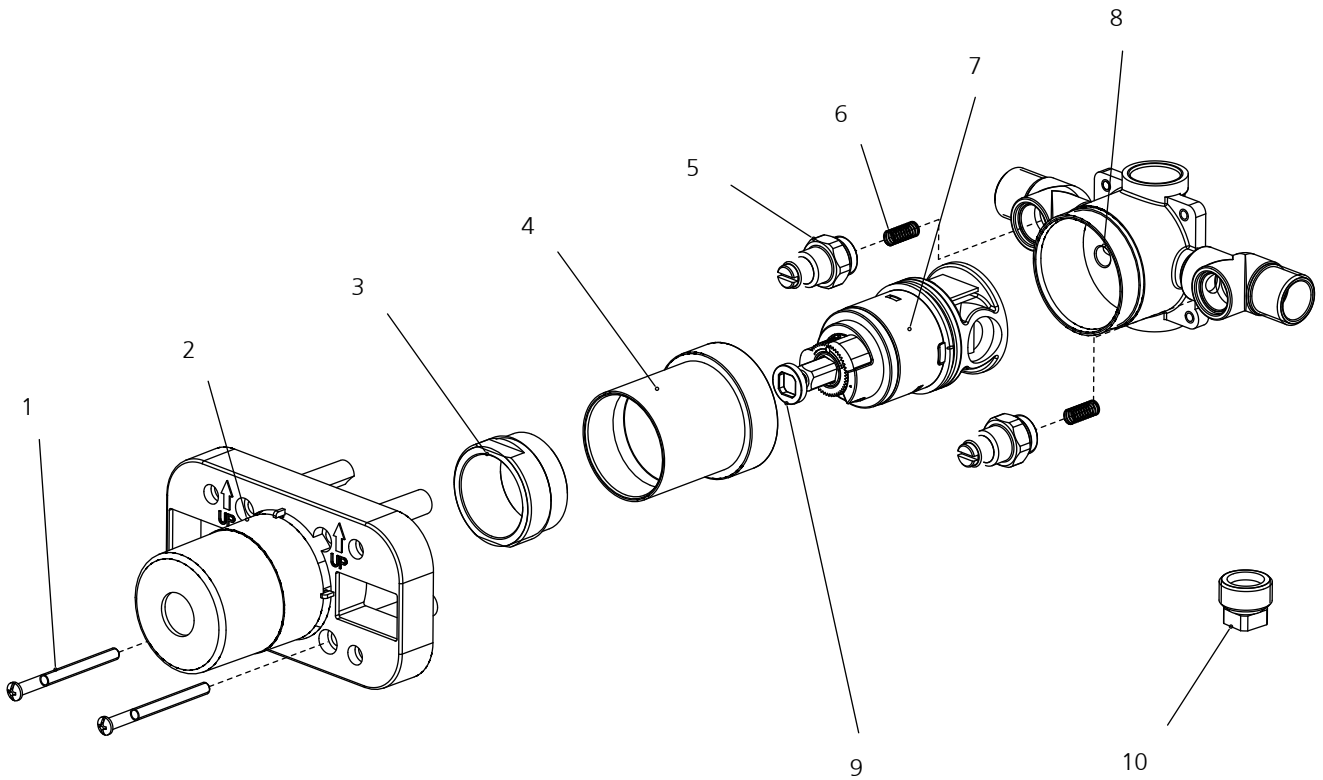
©COPYRIGHT 2009. CHRISTO LEFROY BROOKS. ALL RIGHTS RESERVED.

DIMENSIONS IN INCHES & MILLIMETRES

WHILST EVERY EFFORT IS MADE TO ENSURE THE ACCURACY OF THESE DATA SHEETS THEY ARE SUBJECT TO CHANGE WITHOUT NOTICE AS PART OF THE COMPANY'S PRODUCT DEVELOPMENT PROCESS

K1-4100

SINGLE HANDLE PRESSURE BALANCE ROUGH, TO SUIT K1-4300 & K1-4301

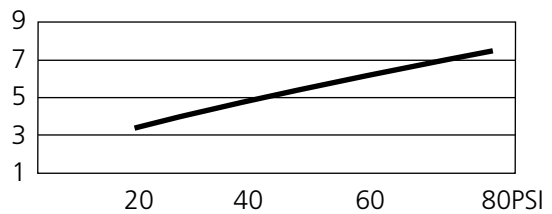


- 1 Screw (008241)
- 2 Plaster guard (127212)
- 3 Adjusting ring (104288)
- 4 Sleeve (041723)
- 5 Cartridge sub-assembly (507037)
- 6 Spring (005006)
- 7 Cartridge assembly and Base assembly (507655)
- 8 Body (061930)
- 9 Washer (013182)
- 10 Plug (028004)

Standards

IAPMO/cUPC Listed
Meets A112.18.1
Meets ASSE 1016

Flow Rate



Please note :
Final achievable flow rate is dependent on the outlets fitted, see relevant outlets (spouts, roses, sprays) for fully assembled product flow rate.