



# LEFROY BROOKS

1 8 2 8 T R O U T M A N S T R E E T  
R I D G E W O O D N E W Y O R K N Y 1 1 3 8 5 U S A  
T: +1(718) 302 5292 F: +1(718) 302 4177

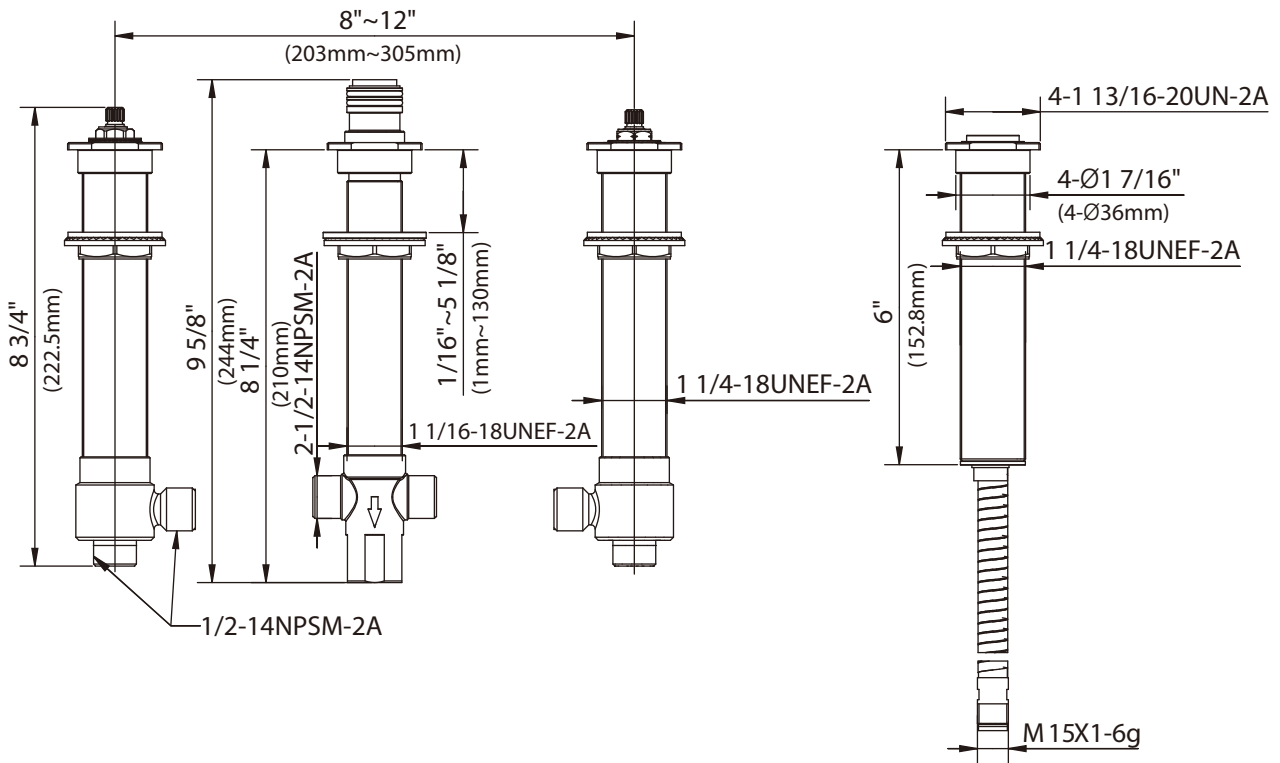
## R1-4025

LEVER 4-HOLE BATH SET WITH PULL-UP DIVERTER ROUGH ONLY,  
TO SUIT M1-2151, M1-2153, M1-2155, CW-2151, CW-2153,  
CB-2151, CB-2153

### DIMENSIONAL DATA SHEET

DATE: 17 September 2012

No: A66F362-50



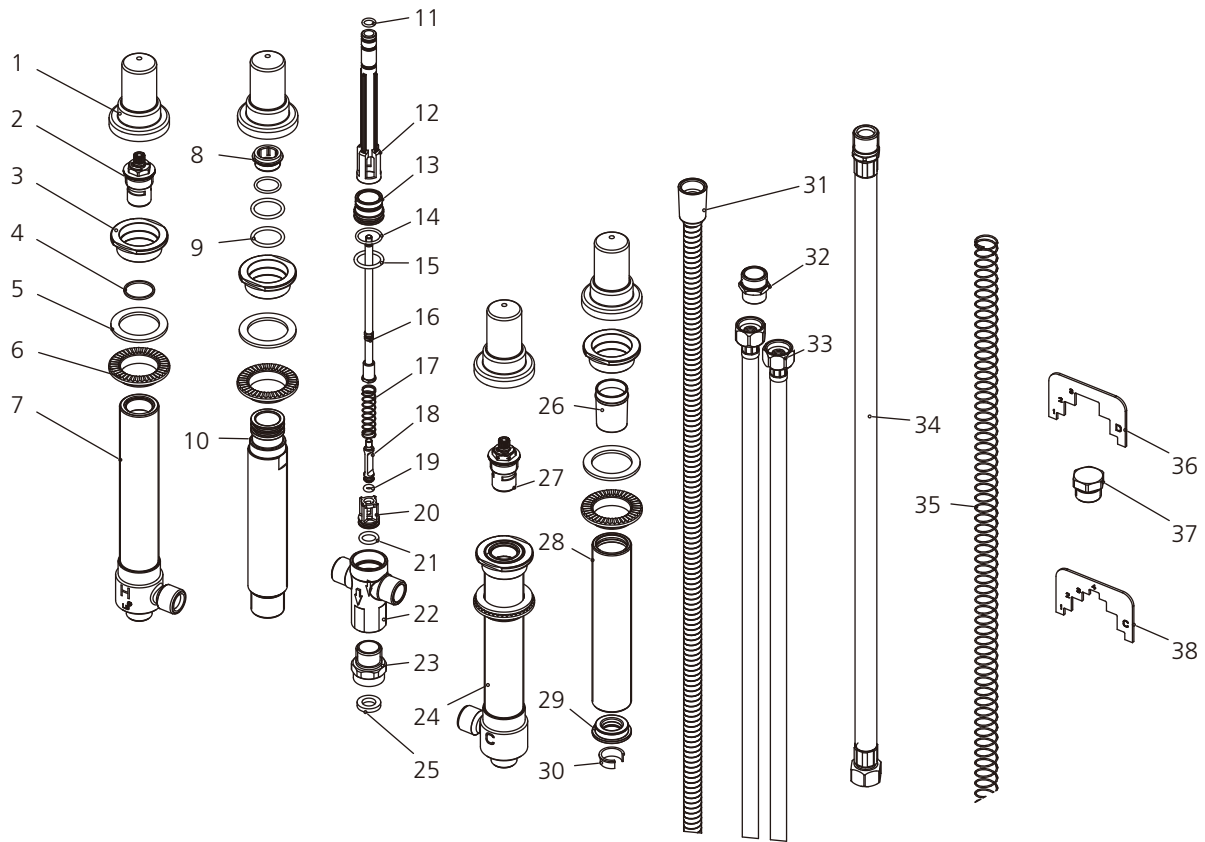
COPYRIGHT © LBIP LTD 2012. ALL RIGHTS RESERVED.

DIMENSIONS IN INCHES & MILLIMETRES

WHILST EVERY EFFORT IS MADE TO ENSURE THE ACCURACY OF THESE DATA SHEETS THEY ARE SUBJECT TO CHANGE WITHOUT NOTICE AS PART OF THE COMPANY'S PRODUCT DEVELOPMENT PROCESS

# R1-4025

LEVER 4-HOLE BATH SET WITH PULL-UP DIVERTER ROUGH ONLY, TO SUIT M1-2151, M1-2153, M1-2155, CW-2151, CW-2153, CB-2151, CB-2153

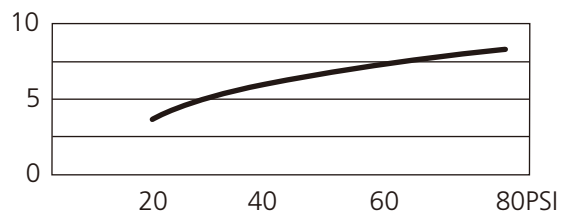


1	Protective cap (038103)	14	O-ring (004074N)	27	Cartridge ( C ) (507724-50)
2	Cartridge ( H ) (507145-50)	15	O-ring (048034N)	28	Side body (014638)
3	Nut (009331)	16	Pulling rod (125455)	29	Adaptor (200198)
4	Sleeve (041837)	17	Spring (005626)	30	Clip (012294)
5	Oil-seal (010022)	18	Diverter rod (208340)	31	Hose (105786)
6	Nut (054026)	19	O-ring (004673)	32	Adaptor (067570)
7	Side body ( H ) (061113H-50)	20	Valve shell (033774)	33	Flexible hose (105694N)
8	Plug (028492N)	21	O-ring (004002N)	34	Flexible hose (105015)
9	O-ring (072073N)	22	Connceptor (015009)	35	Spring (005195)
10	Body (014551)	23	Adaptor (039194)	36	Gauge D (027108)
11	O-ring (004001N)	24	Side body ( C ) (061113C-50)	37	Plug (028599)
12	Inner tube (052186)	25	Oil-seal (010834N)	38	Gauge C (027107)
13	Adaptor (077122)	26	Sleeve (200197)		

## Standards

IAPMO/cUPC Listed  
Meets A112.18.1

## Flow Rate



Please note :

Final achievable flow rate is dependent on the outlets fitted, see relevant outlets (spouts, roses, sprays) for fully assembled product flow rate.