



LEFROY BROOKS

1 8 2 8 T R O U T M A N S T R E E T
R I D G E W O O D N E W Y O R K N Y 1 1 3 8 5 U S A
T : + 1 (7 1 8) 3 0 2 5 2 9 2 F : + 1 (7 1 8) 3 0 2 4 1 7 7

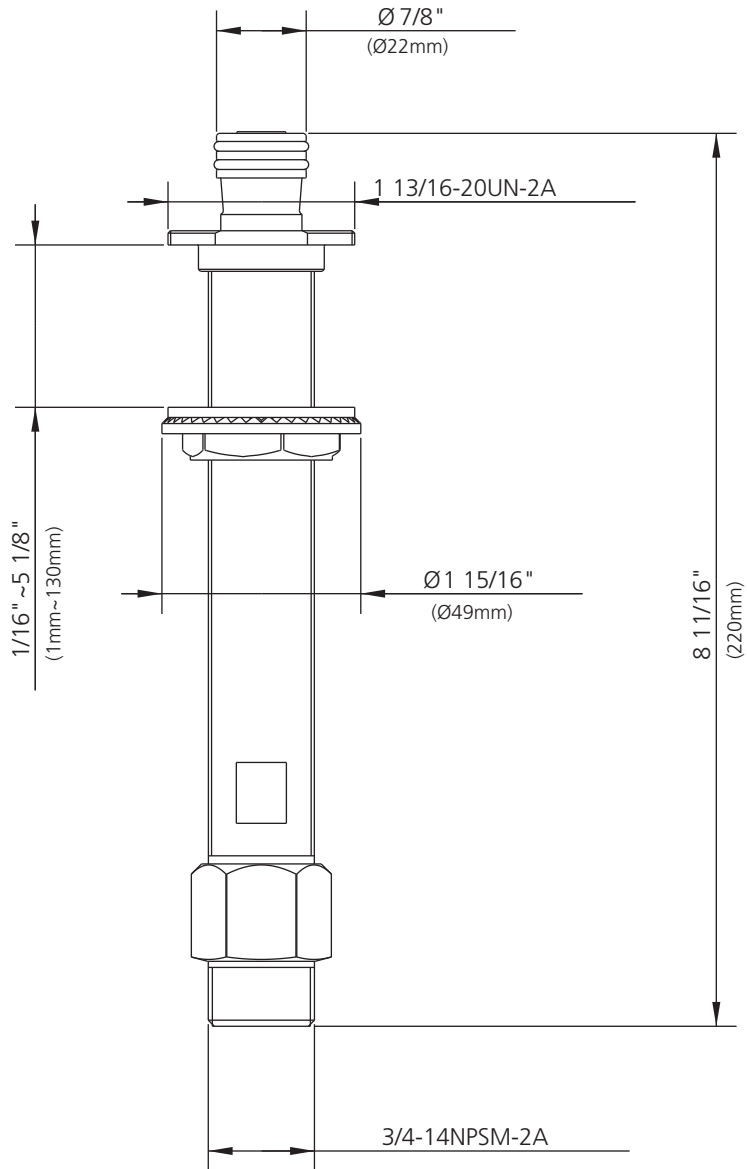
R1-4022

DECK BATH SPOUT ROUGH, TO SUIT M1-1029, M2-1029 &
K1-1030

DIMENSIONAL DATA SHEET

DATE: 28 August 2012

No: A666886



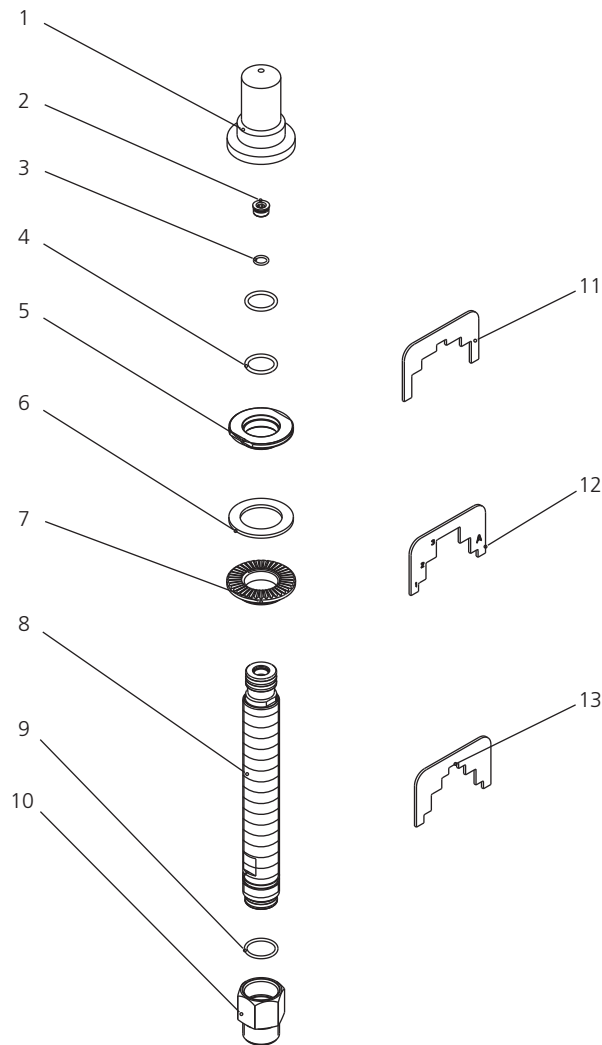
COPYRIGHT © LBIP LTD 2012. ALL RIGHTS RESERVED.

DIMENSIONS IN INCHES & MILLIMETRES

WHILST EVERY EFFORT IS MADE TO ENSURE THE ACCURACY OF THESE DATA SHEETS THEY ARE SUBJECT TO CHANGE WITHOUT NOTICE AS PART OF THE COMPANY'S PRODUCT DEVELOPMENT PROCESS

R1-4022

DECK BATH SPOUT ROUGH, TO SUIT M1-1029, M2-1029 & K1-1030



1	Rubber protective cap (038103)	11	Gauge B (027104)
2	Plug (028211)	12	Gauge A (027105)
3	O-ring (072060N)	13	Gauge C (027107)
4	O-ring (063060)		
5	Nut (009333)		
6	Oil-seal (010023)		
7	Nut (054027)		
8	Shank (014581)		
9	O-ring (063091N)		
10	Adaptor (039008)		

Standards

Meets A112.18.1

Please note :

Final achievable flow rate is dependent on the outlets fitted, see relevant outlets (spouts, roses, sprays) for fully assembled product flow rate.