



LEFROY BROOKS

1 8 2 8 T R O U T M A N S T R E E T
R I D G E W O O D N E W Y O R K N Y 1 1 3 8 5 U S A
T: +1(718) 302 5292 F: +1(718) 302 4177

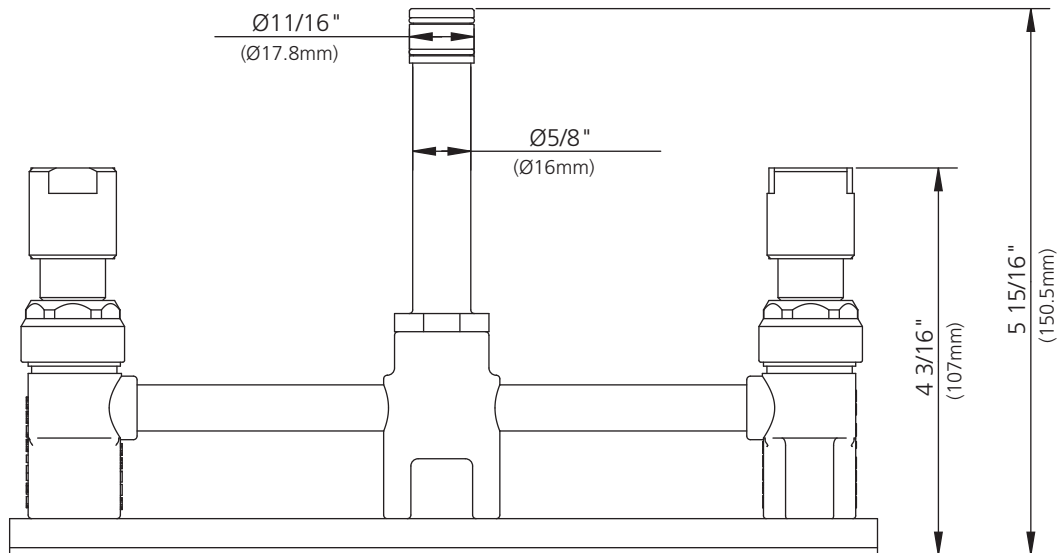
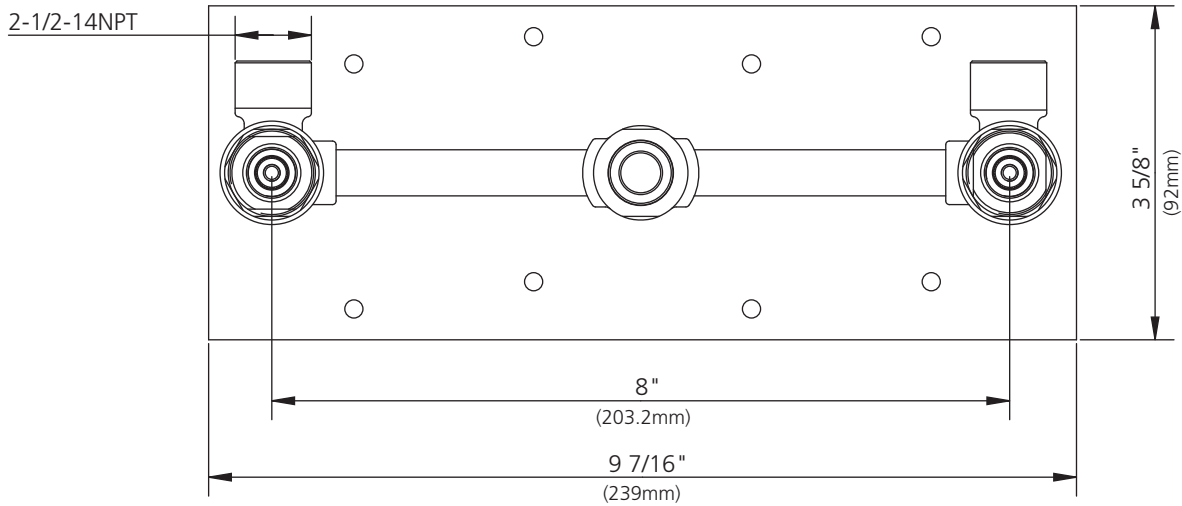
R1-4017

CROSS HANDLE WALL-MOUNTED, 3-HOLE BATH FILLER ROUGH,
TO SUIT K1-2400

DIMENSIONAL DATA SHEET

DATE: 19 November 2010

No: A66F304

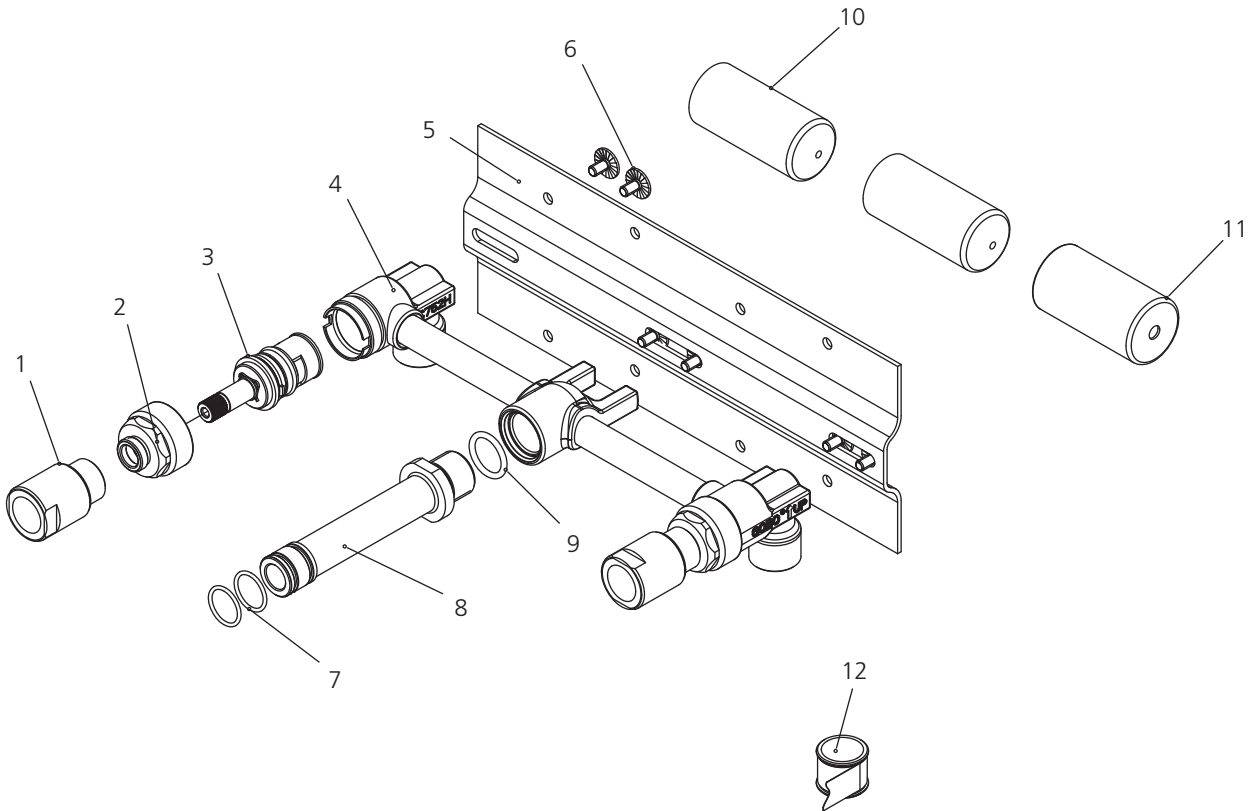


DIMENSIONS IN INCHES & MILLIMETRES

WHILST EVERY EFFORT IS MADE TO ENSURE THE ACCURACY OF THESE DATA SHEETS THEY ARE SUBJECT TO CHANGE WITHOUT NOTICE AS PART OF THE COMPANY'S PRODUCT DEVELOPMENT PROCESS

R1-4017

CROSS HANDLE WALL-MOUNTED, 3-HOLE BATH FILLER ROUGH, TO SUIT K1-2400, M1-2400 & C1-2400

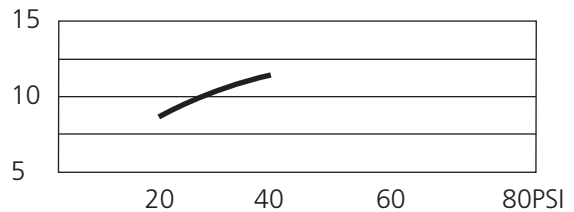


- | | | | |
|---|------------------------|----|-------------------------|
| 1 | Adaptor (067186) | 7 | O-ring (048096N) |
| 2 | Retaining nut (016231) | 8 | Adaptor (039958) |
| 3 | Cartridge (507909N) | 9 | O-ring (004010N) |
| 4 | Body (061058) | 10 | Protective cap (038007) |
| 5 | Back plate (126671-S) | 11 | Protective cap (045433) |
| 6 | Screw (008013) | 12 | Teflon tape (203000) |

Standards

IAPMO/cUPC Listed
Meets A112.18.1

Flow Rate



Please note :

Final achievable flow rate is dependent on the outlets fitted, see relevant outlets (spouts, roses, sprays) for fully assembled product flow rate.