



LEFROY BROOKS

1 8 2 8 T R O U T M A N S T R E E T
R I D G E W O O D N E W Y O R K N Y 1 1 3 8 5 U S A
T : + 1 (7 1 8) 3 0 2 5 2 9 2 F : + 1 (7 1 8) 3 0 2 4 1 7 7

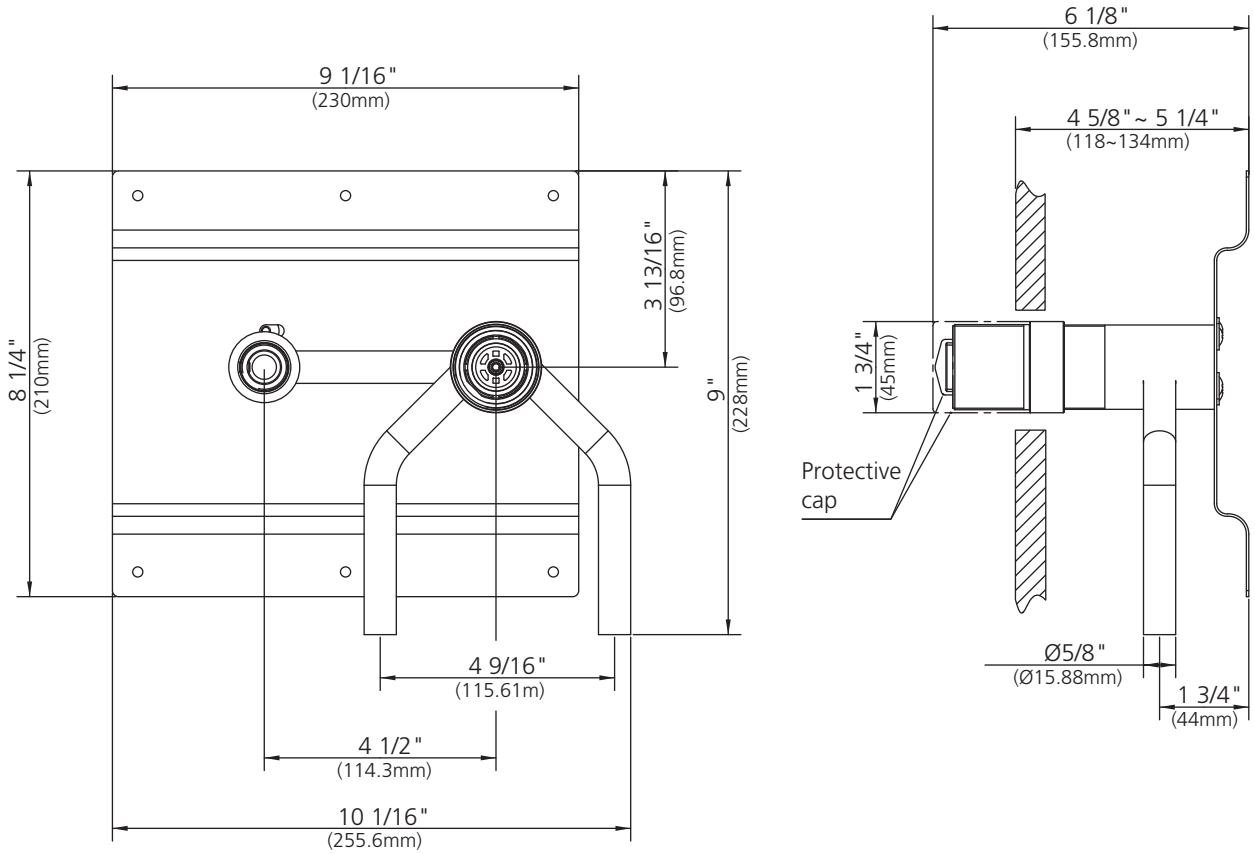
R1-4010

CROSS HANDLE WALL SEQUENTIAL BASIN MIXER ROUGH,
TO SUIT K1-1310

DIMENSIONAL DATA SHEET

DATE: 25 July 2012

No: A66F068W



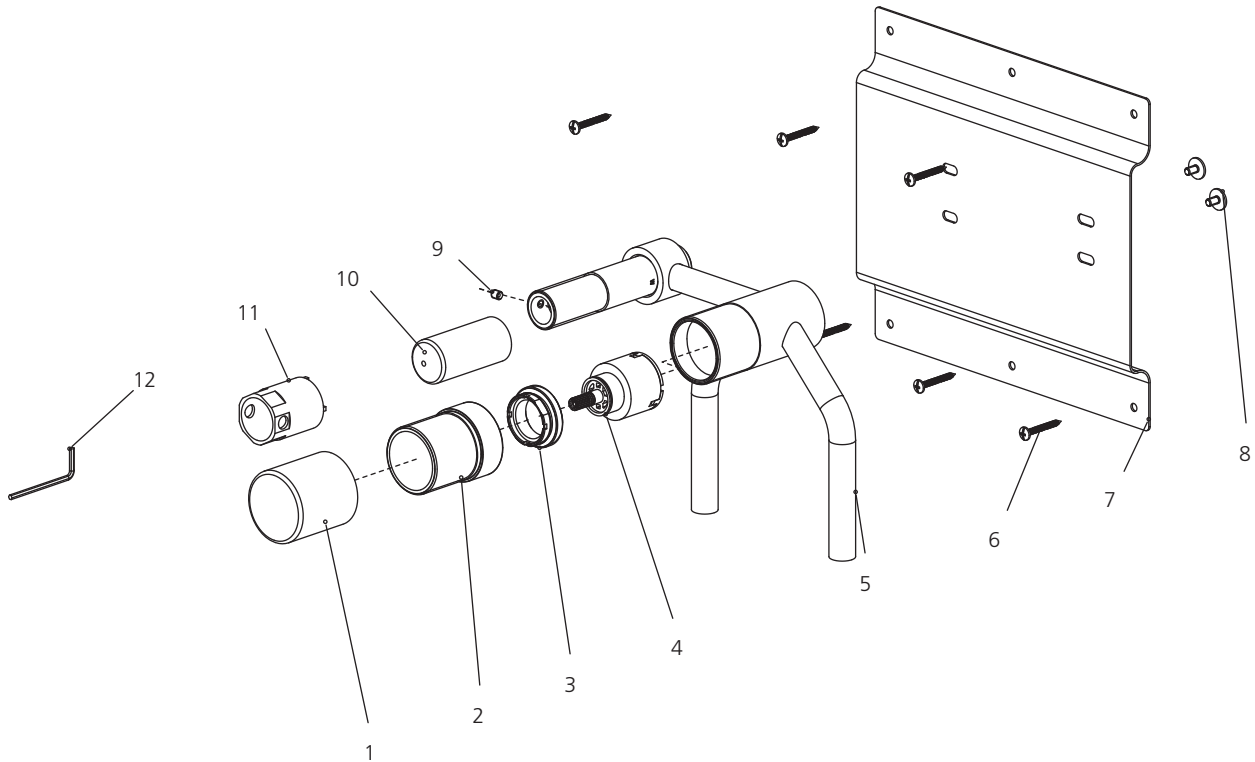
COPYRIGHT © LBIP LTD 2012. ALL RIGHTS RESERVED.

DIMENSIONS IN INCHES & MILLIMETRES

WHILST EVERY EFFORT IS MADE TO ENSURE THE ACCURACY OF THESE DATA SHEETS THEY ARE SUBJECT TO CHANGE WITHOUT NOTICE AS PART OF THE COMPANY'S PRODUCT DEVELOPMENT PROCESS

R1-4010

CROSS HANDLE WALL SEQUENTIAL BASIN MIXER ROUGH, TO SUIT K1-1310

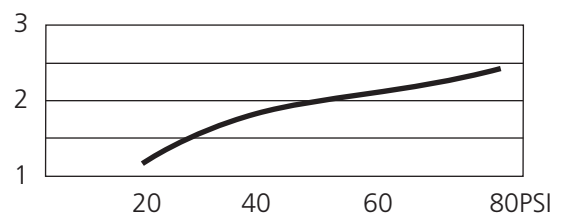


- 1 Protective cap (038009)
- 2 Sleeve (035524)
- 3 Adjusting ring (104283)
- 4 Sequential cartridge (507970N)
- 5 Body (061932W)
- 6 Screw (075022)
- 7 Fixing plate (120268)
- 8 Screw (008013)
- 9 Screw (008003)
- 10 Protective cap (038007)
- 11 Wrench (031238)
- 12 Allen key (031000)

Standards

IAPMO/cUPC Listed
Meets NSF 61-9
Meets A112.18.1

Flow Rate



Please note :
Final achievable flow rate is dependent on the outlets fitted, see relevant outlets (spouts, roses, sprays) for fully assembled product flow rate.