



**LEFROY BROOKS**

1 8 2 8 T R O U T M A N S T R E E T  
R I D G E W O O D N E W Y O R K N Y 1 1 3 8 5 U S A  
T: +1(718) 302 5292 F: +1(718) 302 4177

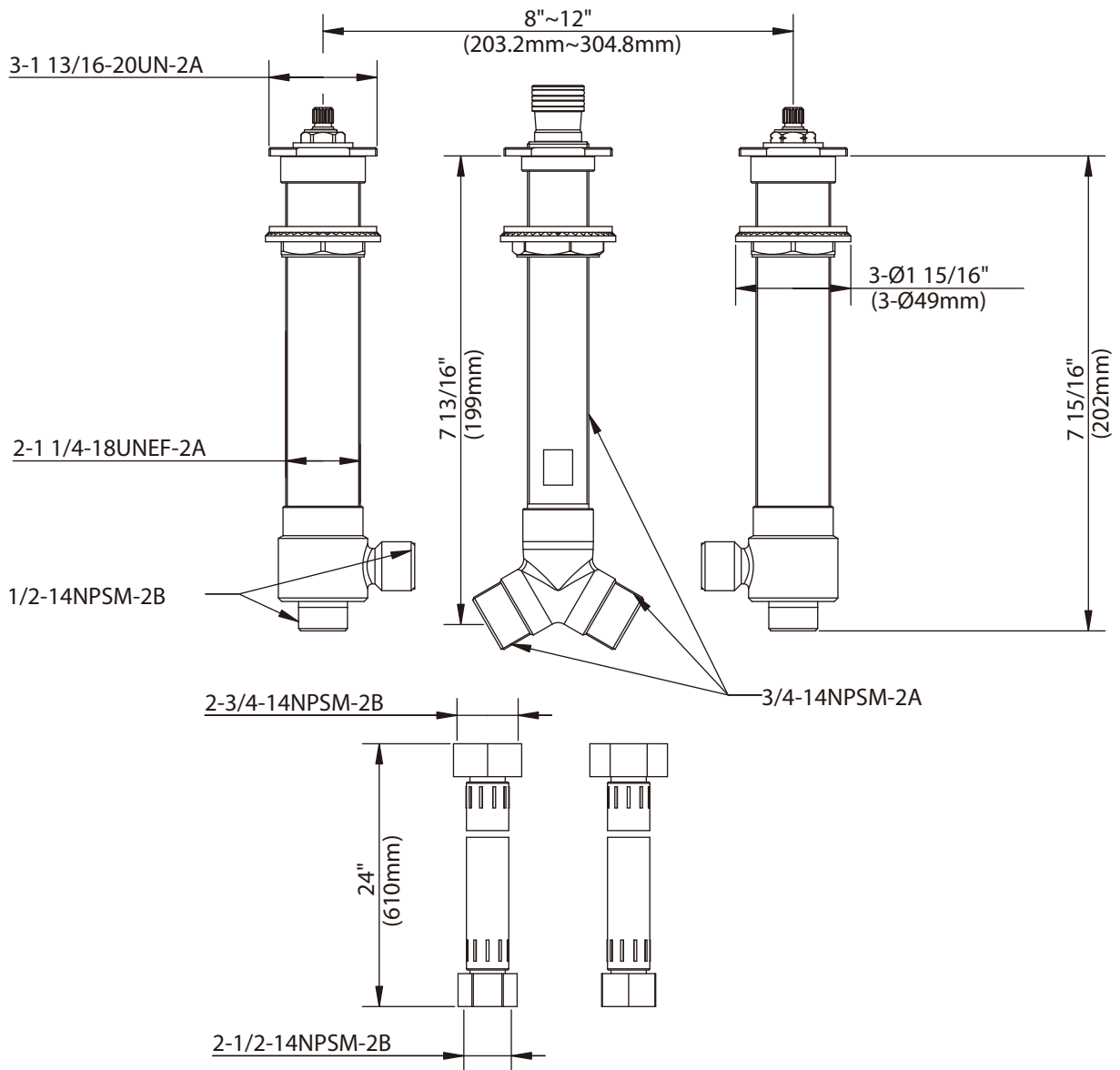
**R1-4009**

LEVER HANDLE 3-HOLE BATH SET ROUGH, TO SUIT K1-2102,  
M1-2101, M2-2102, X1-1055, CB-2101

**DIMENSIONAL DATA SHEET**

DATE: 06 February 2013

No: A66F369-50



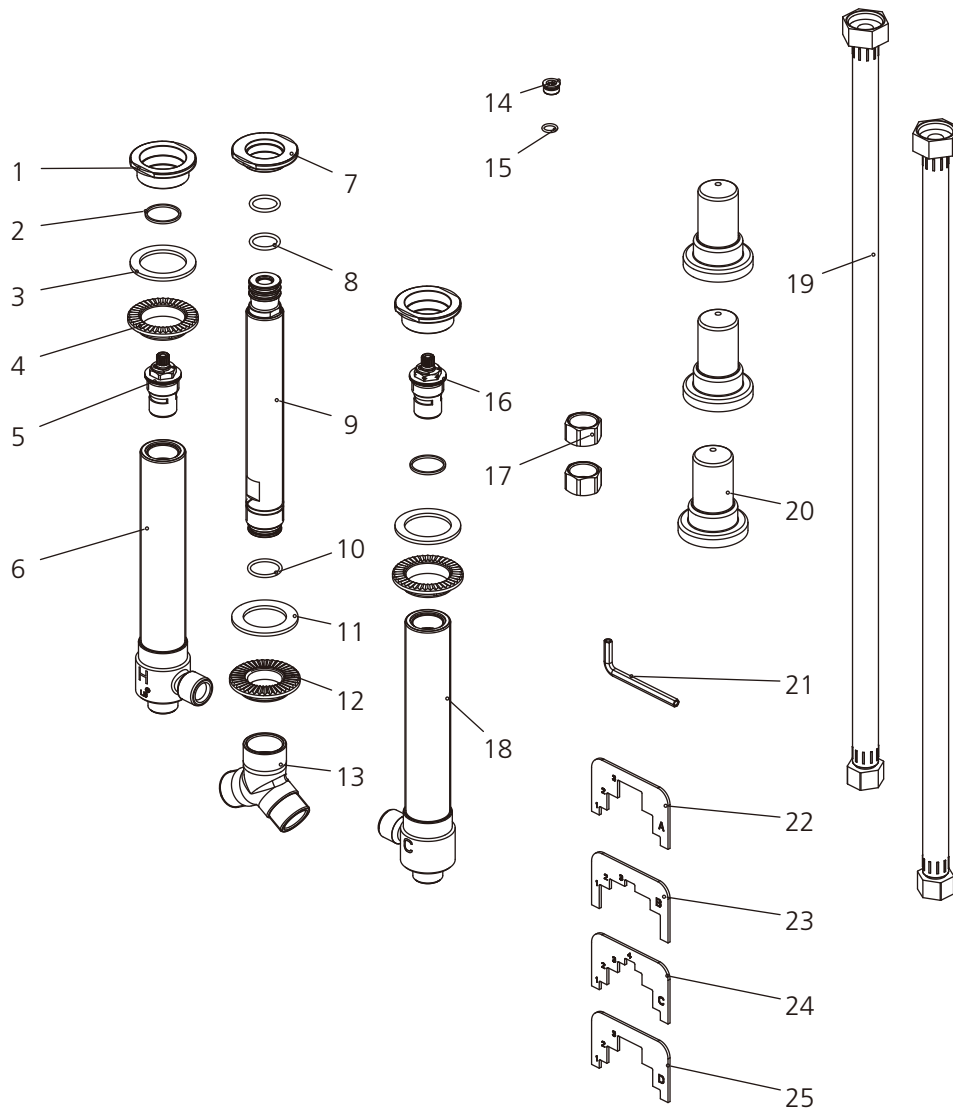
COPYRIGHT © LBIP LTD 2012. ALL RIGHTS RESERVED.

DIMENSIONS IN INCHES & MILLIMETRES

WHILST EVERY EFFORT IS MADE TO ENSURE THE ACCURACY OF THESE DATA SHEETS THEY ARE SUBJECT TO CHANGE WITHOUT NOTICE AS PART OF THE COMPANY'S PRODUCT DEVELOPMENT PROCESS

# R1-4009

LEVER HANDLE 3-HOLE BATH SET ROUGH, TO SUIT K1-2102, M1-2101, M2-2102, X1-1055, CB-2101

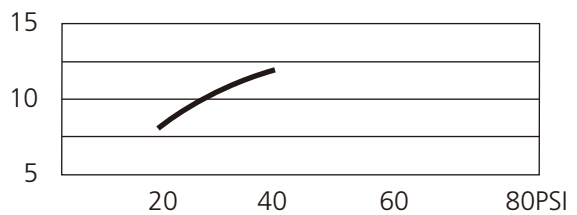


1	Nut (009331)	10	O-ring (063091N)	19	Flexible hose (105137)
2	Gasket (200143N)	11	Oil seal (010023)	20	Protective cap (038103)
3	Oil seal (010022)	12	Nut (054027)	21	Allen key (031213)
4	Nut (054026)	13	Connector (015207)	22	Gauge A (027105)
5	Cartridge (hot) (507725-50)	14	Plug (028211)	23	Gauge B (027104)
6	Side body (061113H-50)	15	O-ring (072060N)	24	Gauge C (027107)
7	Nut (009333)	16	Cartridge (cold) (507724-50)	25	Gauge D (027108)
8	O-ring (072056)	17	Coupling nuts (504003)		
9	Connecting tube (014581)	18	Side body (061113C-50)		

## Standards

IAPMO/cUPC Listed  
Meets A112.18.1

## Flow Rate



Please note :

Final achievable flow rate is dependent on the outlets fitted, see relevant outlets (spouts, roses, sprays) for fully assembled product flow rate.