



# LEFROY BROOKS

1 8 2 8 T R O U T M A N S T R E E T  
R I D G E W O O D N E W Y O R K N Y 1 1 3 8 5 U S A  
T: +1(718) 302 5292 F: +1(718) 302 4177

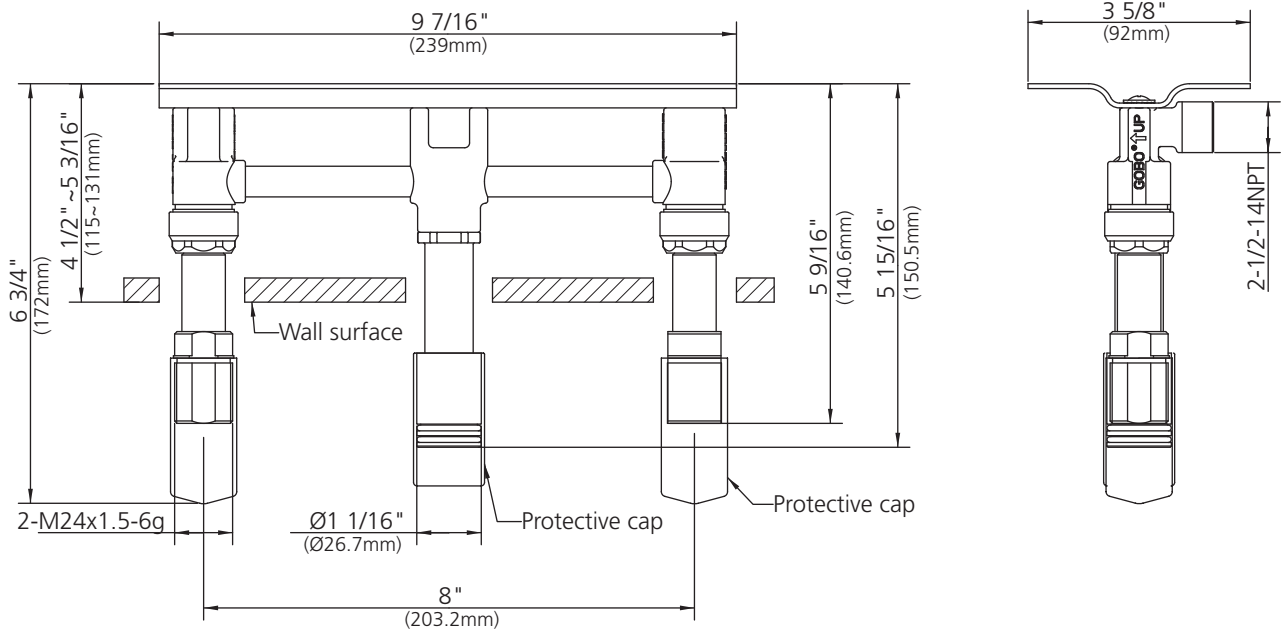
## R1-4035

CROSS HANDLE WALL-MOUNTED 3-HOLE BATH FILLER ROUGH, TO  
SUIT M1-2400 & C1-2400

### DIMENSIONAL DATA SHEET

DATE: 27 June 2012

No: A66F533



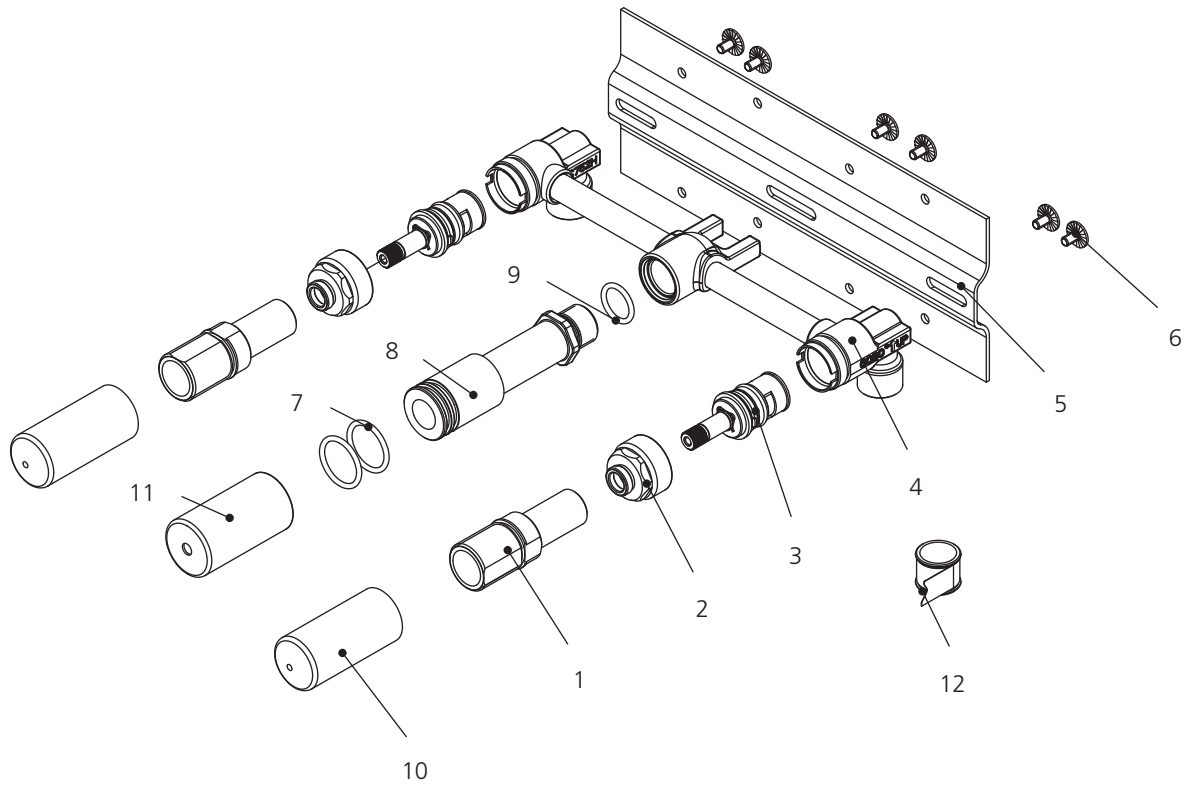
COPYRIGHT © LBIP LTD 2012. ALL RIGHTS RESERVED.

DIMENSIONS IN INCHES & MILLIMETRES

WHILST EVERY EFFORT IS MADE TO ENSURE THE ACCURACY OF THESE DATA SHEETS THEY ARE SUBJECT TO CHANGE WITHOUT NOTICE AS PART OF THE COMPANY'S PRODUCT DEVELOPMENT PROCESS

# R1-4035

CROSS HANDLE WALL-MOUNTED 3-HOLE BATH FILLER ROUGH, TO SUIT M1-2400 & C1-2400

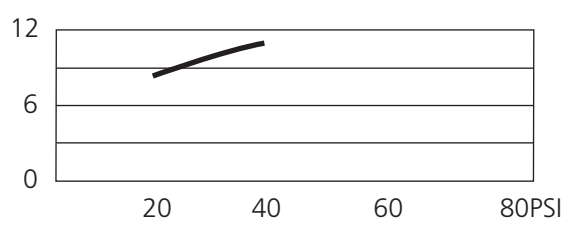


- |   |                              |    |                         |
|---|------------------------------|----|-------------------------|
| 1 | Adaptor (067733)             | 7  | O-ring (048046)         |
| 2 | Retainer nut (016231)        | 8  | Adaptor (067185)        |
| 3 | Cartridge assembly (507909N) | 9  | O-ring (004010N)        |
| 4 | Body (061058)                | 10 | Protective cap (038007) |
| 5 | Back plate (126671-S)        | 11 | Protective cap (045433) |
| 6 | Screw (008013)               | 12 | Teflon tape (203000)    |

## Standards

IAPMO/cUPC Listed  
Meets A112.18.1

## Flow Rate



Please note :  
Final achievable flow rate is dependent on the outlets fitted, see relevant outlets (spouts, roses, sprays) for fully assembled product flow rate.