



LEFROY BROOKS

1 8 2 8 T R O U T M A N S T R E E T
R I D G E W O O D N E W Y O R K N Y 1 1 3 8 5 U S A
T: +1(718) 302 5292 F: +1(718) 302 4177

M1-2152

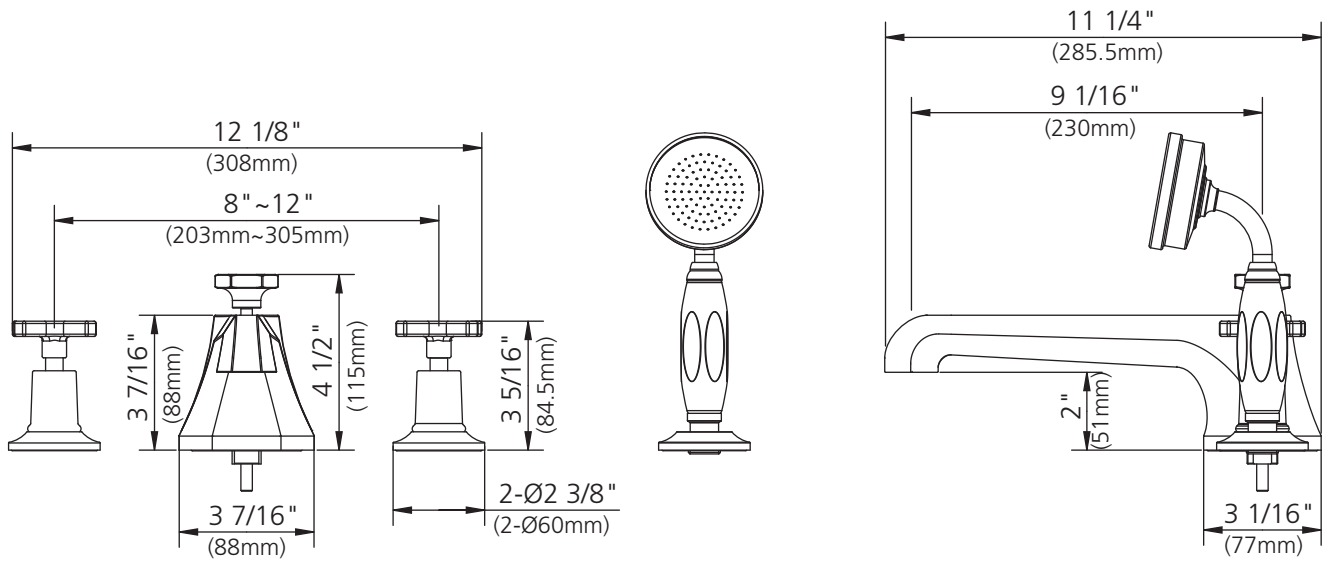
CROSS HANDLE 4-HOLE BATH SET WITH DIVERTER AND PULL-OUT
METAL-FINISH HAND SHOWER TO SUIT R1-4024 ROUGH

DIMENSIONAL DATA SHEET

DATE: 18 March 2011

No:

©COPYRIGHT 2009. CHRISTO LEFROY BROOKS. ALL RIGHTS RESERVED.

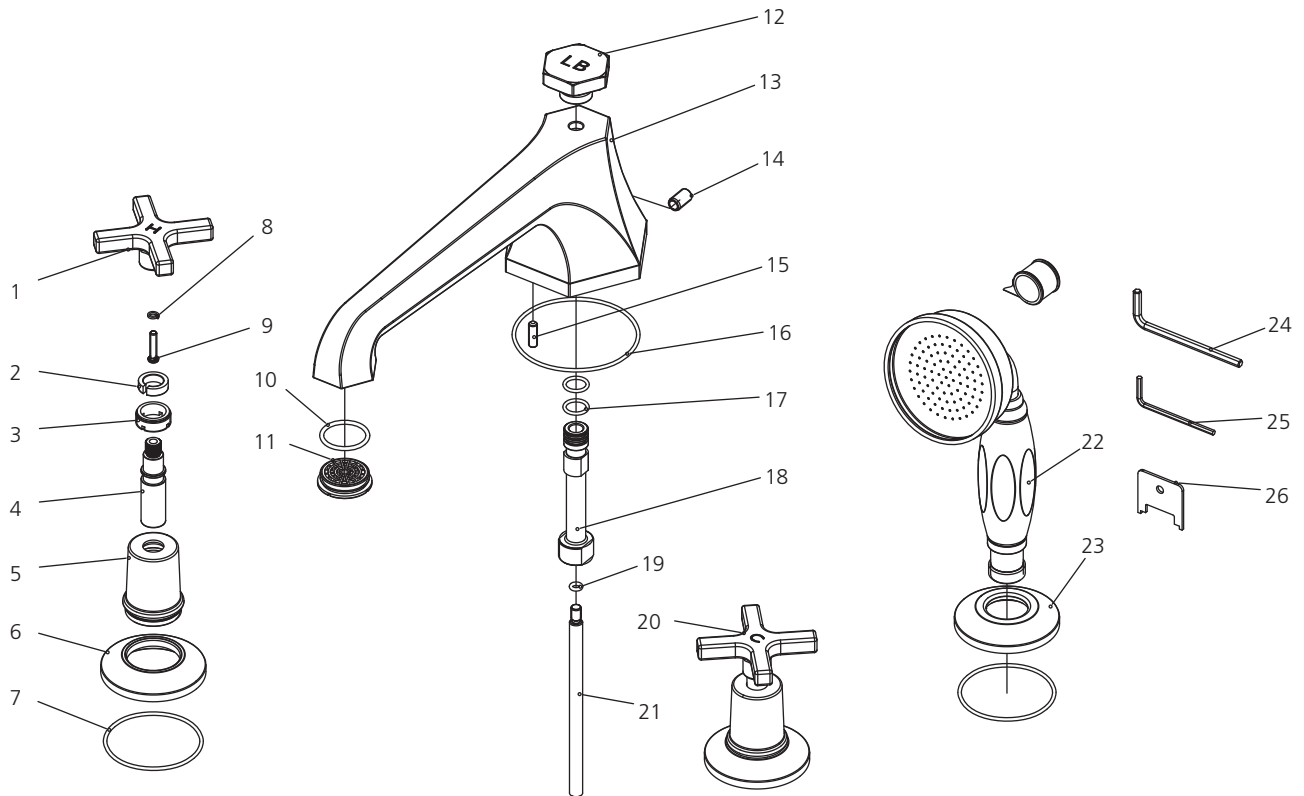


DIMENSIONS IN INCHES & MILLIMETRES

WHILST EVERY EFFORT IS MADE TO ENSURE THE ACCURACY OF THESE DATA SHEETS THEY ARE SUBJECT TO CHANGE WITHOUT NOTICE AS PART OF THE COMPANY'S PRODUCT DEVELOPMENT PROCESS

M1-2152

CROSS HANDLE 4-HOLE BATH SET WITH DIVERTER AND PULL-OUT METAL-FINISH HAND SHOWER TO SUIT R1-4024 ROUGH



- 1 Handle (H) (029685H-T)
- 2 Clip (012242)
- 3 Adaptor (057507)
- 4 Stem extension (110320)
- 5 Canopy (018209)
- 6 Escutcheon (215478)
- 7 O-ring (004640N)
- 8 Washer (013570)
- 9 Screw (008486)

- 10 O-ring (072091)
- 11 Aertor (500058)
- 12 Diverter knob (124016-50)
- 13 Spout (100002)
- 14 Screw (065027)
- 15 Pin for fixing position (292540)
- 16 O-ring (072013)
- 17 O-ring (004079N)
- 18 Adaptor (057929)

- 19 O-ring (004546N)
- 20 Handle (C) (029685C-T)
- 21 Diverter rod (125138)
- 22 Hand shower M1-1021 (S2110309)
- 23 Escutcheon (071433)
- 24 Allen key (031011)
- 25 Allen key (031000)
- 26 Wrench (031214)

Standards

IAPMO/cUPC Listed
Meets A112.18.1