



**LEFROY BROOKS**

1 8 2 8 T R O U T M A N S T R E E T  
R I D G E W O O D N E W Y O R K N Y 1 1 3 8 5 U S A  
T: +1(718) 302 5292 F: +1(718) 302 4177

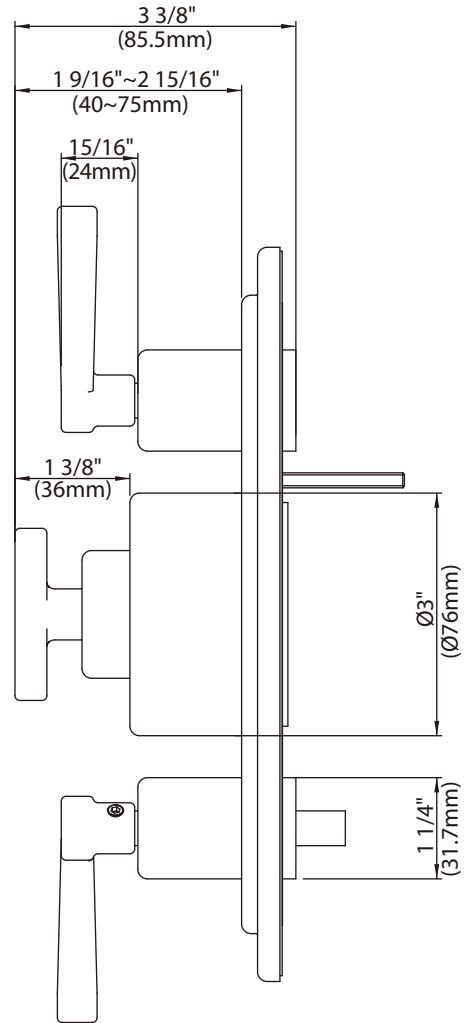
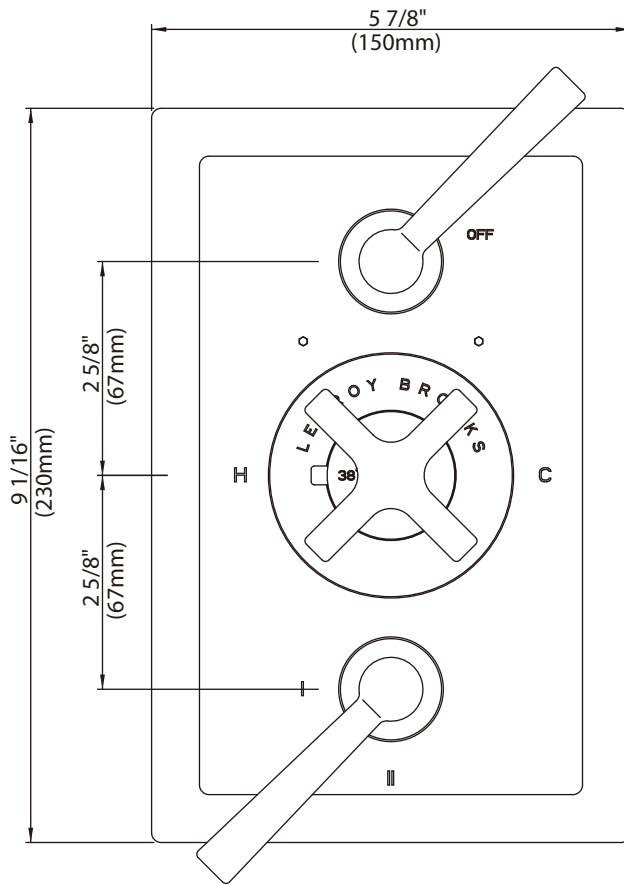
**M1-4404**

CROSS HANDLE THERMOSTATIC WITH LEVER FLOW CONTROL &  
2-WAY DIVERTER TRIM ONLY, TO SUIT M1-4203 ROUGH

**DIMENSIONAL DATA SHEET**

DATE: 19 July 2013

No: A667952



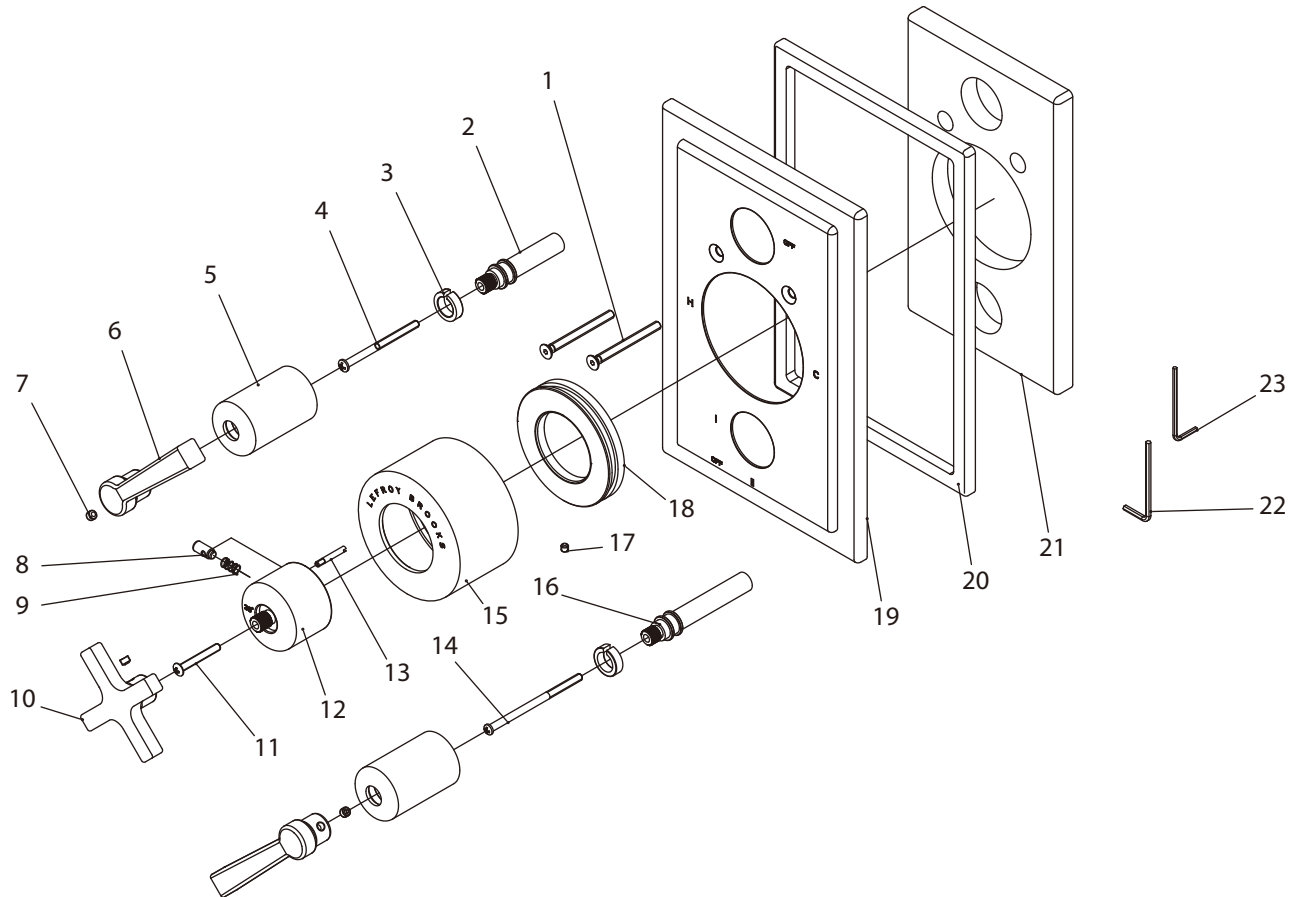
COPYRIGHT © LBIP LTD 2012. ALL RIGHTS RESERVED.

DIMENSIONS IN INCHES & MILLIMETRES

WHILST EVERY EFFORT IS MADE TO ENSURE THE ACCURACY OF THESE DATA SHEETS THEY ARE SUBJECT TO CHANGE WITHOUT NOTICE AS PART OF THE COMPANY'S PRODUCT DEVELOPMENT PROCESS

# M1-4404

CROSS HANDLE THERMOSTATIC WITH LEVER FLOW CONTROL & 2-WAY DIVERTER TRIM ONLY, TO SUIT M1-4203 ROUGH

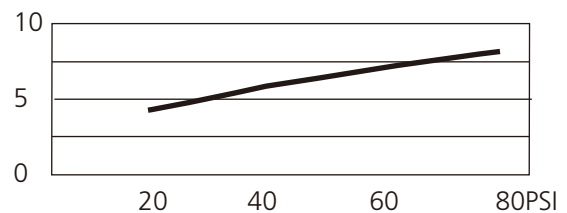


1	Screw (008186)	10	Handle (029685)	19	Front plate (006582-51)
2	Spindle (110388)	11	Screw (008994)	20	Seal (010939)
3	Clip (012242)	12	Adaptor (067960-50)	21	Seal (013817)
4	Screw (008189)	13	Pin (003147)	22	Allen key (031003)
5	Canopy (018960)	14	Screw (008196)	23	Allen key (031000)
6	Handle (029686)	15	Canopy (018959-50)		
7	Set screw (292598)	16	Spindle (110386)		
8	Button (036272)	17	Set screw (065086)		
9	Spring (005157)	18	Adjusting ring (104295)		

## Standards

IAPMO/cUPC Listed  
Meets A112.18.1

## Flow Rate



Please note :

Final achievable flow rate is dependent on the outlets fitted, see relevant outlets (spouts, roses, sprays) for fully assembled product flow rate.