



LEFROY BROOKS

1 8 2 8 T R O U T M A N S T R E E T
R I D G E W O O D N E W Y O R K N Y 1 1 3 8 5 U S A
T: +1(718) 302 5292 F: +1(718) 302 4177

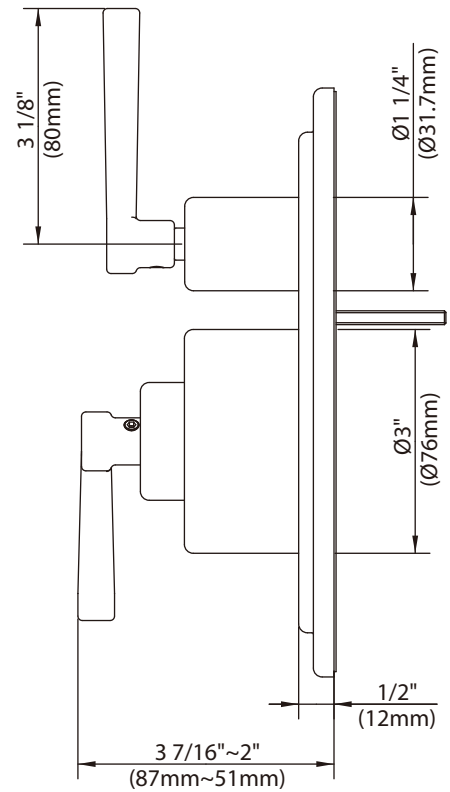
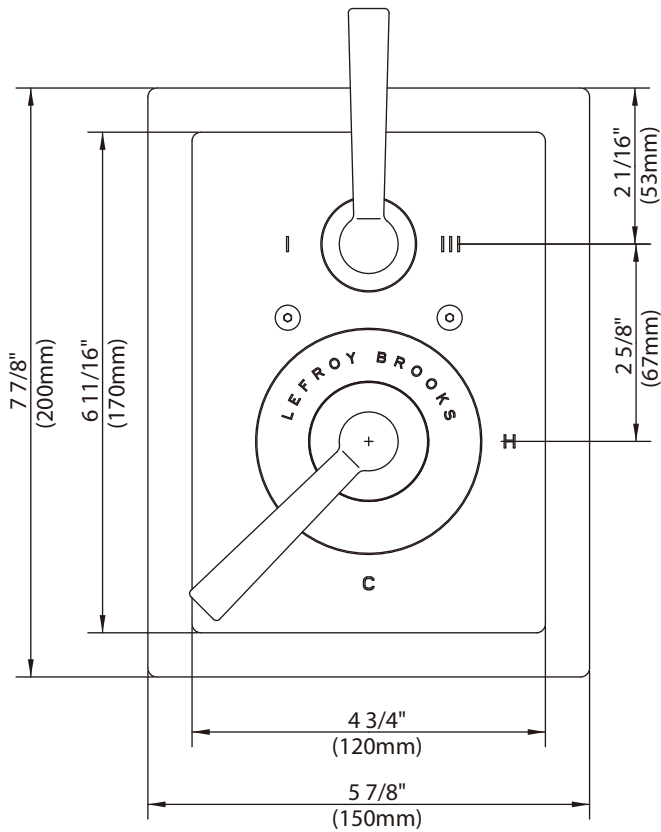
M1-4309

LEVER PRESSURE BALANCE WITH LEVER 3-WAY DIVERTER TRIM ONLY, TO SUIT M1-4102 ROUGH

DIMENSIONAL DATA SHEET

DATE: 15 July 2013

No: A667953



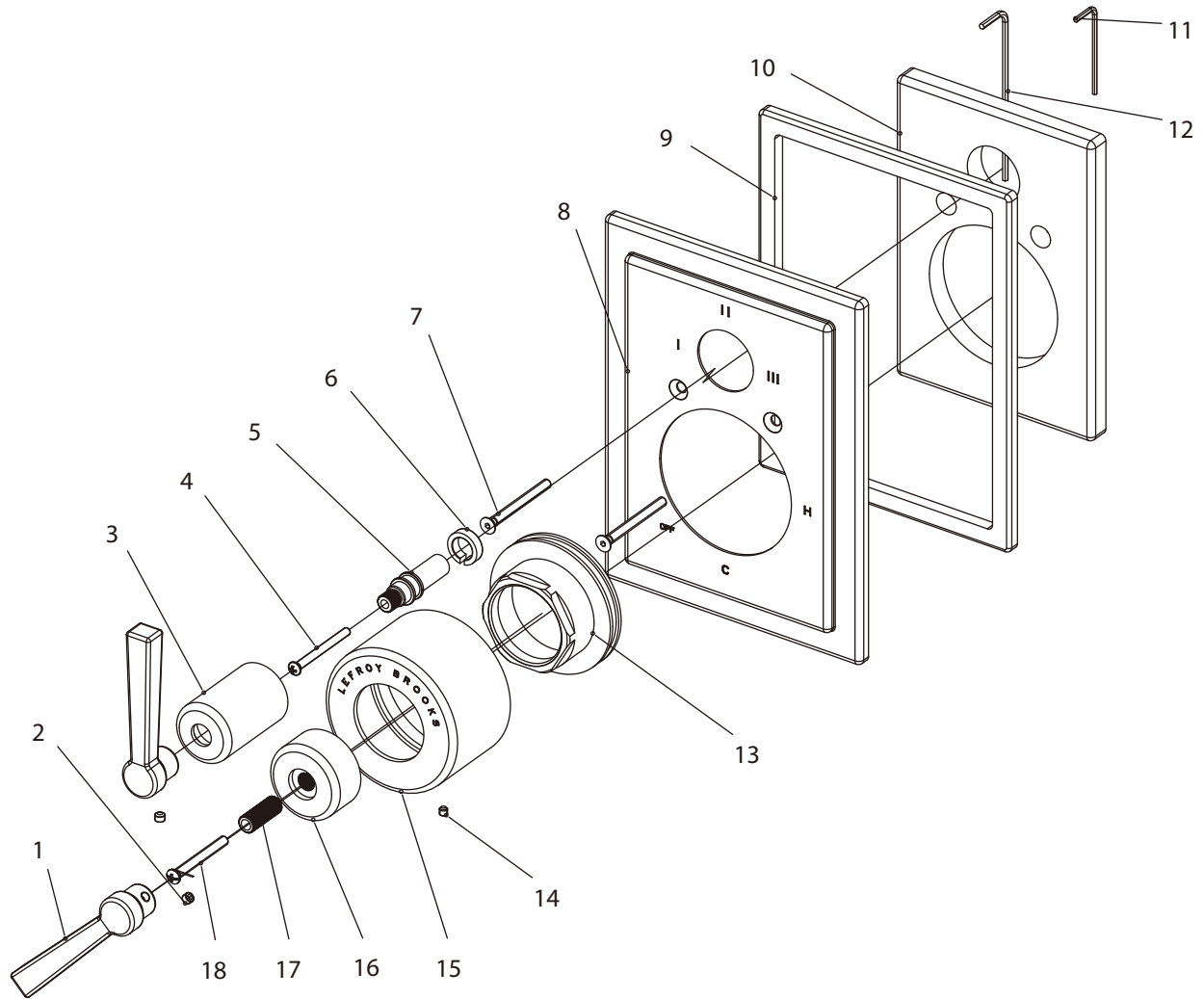
COPYRIGHT © LBIP LTD 2012. ALL RIGHTS RESERVED.

DIMENSIONS IN INCHES & MILLIMETRES

WHILST EVERY EFFORT IS MADE TO ENSURE THE ACCURACY OF THESE DATA SHEETS THEY ARE SUBJECT TO CHANGE WITHOUT NOTICE AS PART OF THE COMPANY'S PRODUCT DEVELOPMENT PROCESS

M1-4309

LEVER PRESSURE BALANCE WITH LEVER 3-WAY DIVERTER TRIM ONLY, TO SUIT M1-4102 ROUGH



1	Handle (029686)	7	Screw (008186)	13	Adjusting ring (104292)
2	Set screw (292598)	8	Front plate (006584-53)	14	Set screw (065086)
3	Canopy (018960)	9	Oil-seal (010940)	15	Canopy (018959-50)
4	Screw (065035)	10	Spacer (013816)	16	Canopy (018961)
5	Stem extension (110430)	11	Allen key (031003)	17	Stem extension (110389)
6	Clip (012242)	12	Allen key (031220)	18	Screw (008115)

Standards

IAPMO/cUPC Listed
Meets A112.18.1
ADA Compliant

Please note :
Final achievable flow rate is dependent on the outlets fitted, see relevant outlets (spouts, roses, sprays) for fully assembled product flow rate.