



LEFROY BROOKS

1 8 2 8 T R O U T M A N S T R E E T
R I D G E W O O D N E W Y O R K N Y 1 1 3 8 5 U S A
T: +1(718) 302 5292 F: +1(718) 302 4177

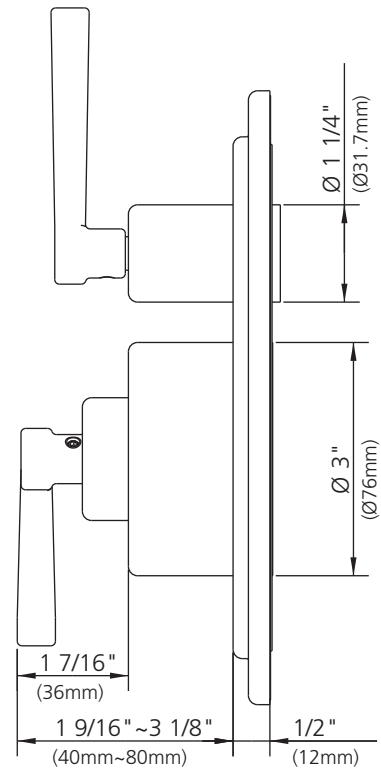
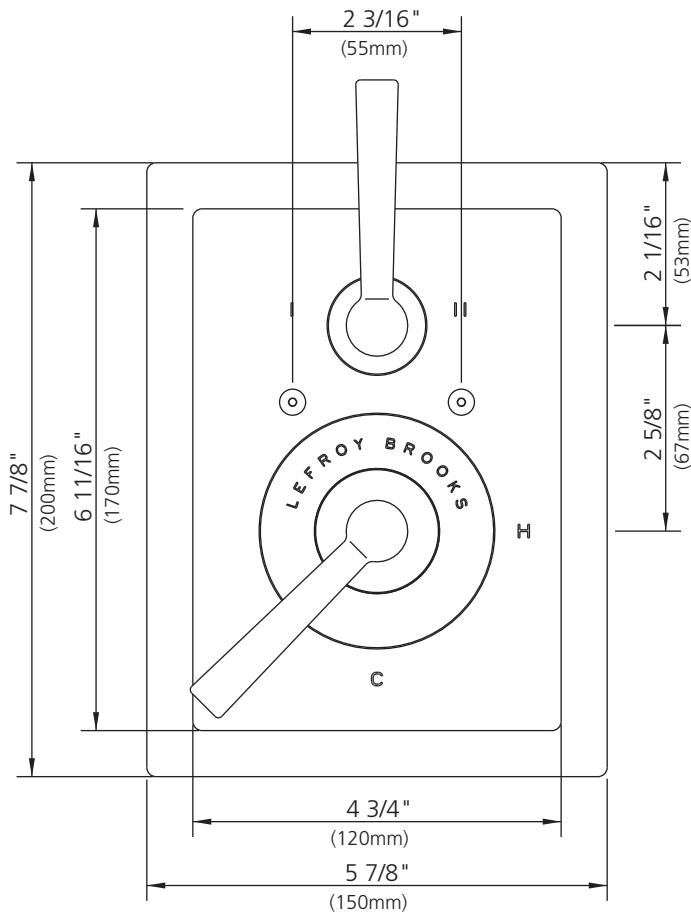
M1-4303

LEVER PRESSURE BALANCE WITH LEVER 2-WAY DIVERTER TRIM ONLY, TO SUIT M1-4101 ROUGH

DIMENSIONAL DATA SHEET

DATE: 21 August 2012

No: A667964



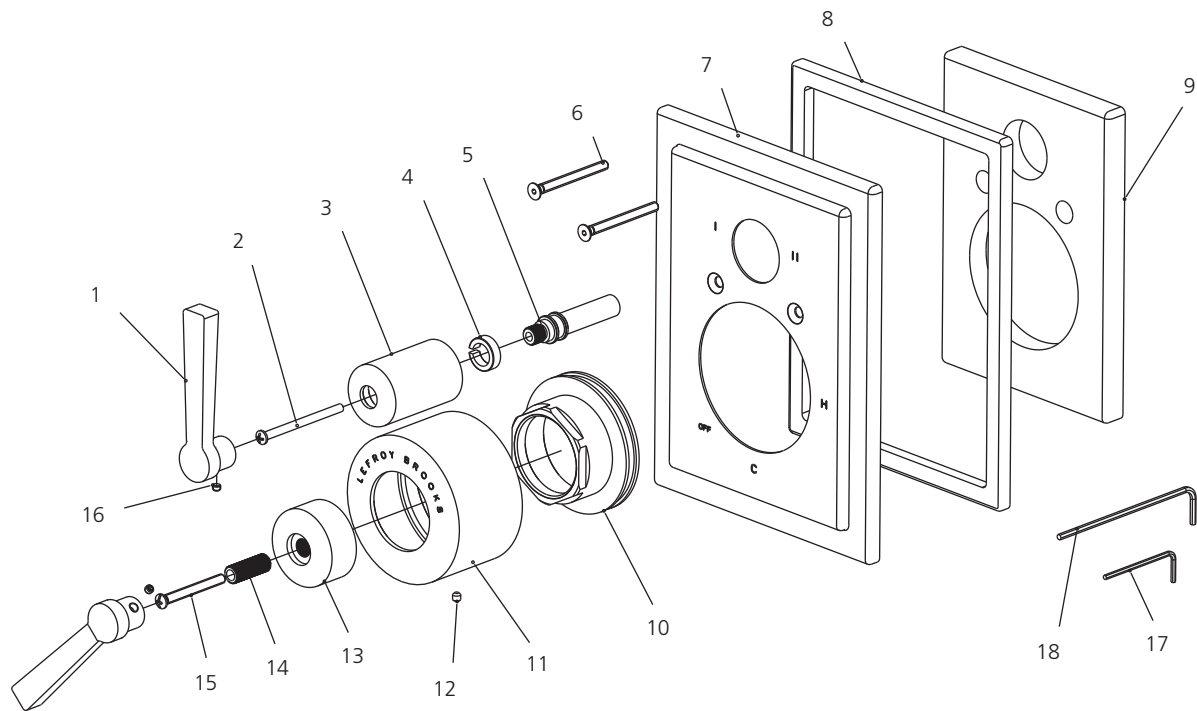
COPYRIGHT © LBIP LTD 2012. ALL RIGHTS RESERVED.

DIMENSIONS IN INCHES & MILLIMETRES

WHILST EVERY EFFORT IS MADE TO ENSURE THE ACCURACY OF THESE DATA SHEETS THEY ARE SUBJECT TO CHANGE WITHOUT NOTICE AS PART OF THE COMPANY'S PRODUCT DEVELOPMENT PROCESS

M1-4303

LEVER PRESSURE BALANCE WITH LEVER 2-WAY DIVERTER TRIM ONLY, TO SUIT M1-4101 ROUGH



1	Handle (029686)	11	Canopy (018959-50)
2	Screw (008189)	12	Set screw (065086)
3	Canopy (018960)	13	Canopy (018961)
4	Clip (012242)	14	Stem extension (110389)
5	Stem extension (110388)	15	Screw (008115)
6	Screw (008186)	16	Set screw (053205)
7	Front plate (006584-54)	17	Allen key (031003)
8	Oil seal (010940)	18	Allen key (031220)
9	Spacer (013816)		
10	Adjusting ring (104292)		

Standards

IAPMO/cUPC Listed
Meets A112.18.1
ADA Compliant

Please note :
Final achievable flow rate is dependent on the outlets fitted, see relevant outlets (spouts, roses, sprays) for fully assembled product flow rate.