



LEFROY BROOKS

1 8 2 8 T R O U T M A N S T R E E T
R I D G E W O O D N E W Y O R K N Y 1 1 3 8 5 U S A
T: +1(718) 302 5292 F: +1(718) 302 4177

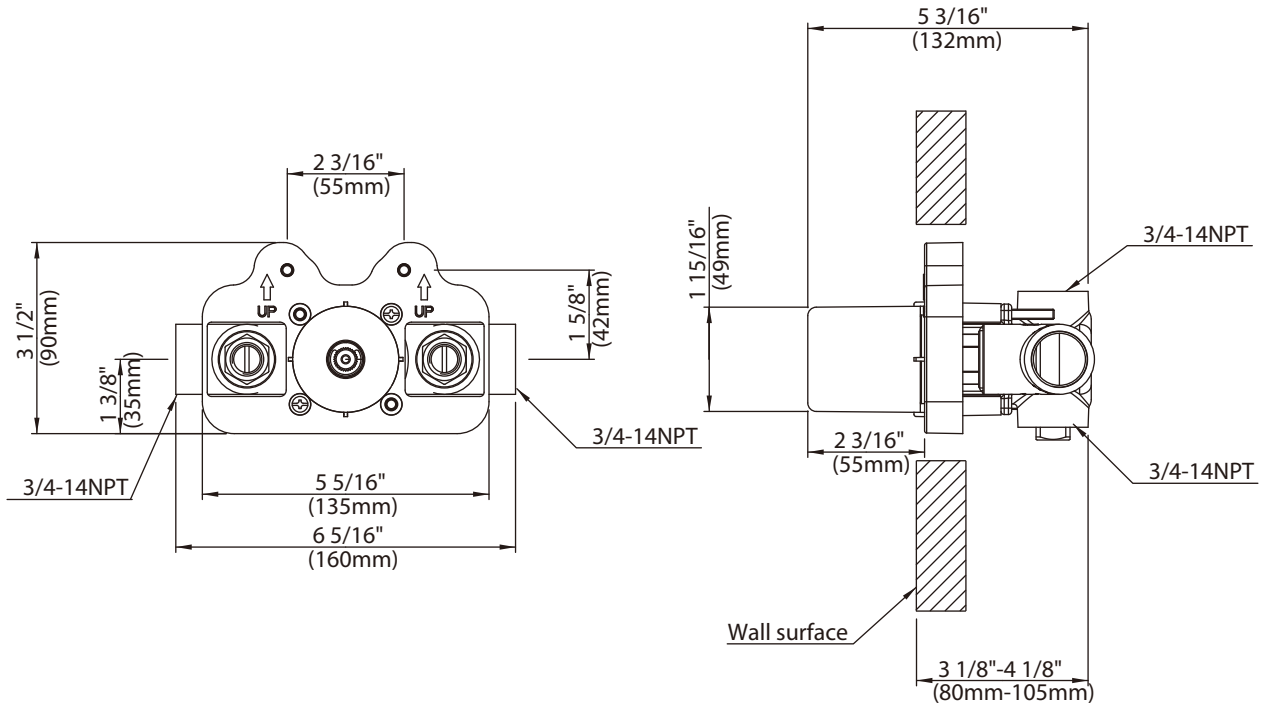
M1-4200

SINGLE HANDLE THERMOSTATIC ROUGH, TO SUIT M1-4400,
M1-4401, X1-2008, X1-2009, CW-4075 & CB-4075

DIMENSIONAL DATA SHEET

DATE: 17 April 2015

No: A661028



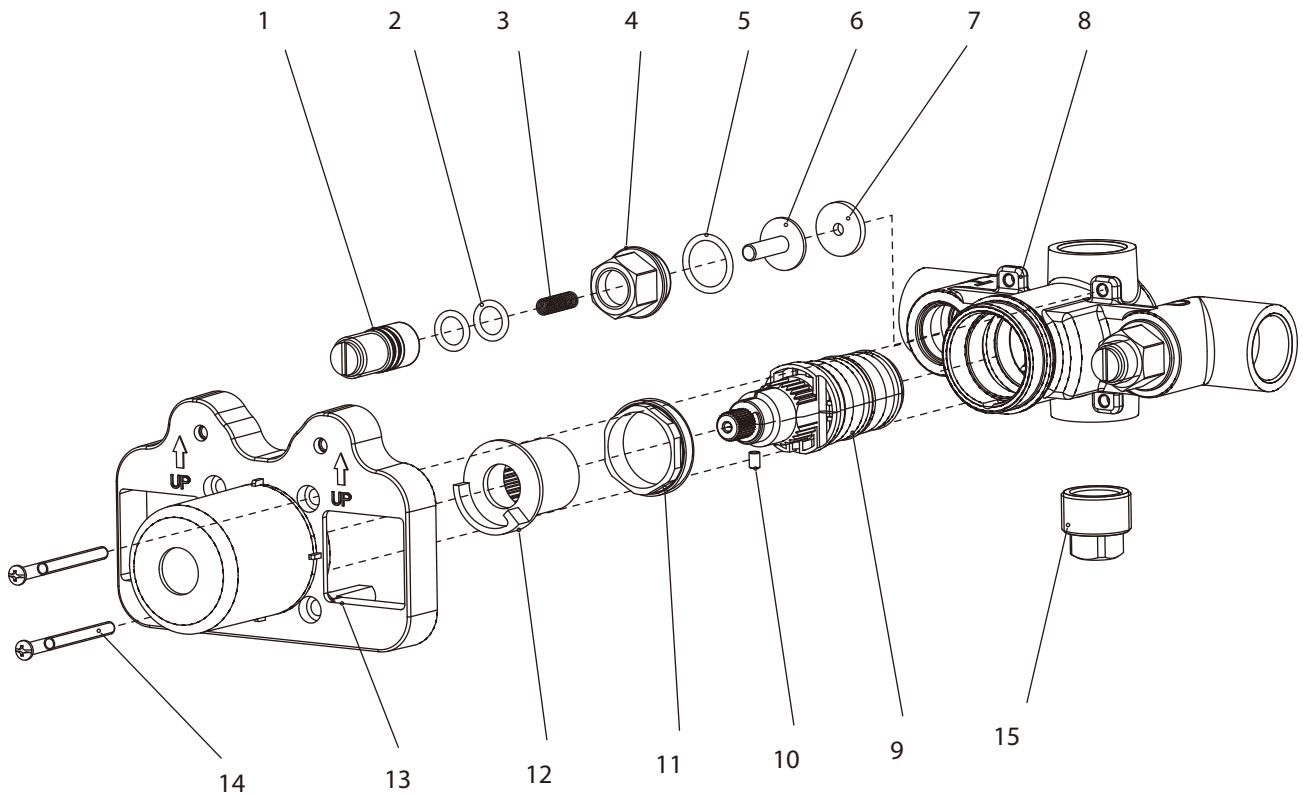
COPYRIGHT © LBP LTD 2012. ALL RIGHTS RESERVED.

DIMENSIONS IN INCHES & MILLIMETRES

WHILST EVERY EFFORT IS MADE TO ENSURE THE ACCURACY OF THESE DATA SHEETS THEY ARE SUBJECT TO CHANGE WITHOUT NOTICE AS PART OF THE COMPANY'S PRODUCT DEVELOPMENT PROCESS

M1-4200

SINGLE HANDLE THERMOSTATIC ROUGH, TO SUIT M1-4400, M1-4401, X1-2008, X1-2009, CW-4075 & CB-4075

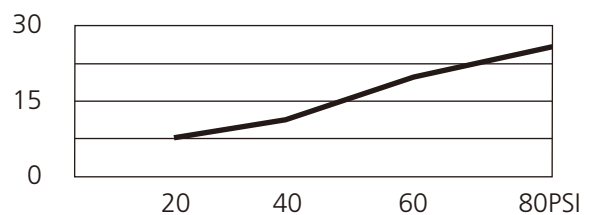


1	Spindle (017119)	7	Oil-seal (010113)	12	Stopper (049108)
2	O-ring (048038)	8	Body (002552)	13	Plaster guard (127215)
3	Spring (005060)	9	Thermostatic cartridge (507132)	14	Screw (008241)
4	Nut (009111)	10	Pin (003146)	15	Plug (028612)
5	O-ring (063060)	11	Adjusting ring (104061)		
6	Cartridge (024092)				

Standards

IAPMO/cUPC Listed
Meets A112.18.1
Meets ASSE 1016

Flow Rate



Please note :
Final achievable flow rate is dependent on the outlets fitted, see relevant outlets (spouts, roses, sprays) for fully assembled product flow rate.