



LEFROY BROOKS

1 8 2 8 T R O U T M A N S T R E E T
R I D G E W O O D N E W Y O R K N Y 1 1 3 8 5 U S A
T: +1(718) 302 5292 F: +1(718) 302 4177

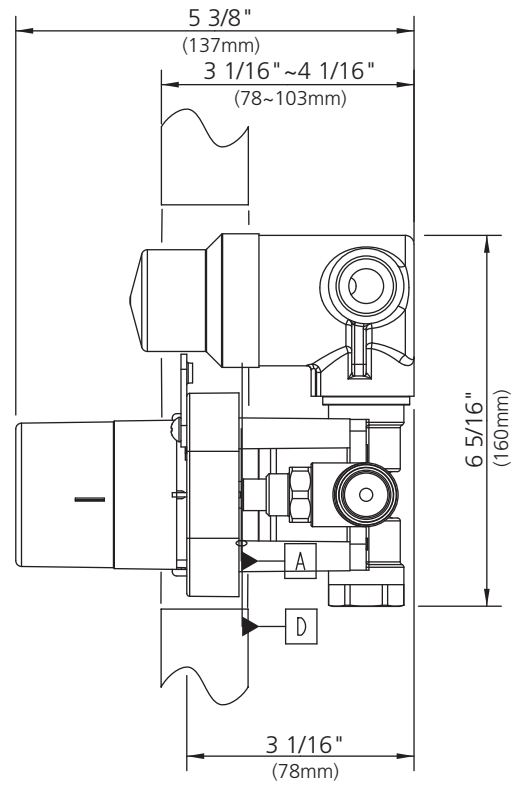
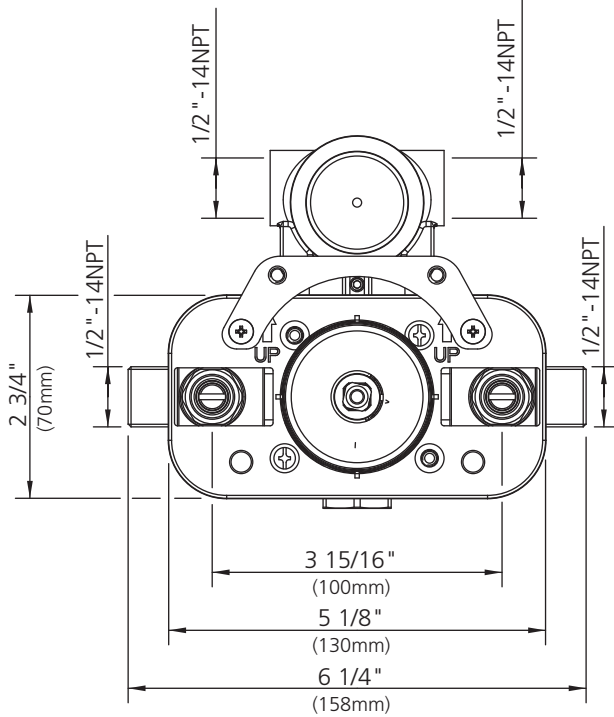
DIMENSIONAL DATA SHEET

DATE: 16 May 2012

No: A661030

M1-4101

TWO HANDLE PRESSURE BALANCE ROUGH WITH 2-WAY DIVERTER,
TO SUIT M1-4302, M1-4303, X1-2000 & X1-2001, CW-4055 &
CB-4065



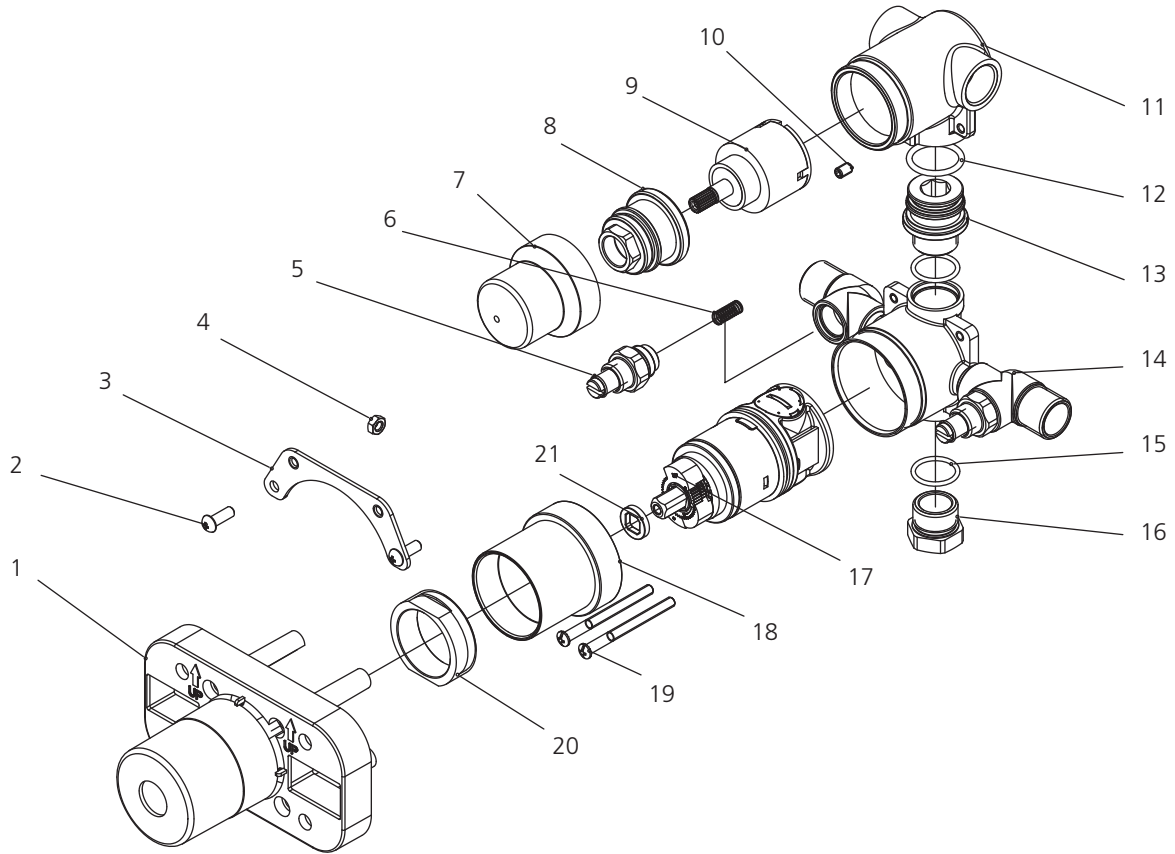
COPYRIGHT © LBIP LTD 2012. ALL RIGHTS RESERVED.

DIMENSIONS IN INCHES & MILLIMETRES

WHILST EVERY EFFORT IS MADE TO ENSURE THE ACCURACY OF THESE DATA SHEETS THEY ARE SUBJECT TO CHANGE WITHOUT NOTICE AS PART OF THE COMPANY'S PRODUCT DEVELOPMENT PROCESS

M1-4101

TWO HANDLE PRESSURE BALANCE ROUGH WITH 2-WAY DIVERTER, TO SUIT M1-4302, M1-4303, X1-2000 & X1-2001, CW-4055 & CB-4065

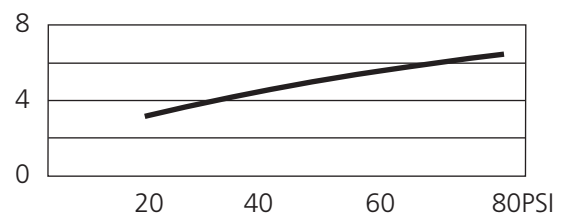


1	Plaster guard (127212)	8	Adjusting ring (104291)	15	O-ring (004074)
2	Screw (075083)	9	Diverter cartridge (507775N)	16	Plug (028599)
3	Fixing board (126055)	10	Set screw (075039)	17	PB cartridge (507655)
4	Nut (009808)	11	Body (076697)	18	Sleeve (041061)
5	Check valve (507037)	12	O-ring (048017)	19	Screw (008241)
6	Spring (005006)	13	Adaptor (057838)	20	Adjusting ring (104105)
7	Protective rubber cap (038008)	14	Body assembly (061847)	21	Washer (013182)

Standards

IAPMO/cUPC Listed
Meets A112.18.1
Meets ASSE 1016

Flow Rate



Please note :

Final achievable flow rate is dependent on the outlets fitted, see relevant outlets (spouts, roses, sprays) for fully assembled product flow rate.