



LEFROY BROOKS

1 8 2 8 T R O U T M A N S T R E E T  
R I D G E W O O D N E W Y O R K N Y 1 1 3 8 5 U S A  
T: +1(718) 302 5292 F: +1(718) 302 4177

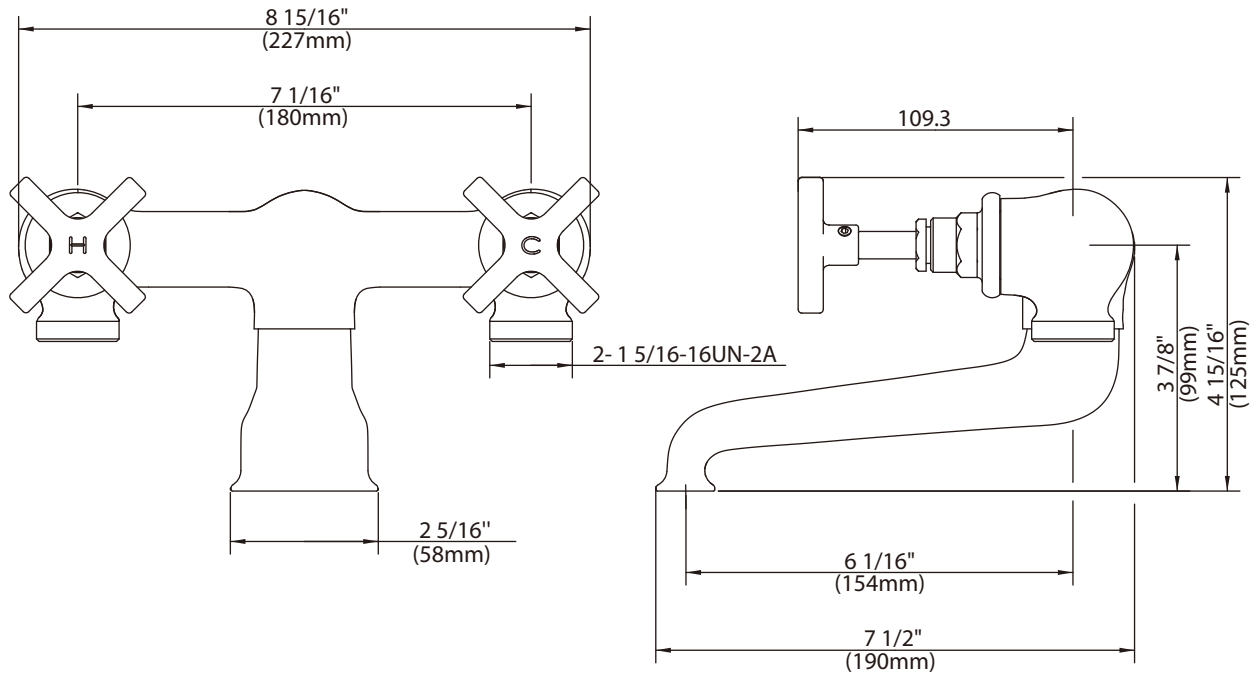
M1-2600 (MH1107)

CROSS HANDLE BATH FILLER

DIMENSIONAL DATA SHEET

DATE: 07 November 2013

No: A66F479



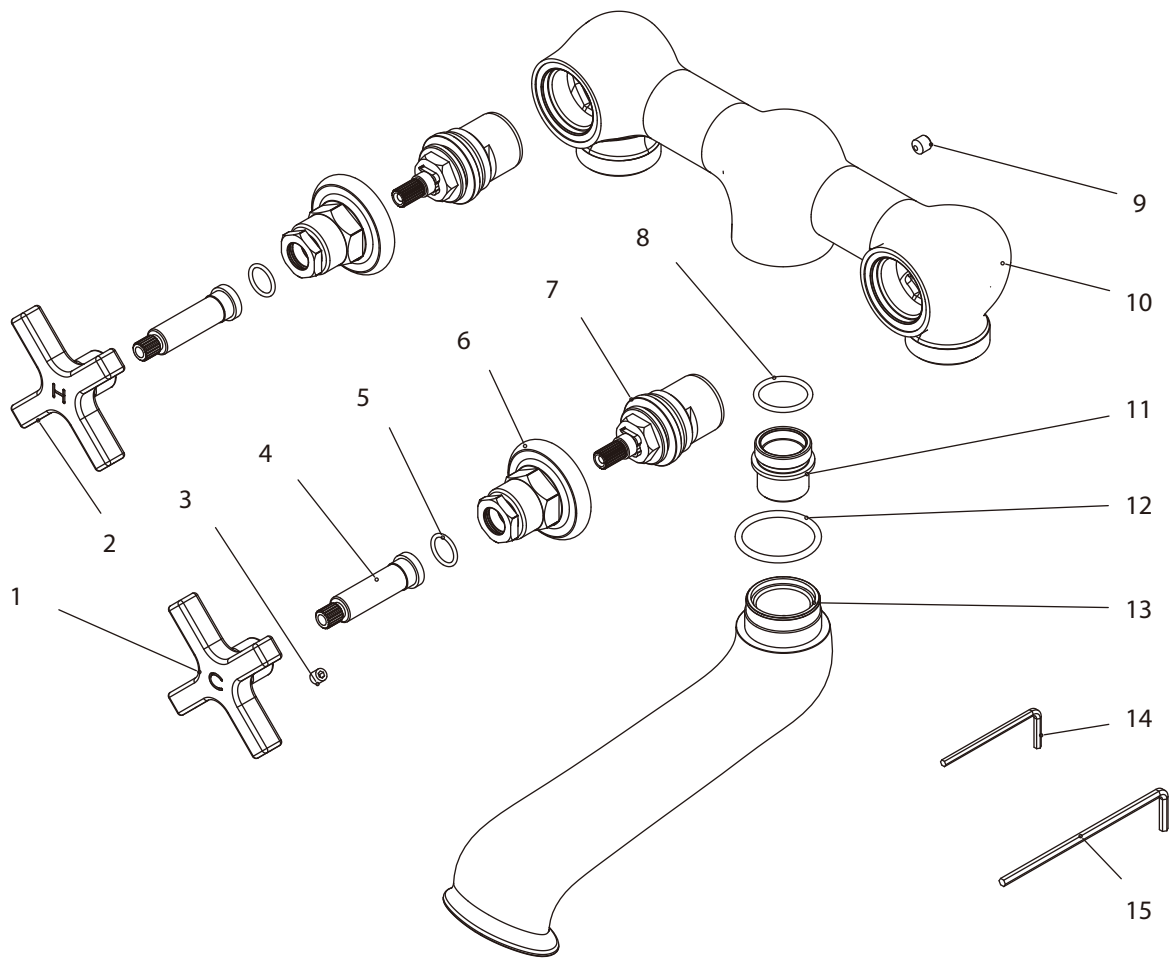
COPYRIGHT © LBP LTD 2012. ALL RIGHTS RESERVED.

DIMENSIONS IN INCHES & MILLIMETRES

WHILST EVERY EFFORT IS MADE TO ENSURE THE ACCURACY OF THESE DATA SHEETS THEY ARE SUBJECT TO CHANGE WITHOUT NOTICE AS PART OF THE COMPANY'S PRODUCT DEVELOPMENT PROCESS

# M1-2600 (MH1107)

CROSS HANDLE BATH FILLER



- 1 Handle ( C ) (029685C)
- 2 Handle ( H ) (029685H)
- 3 Screw (008003)
- 4 Stem extension (110468)
- 5 O-ring (048085N)

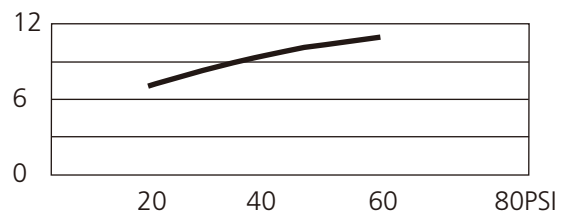
- 6 Nut (009354)
- 7 Cartridge (507911)
- 8 O-ring (063066N)
- 9 Set screw (065154)
- 10 Body (002781)

- 11 Adaptor (077173)
- 12 O-ring (004596N)
- 13 Spout (118559)
- 14 Allen key (031000)
- 15 Allen key (031017)

## Standards

IAPMO/cUPC Listed  
Meets A112.18.1

## Flow Rate



Please note :

Final achievable flow rate is dependent on the outlets fitted, see relevant outlets (spouts, roses, sprays) for fully assembled product flow rate.