



LEFROY BROOKS

1 8 2 8 T R O U T M A N S T R E E T
R I D G E W O O D N E W Y O R K N Y 1 1 3 8 5 U S A
T: +1(718) 302 5292 F: +1(718) 302 4177

M1-2151 (ML1250)

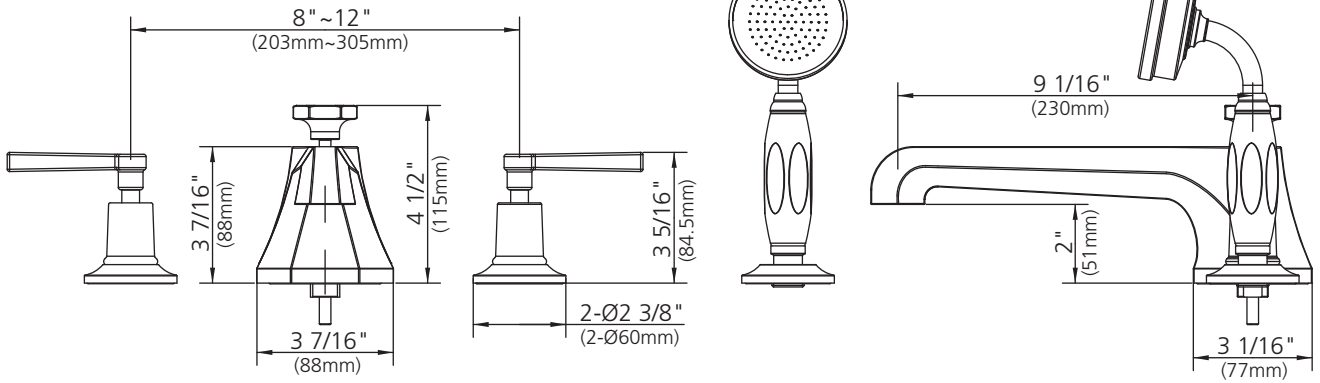
LEVER 4-HOLE BATH SET WITH DIVERTER & PULL-OUT BLACK HAND
SHOWER TRIM ONLY, TO SUIT R1-4025 ROUGH

DIMENSIONAL DATA SHEET

DATE: 20 February 2012

No: A66F361-50

©COPYRIGHT 2009. CHRISTO LEFROY BROOKS. ALL RIGHTS RESERVED.

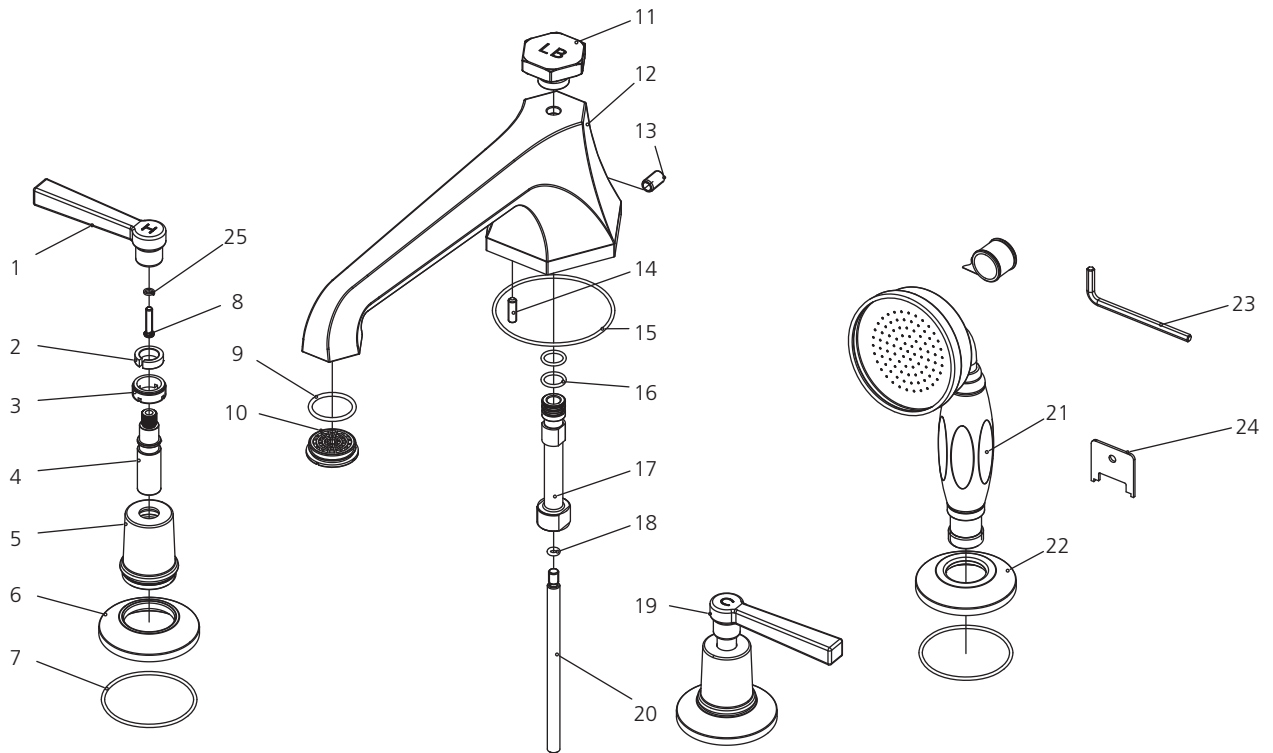


DIMENSIONS IN INCHES & MILLIMETRES

WHILST EVERY EFFORT IS MADE TO ENSURE THE ACCURACY OF THESE DATA SHEETS THEY ARE SUBJECT TO CHANGE WITHOUT NOTICE AS PART OF THE COMPANY'S PRODUCT DEVELOPMENT PROCESS

M1-2151 (ML1250)

LEVER 4-HOLE BATH SET WITH DIVERTER & PULL-OUT BLACK HAND SHOWER TRIM ONLY, TO SUIT R1-4025 ROUGH



1	Handle (H) (029686H-T)	10	Aerator (500058)	19	Handle (C) (029686C-T)
2	Clip (012242)	11	Pop-up knob (124016-50)	20	Diverter rod (125138)
3	Adaptor (057507)	12	Spout (100002)	21	Hand shower (S2110309)
4	Stem extension (110320)	13	Screw (065027)	22	Escutcheon (071433)
5	Canopy (018209)	14	Set screw (292540)	23	Allen key (031011)
6	Escutcheon (215478)	15	O-ring (072013)	24	Wrench (031214)
7	O-ring (004640N)	16	O-ring (004079N)	25	Washer (013570)
8	Screw (008486)	17	Adaptor (057929)		
9	O-ring (072091)	18	O-ring (004546N)		

Standards

IAPMO/cUPC Listed
Meets A112.18.1