



LEFROY BROOKS

1 8 2 8 T R O U T M A N S T R E E T
R I D G E W O O D N E W Y O R K N Y 1 1 3 8 5 U S A
T: +1(718) 302 5292 F: +1(718) 302 4177

M1-1012

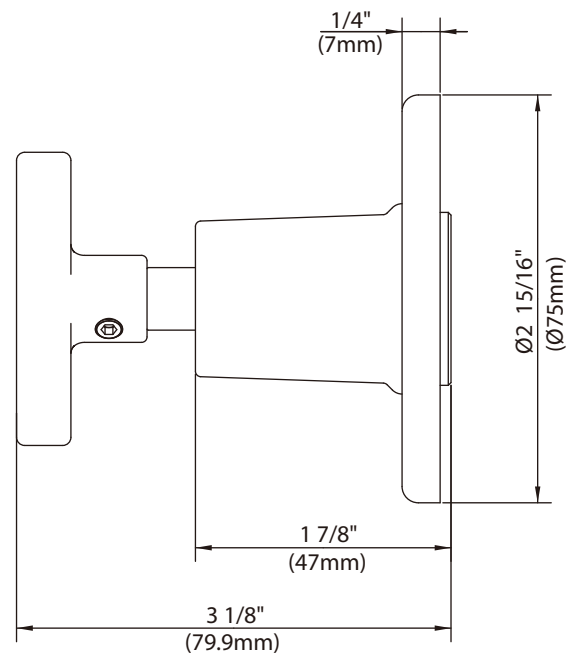
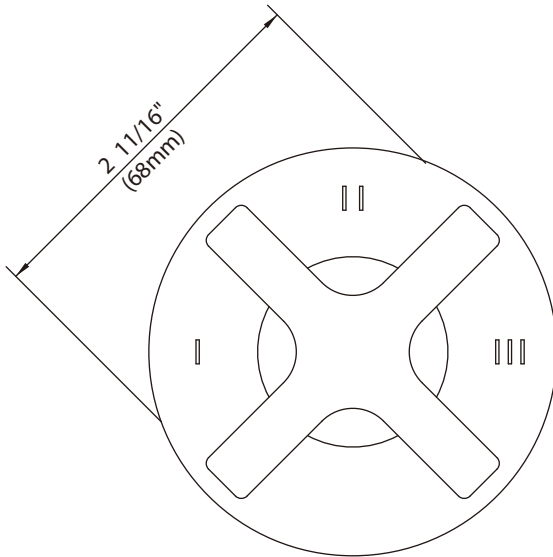
CROSS HANDLE THREE-WAY WALL DIVERTER TRIM ONLY, TO SUIT
R1-4001 ROUGH. CHROME PLATED

DIMENSIONAL DATA SHEET

DATE: 26 August 2013

No: A66F285-55

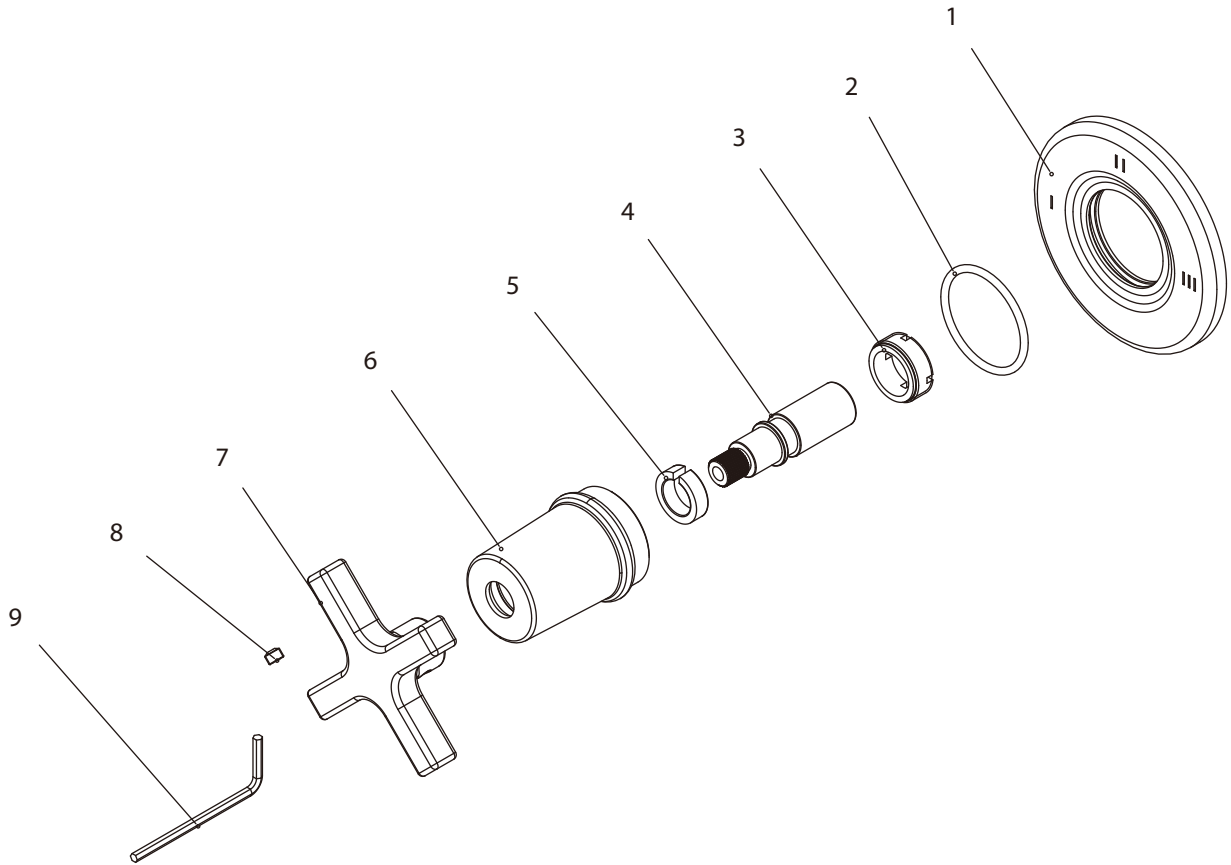
COPYRIGHT © LBIP LTD 2012. ALL RIGHTS RESERVED.



DIMENSIONS IN INCHES & MILLIMETRES

M1-1012

CROSS HANDLE THREE-WAY WALL DIVERTER TRIM ONLY, TO SUIT R1-4001 ROUGH. CHROME PLATED



1	Escutcheon (071279-55)	4	Adaptor (067773)	7	Handle (029685)
2	O-ring (004044)	5	Clip (012242)	8	Set screw (292598)
3	Adaptor (057507)	6	Canopy (018014)	9	Allen key (031000)

Standards

IAPMO/cUPC Listed
Meets A112.18.1

Please note :
Final achievable flow rate is dependent on the outlets fitted, see relevant outlets (spouts, roses, sprays) for fully assembled product flow rate.