



LEFROY BROOKS

1 8 2 8 T R O U T M A N S T R E E T
R I D G E W O O D N E W Y O R K N Y 1 1 3 8 5 U S A
T: +1(718) 302 5292 F: +1(718) 302 4177

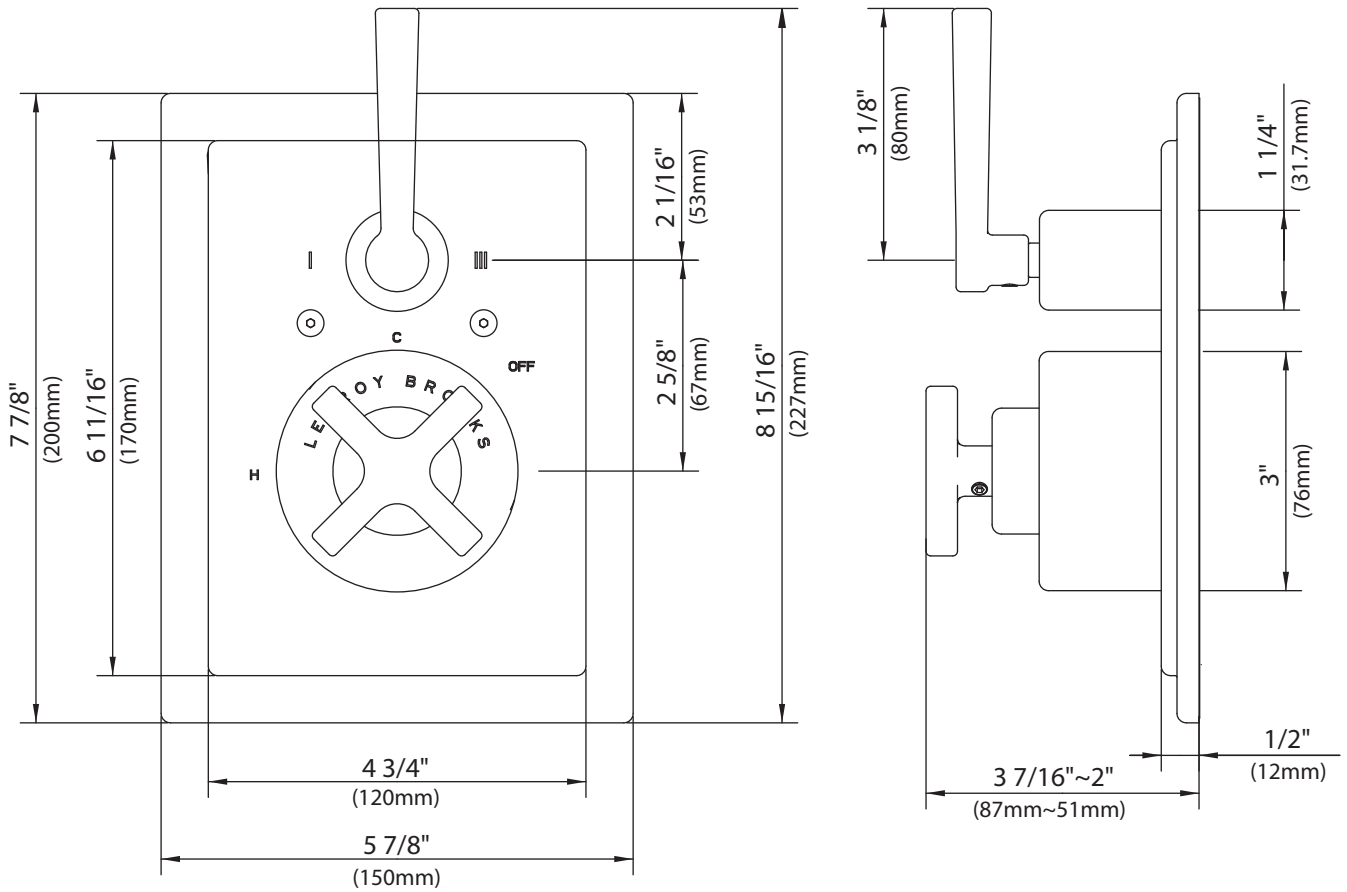
M1-4308

CROSS HANDLE PRESSURE BALANCE WITH LEVER 3-WAY DIVERter
TRIM ONLY, TO SUIT M1-4102 ROUGH

DIMENSIONAL DATA SHEET

DATE: 13 July 2011

No: A667806



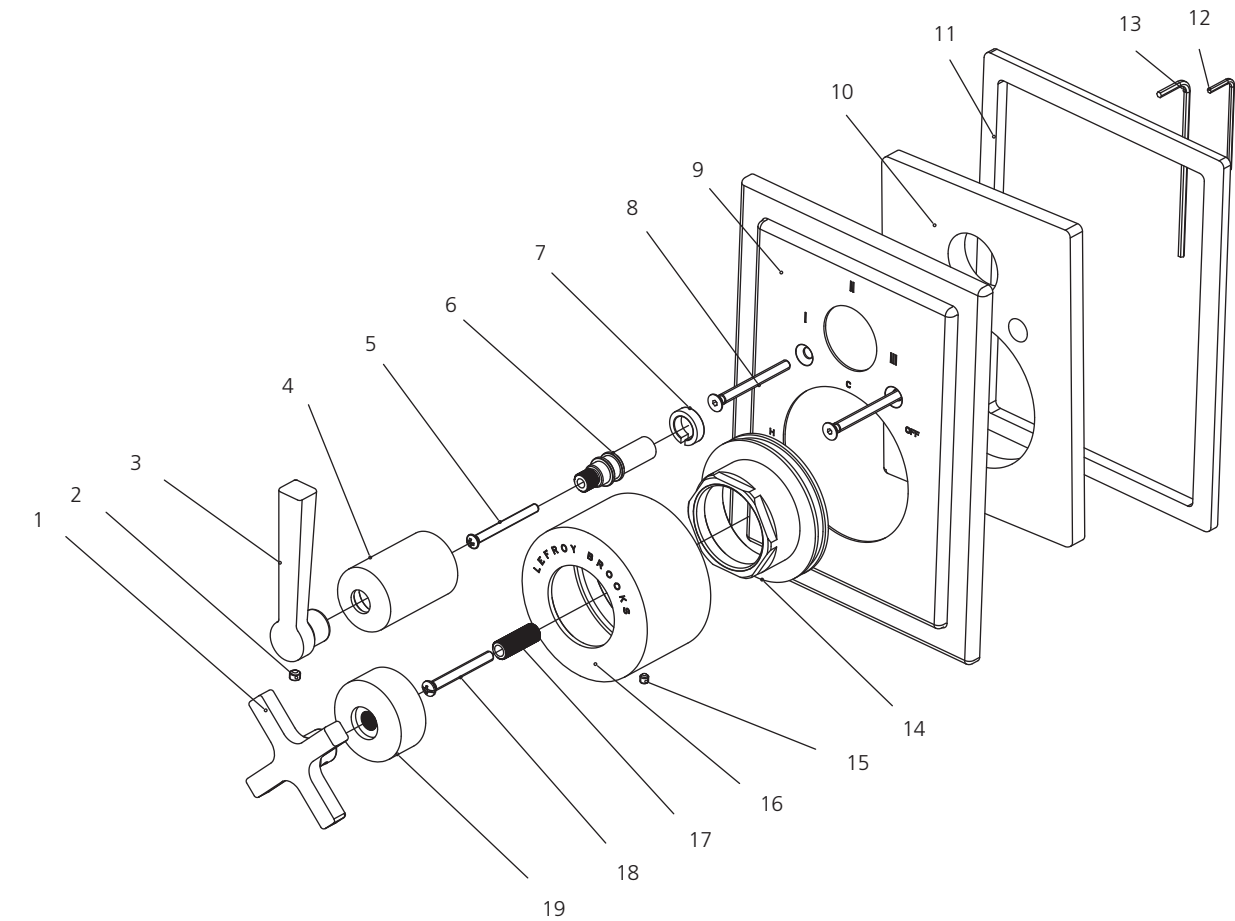
©COPYRIGHT 2009, CHRISTO LEFROY BROOKS. ALL RIGHTS RESERVED.

DIMENSIONS IN INCHES & MILLIMETRES

WHILST EVERY EFFORT IS MADE TO ENSURE THE ACCURACY OF THESE DATA SHEETS THEY ARE SUBJECT TO CHANGE WITHOUT NOTICE AS PART OF THE COMPANY'S PRODUCT DEVELOPMENT PROCESS

M1-4308

CROSS HANDLE PRESSURE BALANCE WITH
LEVER 3-WAY DIVERTER TRIM ONLY,
TO SUIT M1-4102 ROUGH



1	Handle (029685)	11	Oil-seal (010940)
2	Set screw (292598)	12	Allen key (031003)
3	Handle (029686)	13	Allen key (031220)
4	Canopy (018960)	14	Adjusting ring (104292)
5	Screw (065035)	15	Set screw (065086)
6	Extension stem (110430)	16	Canopy (018959-50)
7	Clip (012242)	17	Extension stem (110389)
8	Screw (008186)	18	Screw (008115)
9	Front plate (006584-51)	19	Canopy (018961)
10	Spacer (013816)		

Standards

IAPMO/cUPC Listed
Meets A112.18.1

Please note :

Final achievable flow rate is dependent on the outlets fitted, see relevant outlets (spouts, roses, sprays) for fully assembled product flow rate.