



LEFROY BROOKS

1 8 2 8 T R O U T M A N S T R E E T
R I D G E W O O D N E W Y O R K N Y 1 1 3 8 5 U S A
T: +1(718) 302 5292 F: +1(718) 302 4177

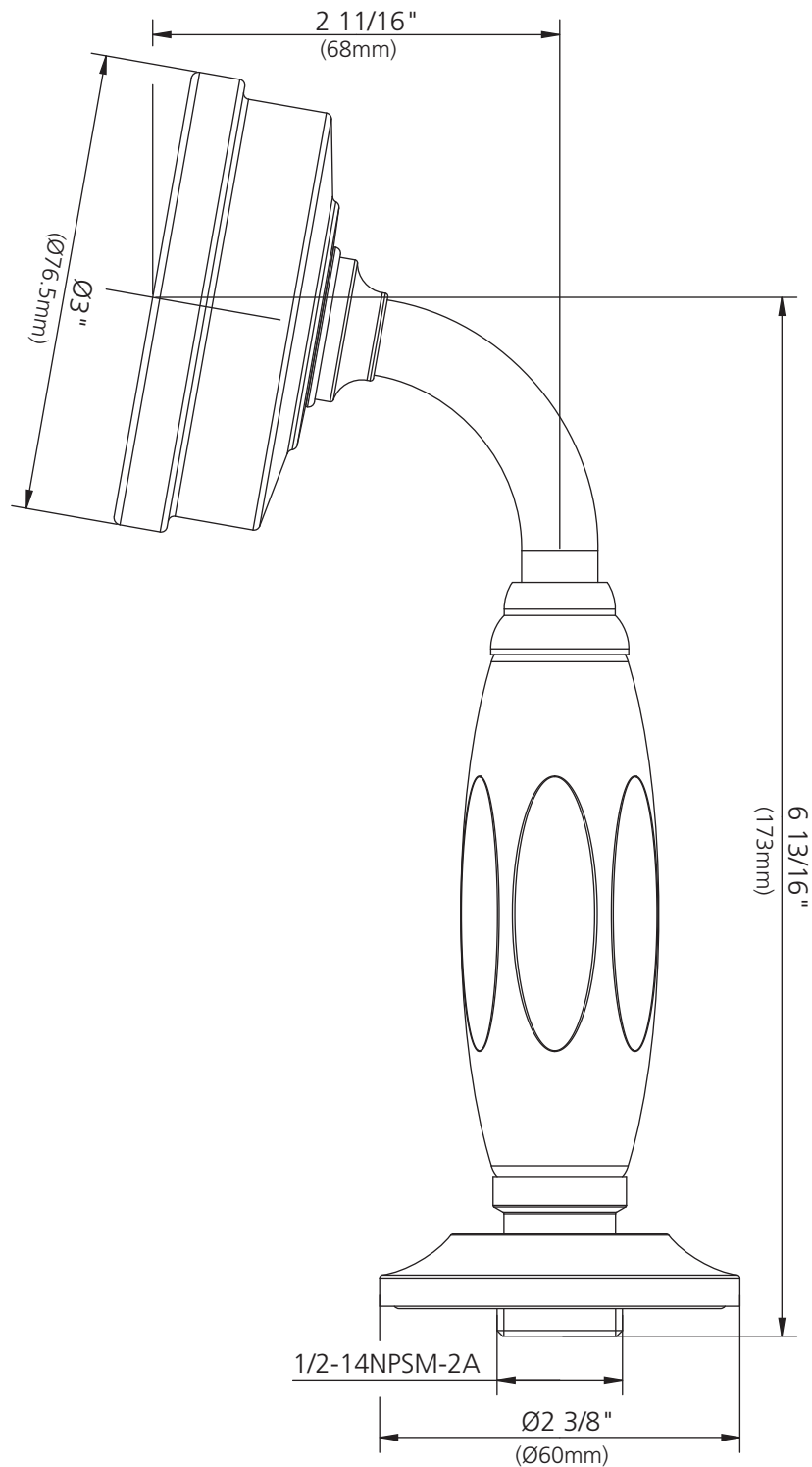
M1-1028

WHITE HANDLE PULL-OUT HAND SHOWER WITH DECK HOLSTER
TRIM ONLY, TO SUIT R1-4026 ROUGH

DIMENSIONAL DATA SHEET

DATE: 02 June 2011

No: S2116302



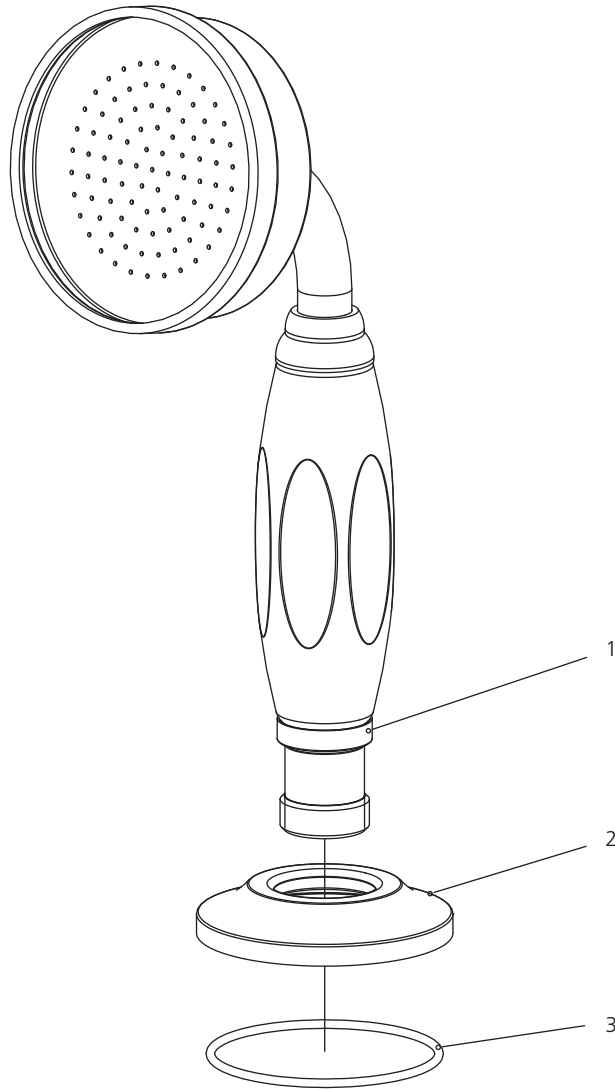
©COPYRIGHT 2009, CHRISTO LEFROY BROOKS, ALL RIGHTS RESERVED.

DIMENSIONS IN INCHES & MILLIMETRES

WHILST EVERY EFFORT IS MADE TO ENSURE THE ACCURACY OF THESE DATA SHEETS THEY ARE SUBJECT TO CHANGE WITHOUT NOTICE AS PART OF THE COMPANY'S PRODUCT DEVELOPMENT PROCESS

M1-1028

WHITE HANDLE PULL-OUT HAND SHOWER WITH DECK HOLSTER TRIM ONLY, TO SUIT R1-4026 ROUGH

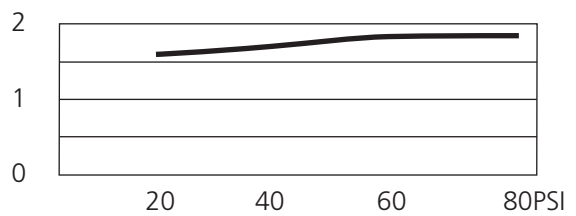


- 1 Handshower (S2110309)
- 2 Escutcheon (071433)
- 3 O-ring (004591)

Standards

IAPMO/cUPC Listed
Meets A112.18.1

Flow Rate



Please note :
Final achievable flow rate is dependent on the outlets fitted, see relevant outlets (spouts, roses, sprays) for fully assembled product flow rate.