



LEFROY BROOKS

1 8 2 8 T R O U T M A N S T R E E T
R I D G E W O O D N E W Y O R K N Y 1 1 3 8 5 U S A
T : + 1 (7 1 8) 3 0 2 5 2 9 2 F : + 1 (7 1 8) 3 0 2 4 1 7 7

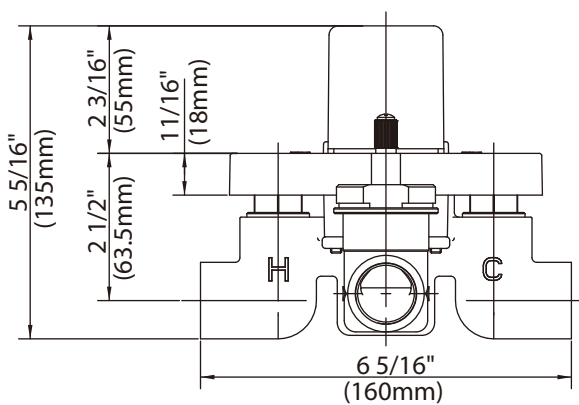
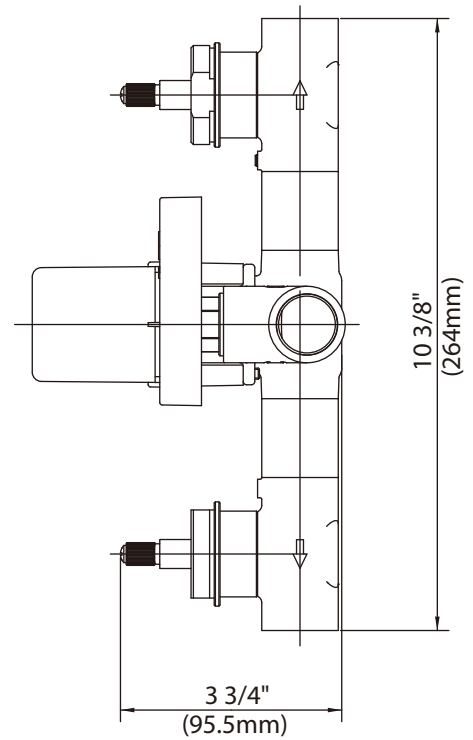
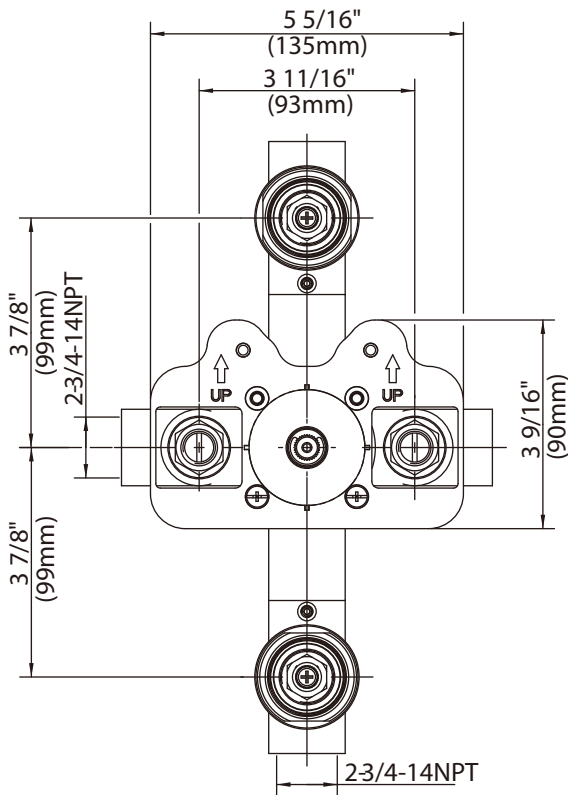
K1-4202

THREE HANDLE THERMOSTATIC ROUGH WITH 2 FLOW CONTROLS,
TO SUIT K1-4403 & M2-4406

DIMENSIONAL DATA SHEET

DATE: 01 February 2013

No: A667513



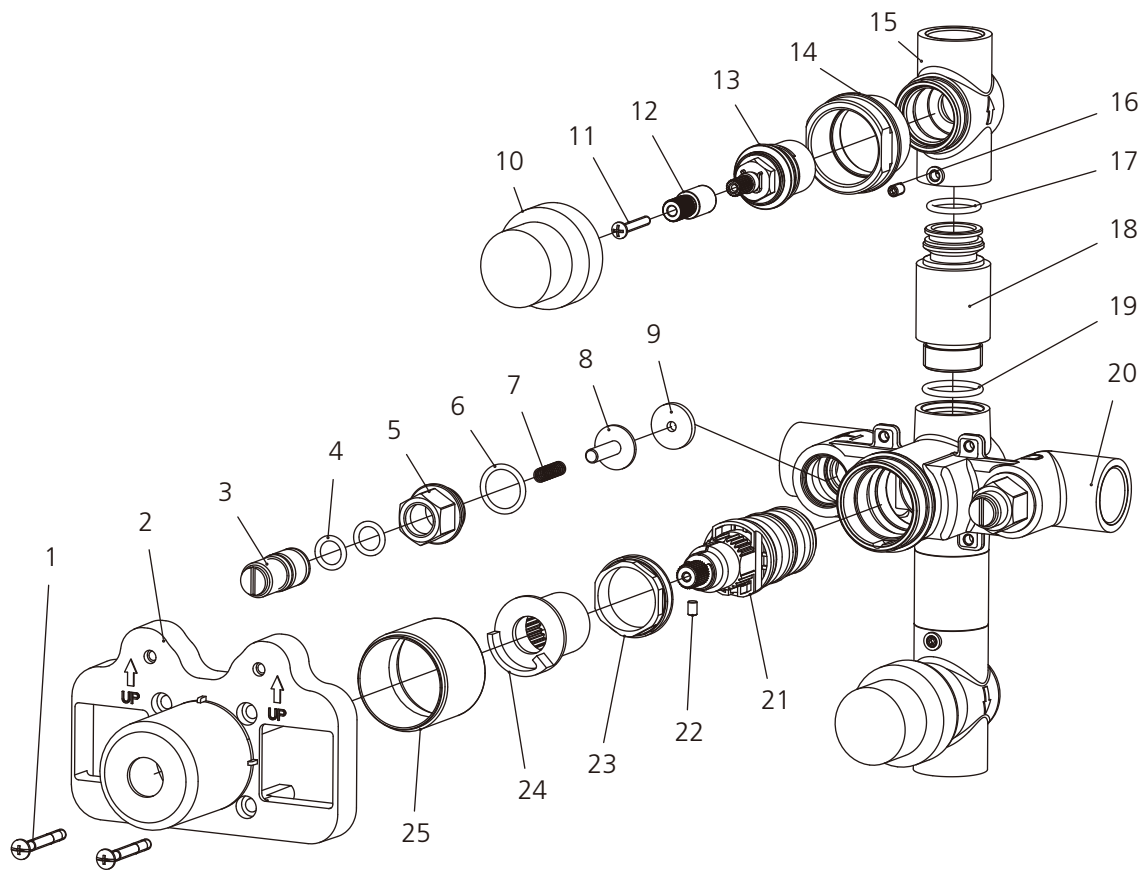
COPYRIGHT © LBIP LTD 2012. ALL RIGHTS RESERVED.

DIMENSIONS IN INCHES & MILLIMETRES

WHILST EVERY EFFORT IS MADE TO ENSURE THE ACCURACY OF THESE DATA SHEETS THEY ARE SUBJECT TO CHANGE WITHOUT NOTICE AS PART OF THE COMPANY'S PRODUCT DEVELOPMENT PROCESS

K1-4202

THREE HANDLE THERMOSTATIC ROUGH WITH 2 FLOW CONTROLS, TO SUIT K1-4403 & M2-4406

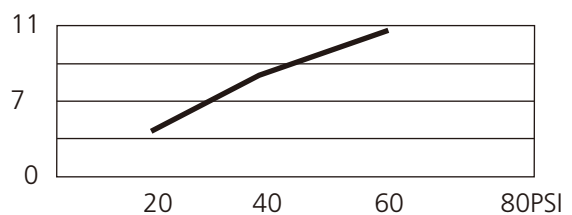


| | | | | | |
|---|------------------------|----|-------------------------|----|---------------------------------|
| 1 | Screw (008230) | 10 | Protective cap (038008) | 19 | O-ring (072073N) |
| 2 | Plaster guard (127214) | 11 | Screw (065152) | 20 | Body (076706) |
| 3 | Stud bolt (017119) | 12 | Stem extension (110406) | 21 | Thermostatic cartridge (507132) |
| 4 | O-ring (048038) | 13 | Cartridge (507911) | 22 | Pin (003146) |
| 5 | Nut (009111) | 14 | Sleeve (035484) | 23 | Retaining nut (104061) |
| 6 | O-ring (063060) | 15 | Body (076707) | 24 | Stopper (049108) |
| 7 | Spring (005060) | 16 | Grub screw (075039) | 25 | Sleeve (041754) |
| 8 | Cartridge (024092) | 17 | O-ring (004096N) | | |
| 9 | Oil seal (010113) | 18 | Adaptor (067765) | | |

Standards

IAPMO/cUPC Listed
Meets A112.18.1
Meets ASSE 1016

Flow Rate



Please note :

Final achievable flow rate is dependent on the outlets fitted, see relevant outlets (spouts, roses, sprays) for fully assembled product flow rate.