



LEFROY BROOKS

1 8 2 8 T R O U T M A N S T R E E T
R I D G E W O O D N E W Y O R K N Y 1 1 3 8 5 U S A
T: +1(718) 302 5292 F: +1(718) 302 4177

K1-1103

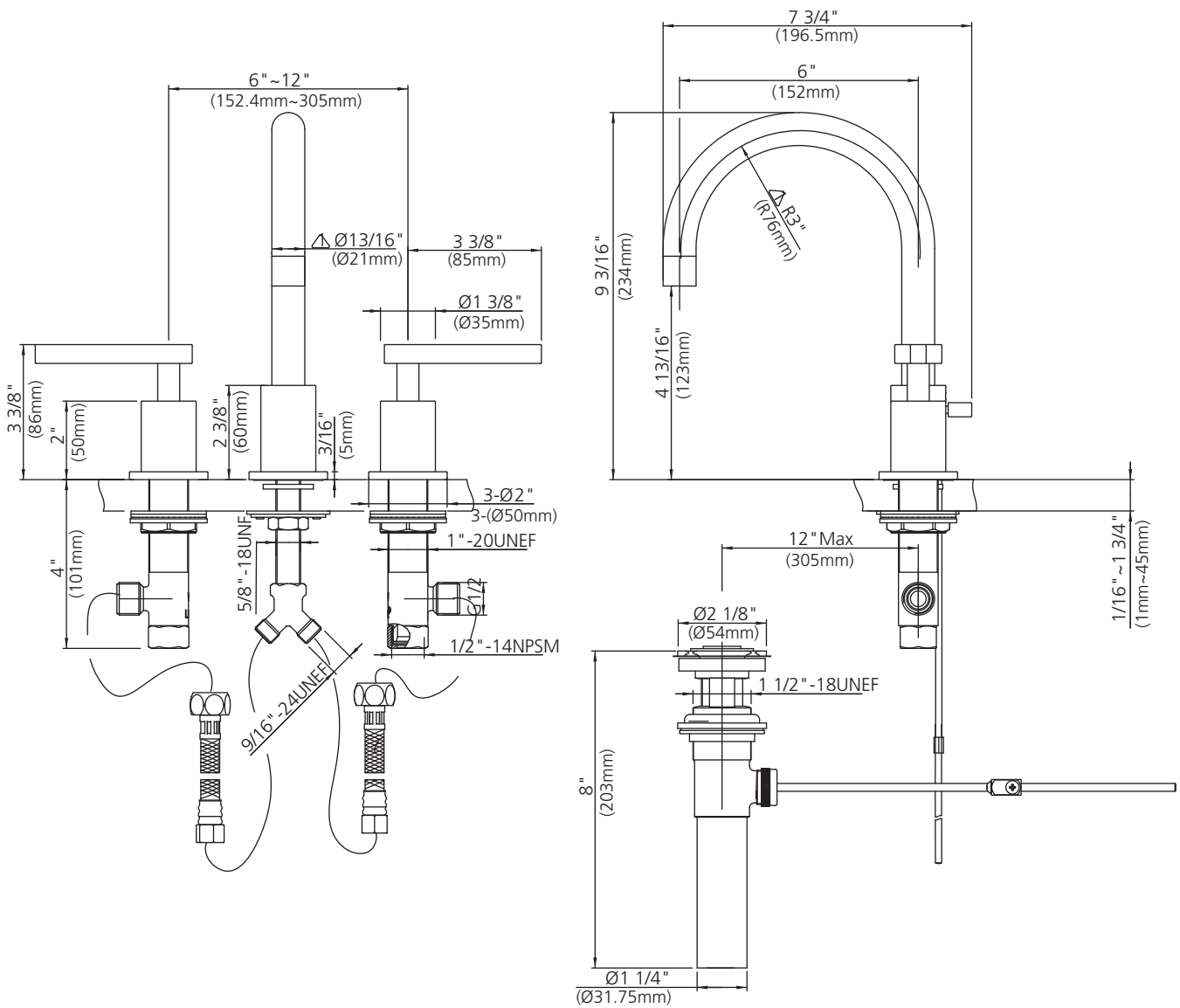
LEVER 3-HOLE BASIN MIXER WITH P.U.W.

DIMENSIONAL DATA SHEET

DATE: 9 November 2011

No: FW1C4200

©COPYRIGHT 2009. CHRISTO LEFROY BROOKS. ALL RIGHTS RESERVED.

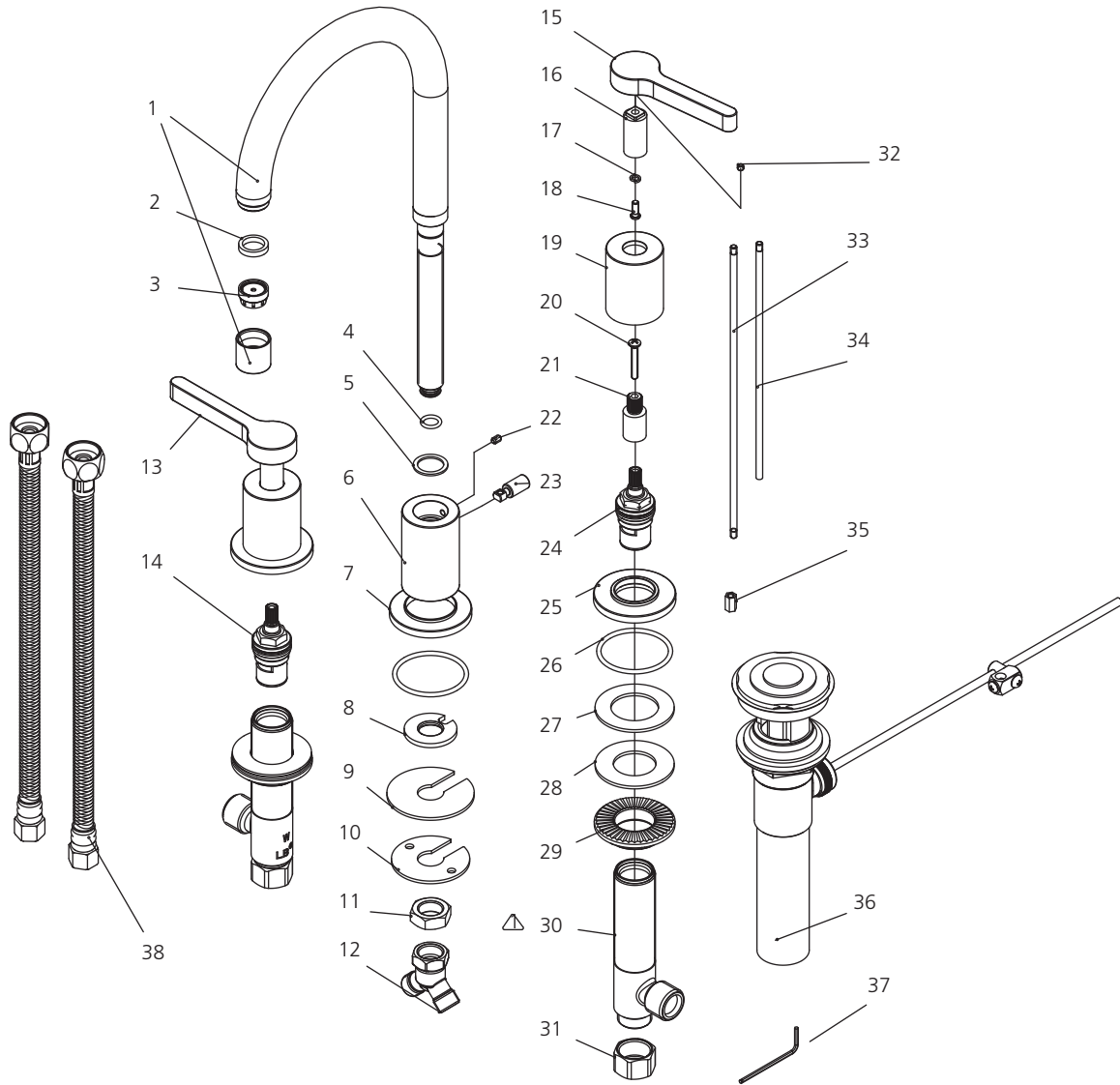


DIMENSIONS IN INCHES & MILLIMETRES

WHILST EVERY EFFORT IS MADE TO ENSURE THE ACCURACY OF THESE DATA SHEETS THEY ARE SUBJECT TO CHANGE WITHOUT NOTICE AS PART OF THE COMPANY'S PRODUCT DEVELOPMENT PROCESS

K1-1103

LEVER 3-HOLE BASIN MIXER WITH P.U.W.

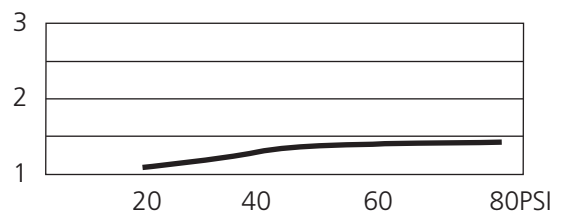


- | | | | | | |
|----|--------------------------|----|-------------------------|----|------------------------------|
| 1 | Spout assembly (523847W) | 14 | Cartridge (H) (507175N) | 27 | Oil seal (010017) |
| 2 | Oil seal (010095N) | 15 | Handle (C) (069699C) | 28 | Washer (013158) |
| 3 | Aerator insert (553601N) | 16 | Adaptor (205417) | 29 | Nut (009834) |
| 4 | O-ring (004026N) | 17 | Washer (013570) | 30 | Body (061893W) |
| 5 | Oil seal (010741N) | 18 | Screw (008774) | 31 | Nut (009016) |
| 6 | Canopy (078182) | 19 | Canopy (018419) | 32 | Set screw (053205) |
| 7 | Escutcheon (071265) | 20 | Screw (065152) | 33 | Pop-up rod (125322) |
| 8 | Washer (013797) | 21 | Adaptor (205434) | 34 | Pop-up rod (125364) |
| 9 | Oil seal (058094) | 22 | Set screw (292562) | 35 | Adaptor (039807) |
| 10 | Washer (013006) | 23 | Pop-up nut (124367) | 36 | Pop-up sub assembly (556781) |
| 11 | Nut (009015) | 24 | Cartridge (C) (507176N) | 37 | Allen key (031003) |
| 12 | Connector (015004W) | 25 | Escutcheon (071308) | 38 | Flexible hose (105750W) |
| 13 | Handle (H) (069699H) | 26 | O-ring (004072N) | | |

Standards

IAPMO/cUPC Listed
Meets NSF 61-9
Meets A112.18.1

Flow Rate



Please note :
Final achievable flow rate is dependent on the outlets fitted, see relevant outlets (spouts, roses, sprays) for fully assembled product flow rate.