



LEFROY BROOKS

1 8 2 8 T R O U T M A N S T R E E T
R I D G E W O O D N E W Y O R K N Y 1 1 3 8 5 U S A
T: +1(718) 302 5292 F: +1(718) 302 4177

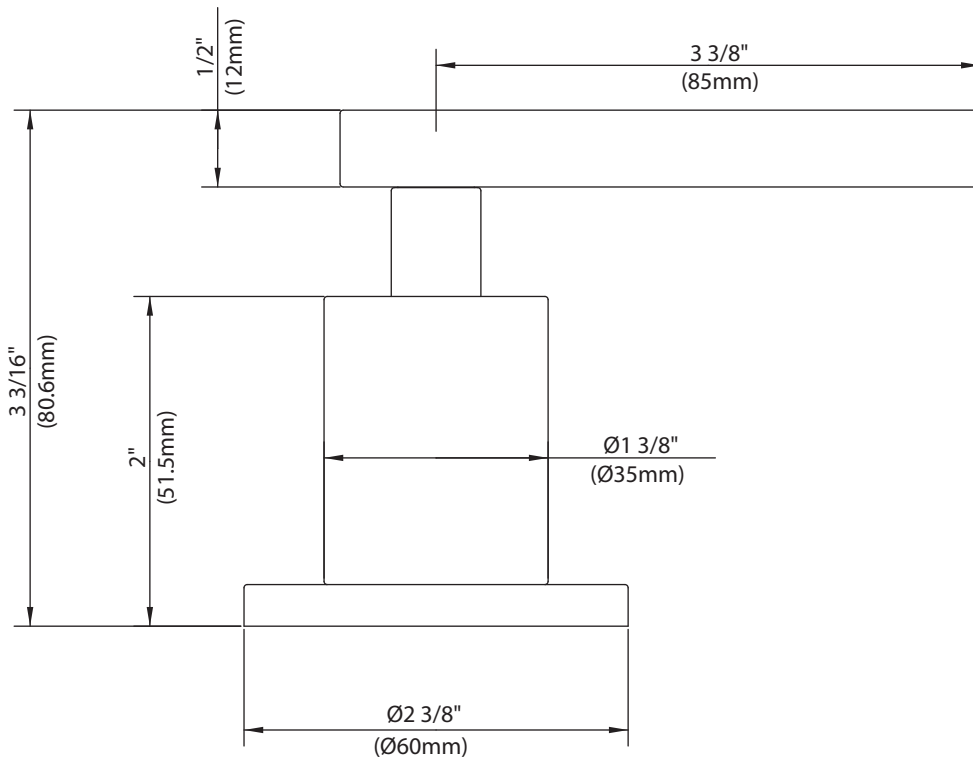
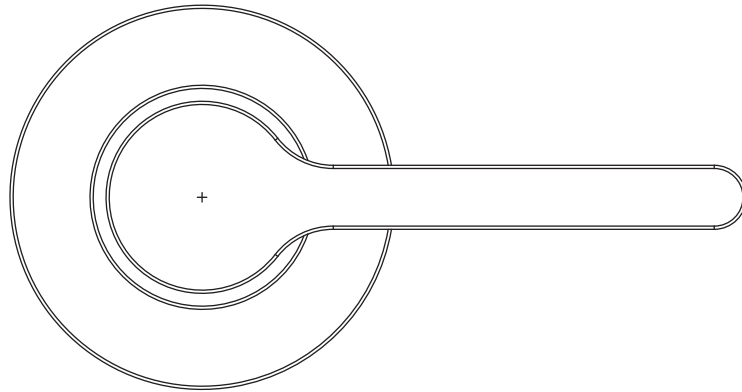
K1-1017

LEVER TWO-WAY DECK DIVERter TRIM ONLY, TO SUIT R1-4003
ROUGH.

DIMENSIONAL DATA SHEET

DATE: 15 July 2014

No: A66E693



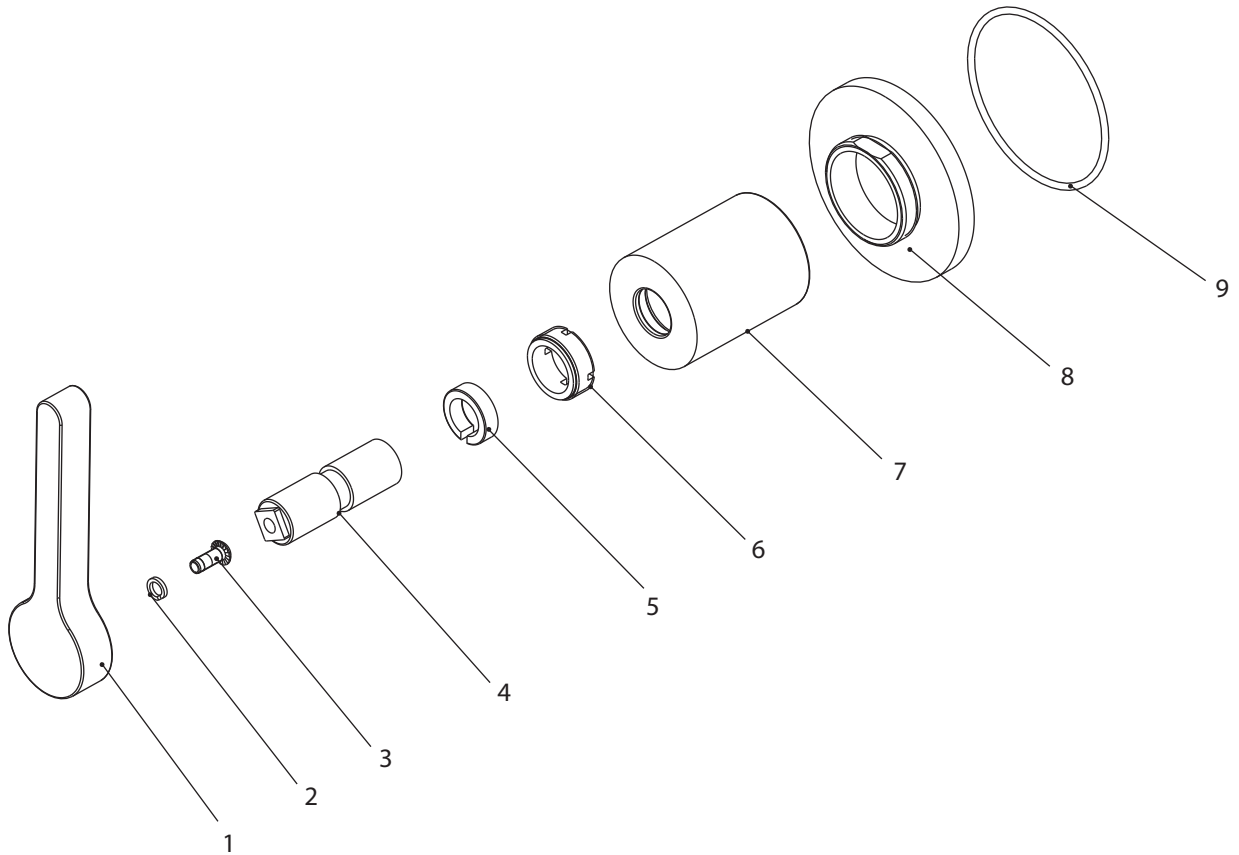
COPYRIGHT © LBIP LTD 2012. ALL RIGHTS RESERVED.

DIMENSIONS IN INCHES & MILLIMETRES

WHILST EVERY EFFORT IS MADE TO ENSURE THE ACCURACY OF THESE DATA SHEETS THEY ARE SUBJECT TO CHANGE WITHOUT NOTICE AS PART OF THE COMPANY'S PRODUCT DEVELOPMENT PROCESS

K1-1017

LEVER TWO-WAY DECK DIVERTER TRIM ONLY, TO SUIT R1-4003 ROUGH.



- 1 Diverter handle (069699)
- 2 Washer (013570)
- 3 Screw (008154)

- 4 Stem extension (110006)
- 5 Clip (012242)
- 6 Adaptor (057507)

- 7 Canopy (018438)
- 8 Escutcheon (071033)
- 9 O-ring (004640N)

Standards

IAPMO/cUPC Listed
Meets A112.18.1
ADA Compliant

Please note :
Final achievable flow rate is dependent on the outlets fitted, see relevant outlets (spouts, roses, sprays) for fully assembled product flow rate.