



LEFROY BROOKS

1 8 2 8 T R O U T M A N S T R E E T
R I D G E W O O D N E W Y O R K N Y 1 1 3 8 5 U S A
T : + 1 (7 1 8) 3 0 2 5 2 9 2 F : + 1 (7 1 8) 3 0 2 4 1 7 7

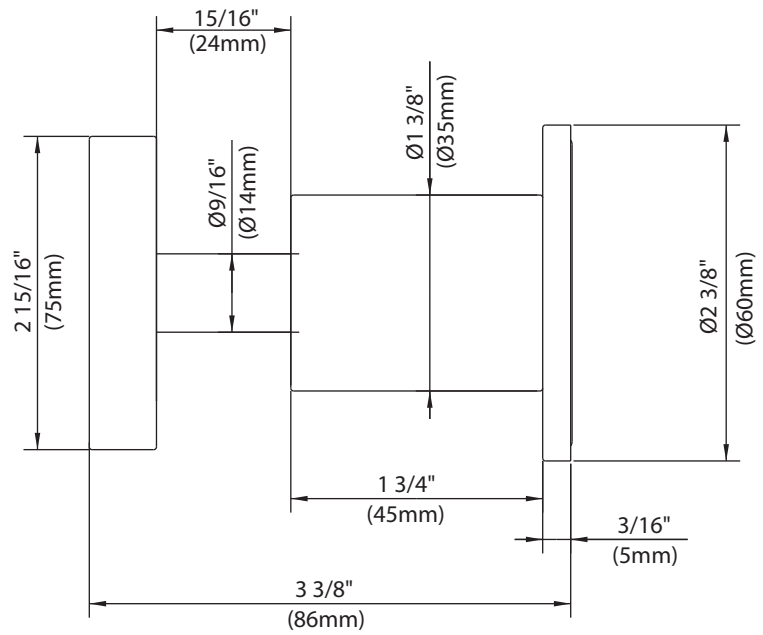
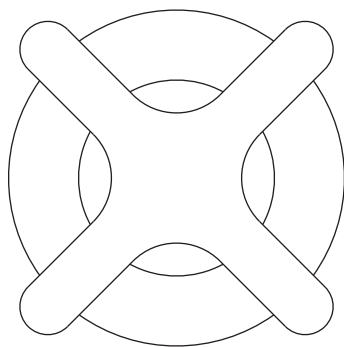
K1-1010

TWO-WAY CROSS HANDLE WALL DIVERTER TRIM ONLY, TO SUIT
R1-4000 ROUGH.

DIMENSIONAL DATA SHEET

DATE: 15 July 2014

No: A66F097



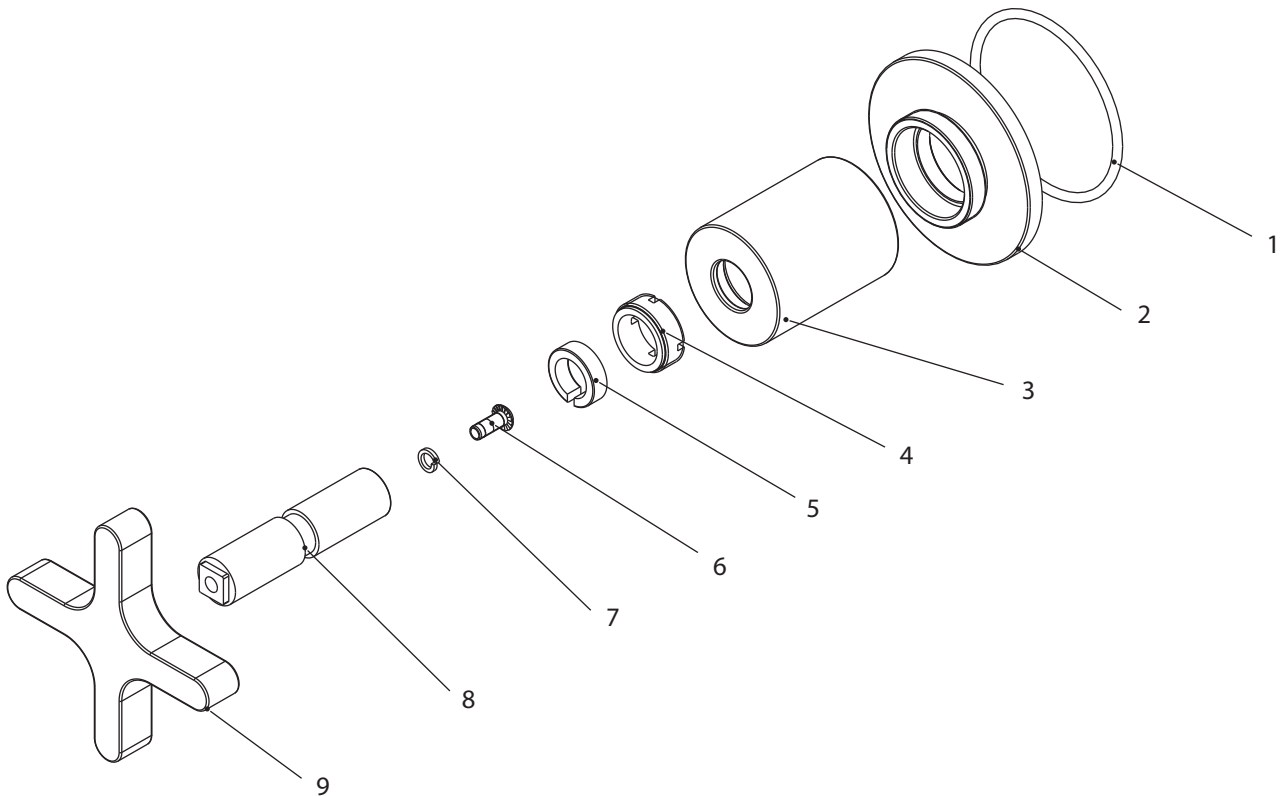
COPYRIGHT © LBIP LTD 2012. ALL RIGHTS RESERVED.

DIMENSIONS IN INCHES & MILLIMETRES

WHILST EVERY EFFORT IS MADE TO ENSURE THE ACCURACY OF THESE DATA SHEETS THEY ARE SUBJECT TO CHANGE WITHOUT NOTICE AS PART OF THE COMPANY'S PRODUCT DEVELOPMENT PROCESS

K1-1010

TWO-WAY CROSS HANDLE WALL DIVERTER TRIM ONLY, TO SUIT R1-4000 ROUGH.



1	O-ring (048062)	4	Adaptor (057507)	7	Washer (013570)
2	Escutcheon (071344-50)	5	Clip (012242)	8	Adaptor (067239)
3	Canopy (018438)	6	Screw (008154)	9	Handle (069688)

Standards

IAPMO/cUPC Listed
Meets A112.18.1

Please note :
Final achievable flow rate is dependent on the outlets fitted, see relevant outlets (spouts, roses, sprays) for fully assembled product flow rate.