



**LEFROY BROOKS**

1 8 2 8 T R O U T M A N S T R E E T  
R I D G E W O O D N E W Y O R K N Y 1 1 3 8 5 U S A  
T : + 1 ( 7 1 8 ) 3 0 2 5 2 9 2 F : + 1 ( 7 1 8 ) 3 0 2 4 1 7 7

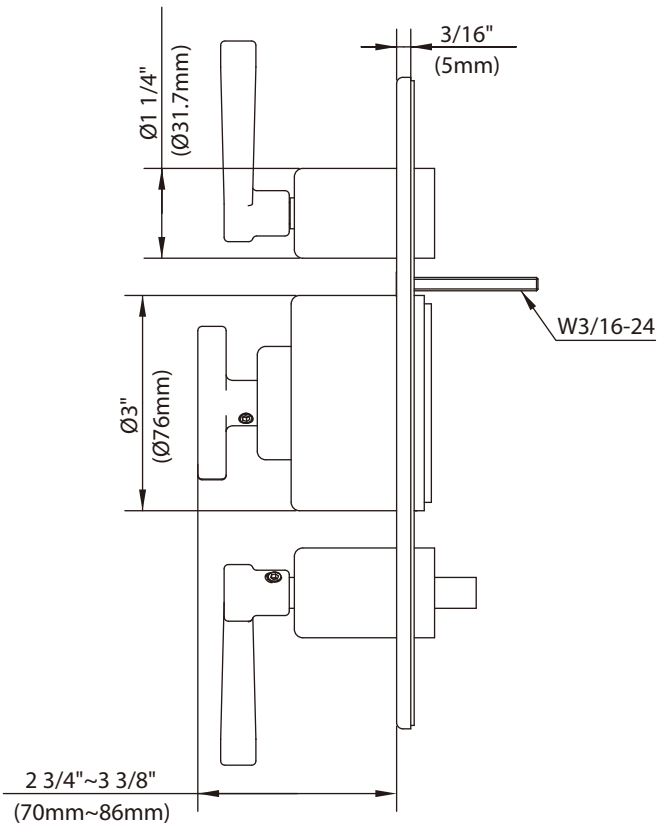
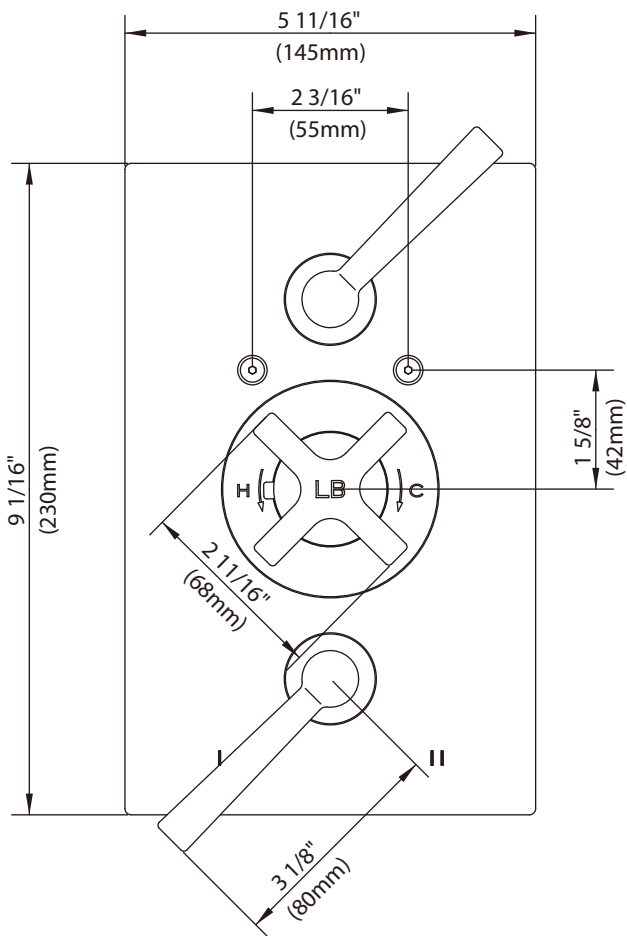
**M2-4404**

FLEETWOOD CROSS HANDLE THERMOSTATIC WITH LEVER FLOW CONTROL & 2-WAY DIVERter TRIM ONLY, TO SUIT M1-4203 ROUGH

**DIMENSIONAL DATA SHEET**

DATE: 10 September 2014

No: A66F261



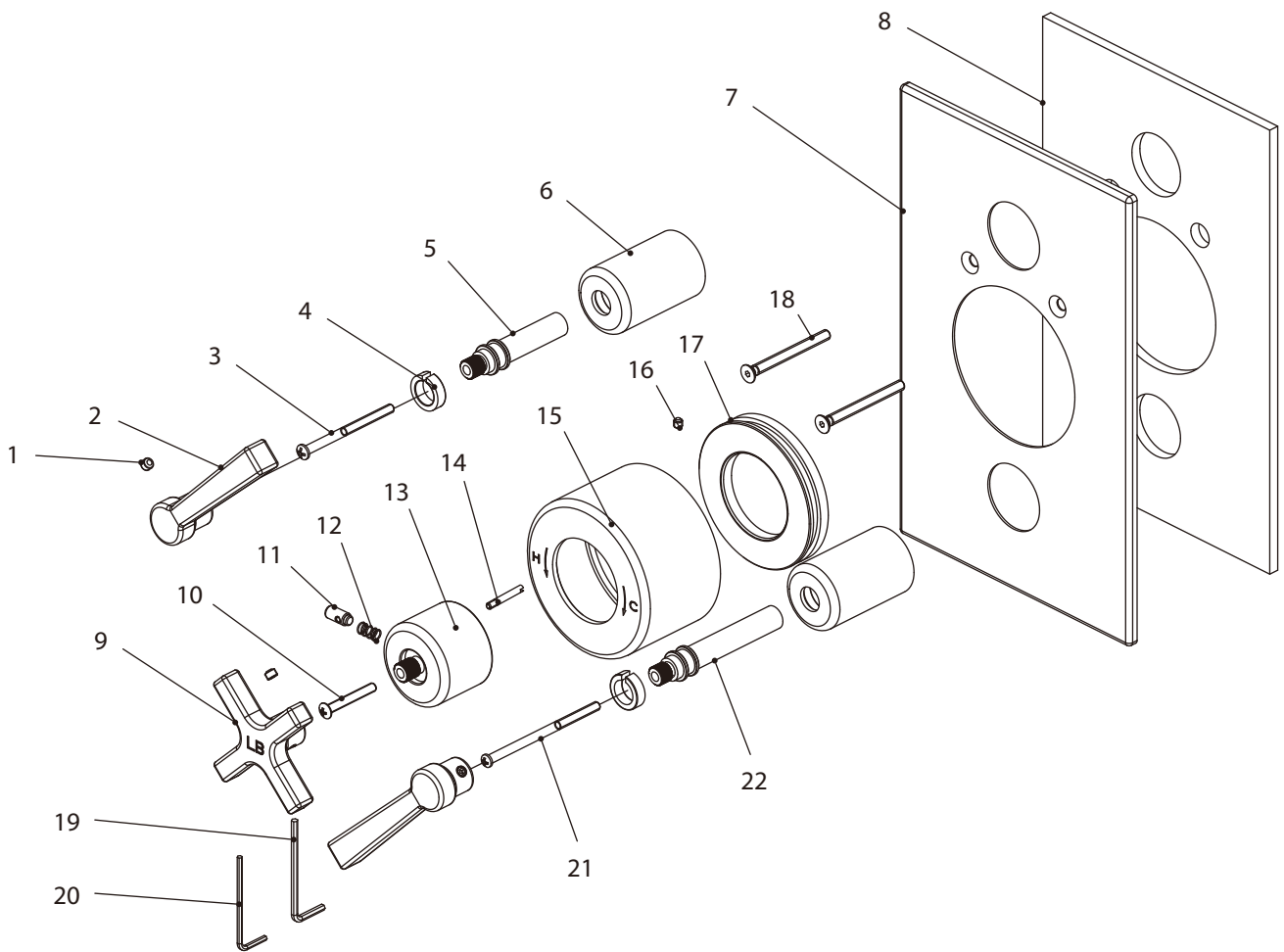
COPYRIGHT © LBP LTD 2012. ALL RIGHTS RESERVED.

DIMENSIONS IN INCHES & MILLIMETRES

WHILST EVERY EFFORT IS MADE TO ENSURE THE ACCURACY OF THESE DATA SHEETS THEY ARE SUBJECT TO CHANGE WITHOUT NOTICE AS PART OF THE COMPANY'S PRODUCT DEVELOPMENT PROCESS

# M2-4404

FLEETWOOD CROSS HANDLE THERMOSTATIC WITH LEVER FLOW CONTROL & 2-WAY DIVERTER TRIM ONLY, TO SUIT M1-4203 ROUGH



1	Set screw (292598)	9	Handle (029685-51)	17	Adjusting ring (104295)
2	Handle (029686)	10	Screw (008994)	18	Screw (008186)
3	Screw (008189)	11	Button (036272)	19	Allen wrench (031000)
4	Clip (012242)	12	Spring (005157)	20	Allen wrench (031003)
5	Spindle (110388)	13	Adaptor (067960)	21	Screw (008196)
6	Canopy (018960)	14	Pin (003147)	22	Spindle (110386)
7	Front panel (006228)	15	Canopy (018959-52)		
8	Seal (013152)	16	Set screw (065086)		

## Standards

IAPMO/cUPC Listed  
Meets A112.18.1

### Please note :

Final achievable flow rate is dependent on the outlets fitted, see relevant outlets (spouts, roses, sprays) for fully assembled product flow rate.