



LEFROY BROOKS

1 8 2 8 T R O U T M A N S T R E E T
R I D G E W O O D N E W Y O R K N Y 1 1 3 8 5 U S A
T : + 1 (7 1 8) 3 0 2 5 2 9 2 F : + 1 (7 1 8) 3 0 2 4 1 7 7

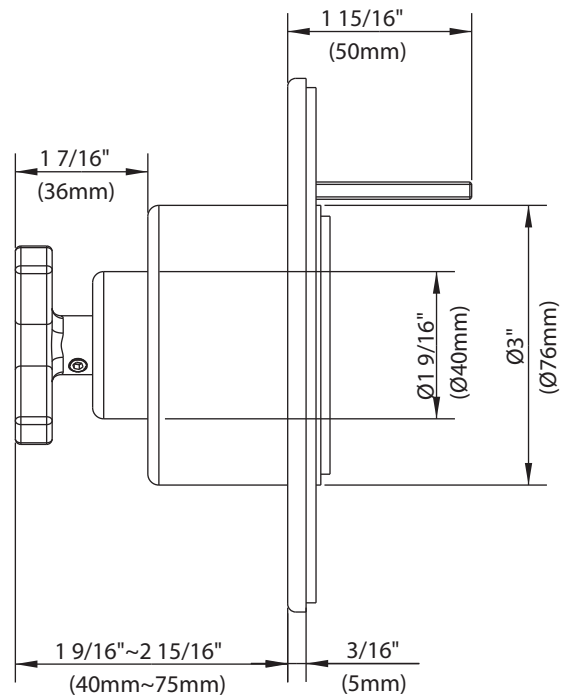
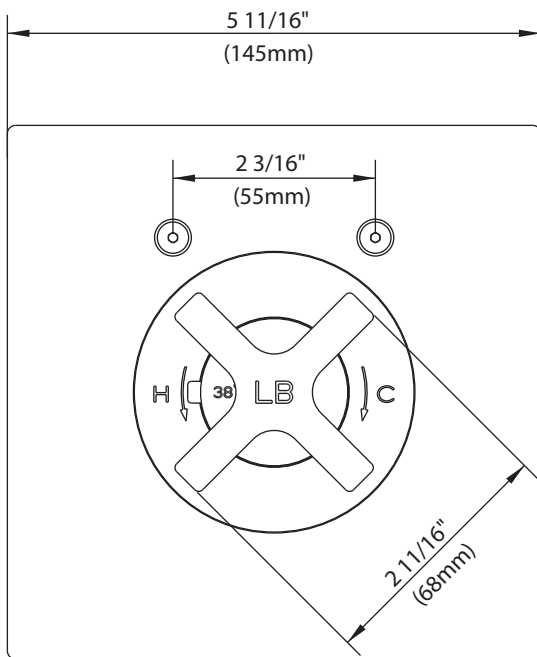
M2-4400

FLEETWOOD SINGLE CROSS HANDLE THERMOSTATIC TRIM ONLY,
TO SUIT M1-4200 ROUGH

DIMENSIONAL DATA SHEET

DATE: 26 January 2016

No: A66F283



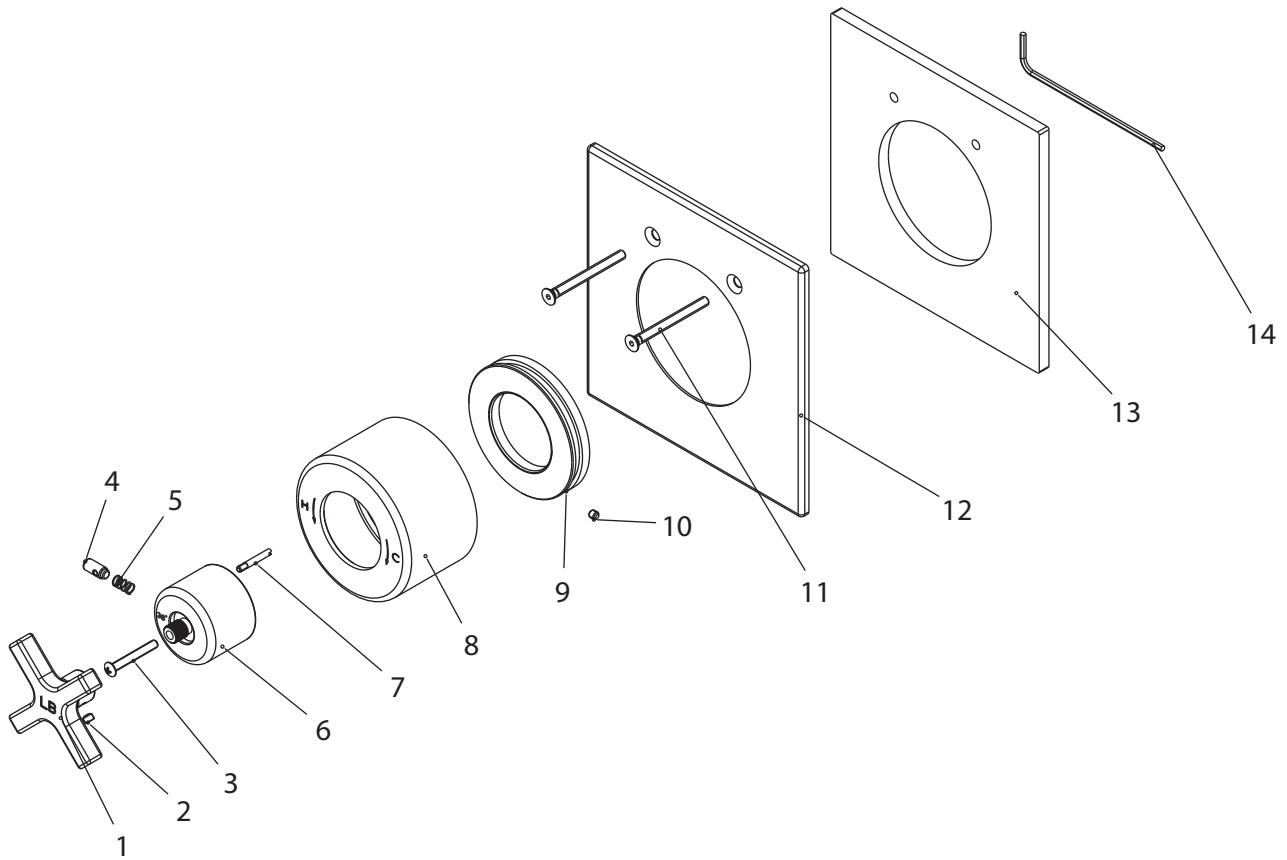
COPYRIGHT © LBIP LTD 2012. ALL RIGHTS RESERVED.

DIMENSIONS IN INCHES & MILLIMETRES

WHILST EVERY EFFORT IS MADE TO ENSURE THE ACCURACY OF THESE DATA SHEETS THEY ARE SUBJECT TO CHANGE WITHOUT NOTICE AS PART OF THE COMPANY'S PRODUCT DEVELOPMENT PROCESS

M2-4400

FLEETWOOD SINGLE CROSS HANDLE THERMOSTATIC TRIM ONLY, TO SUIT M1-4200 ROUGH



- 1 Handle (029685-51)
- 2 Screw (292598)
- 3 Screw (008994)
- 4 Button (036272)
- 5 Spring (005157)

- 6 Adaptor (067960-50)
- 7 Pin (003147)
- 8 Canopy (018959-52)
- 9 Adjusting ring (104295)
- 10 Set screw (065086)

- 11 Screw (008186)
- 12 Front panel (006227)
- 13 Spacer (013119)
- 14 Allen key (031220)

Standards

IAPMO/cUPC Listed
Meets A112.18.1

Please note :
Final achievable flow rate is dependent on the outlets fitted, see relevant outlets (spouts, roses, sprays) for fully assembled product flow rate.