



**LEFROY BROOKS**

1 8 2 8 T R O U T M A N S T R E E T  
R I D G E W O O D N E W Y O R K N Y 1 1 3 8 5 U S A  
T: +1(718) 302 5292 F: +1(718) 302 4177

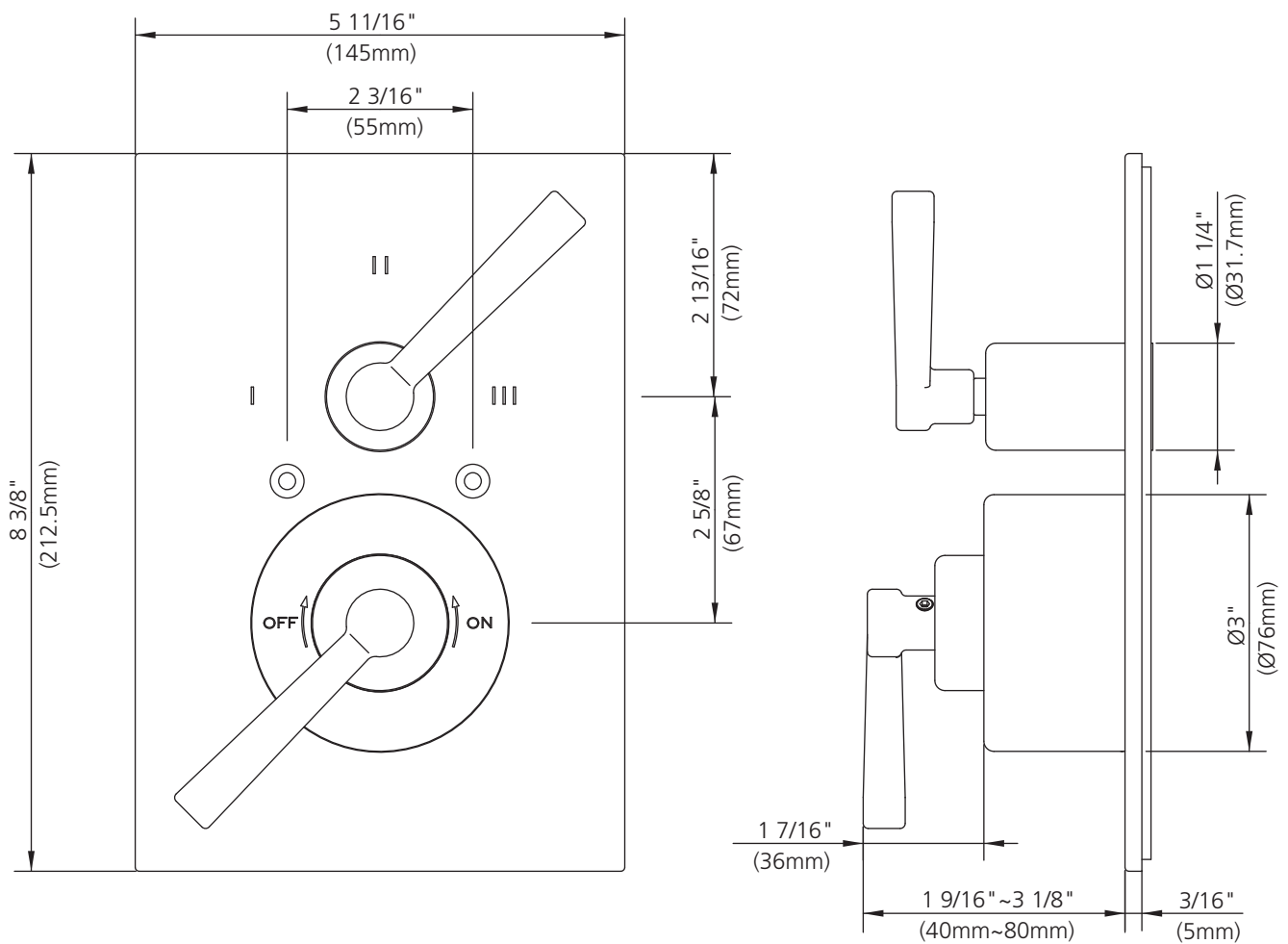
## M2-4309

FLEETWOOD LEVER PRESSURE BALANCE WITH LEVER 3-WAY  
DIVERTER TRIM ONLY, TO SUIT M1-4102 ROUGH

### DIMENSIONAL DATA SHEET

DATE: 28 AUG 2014

No: A66F328



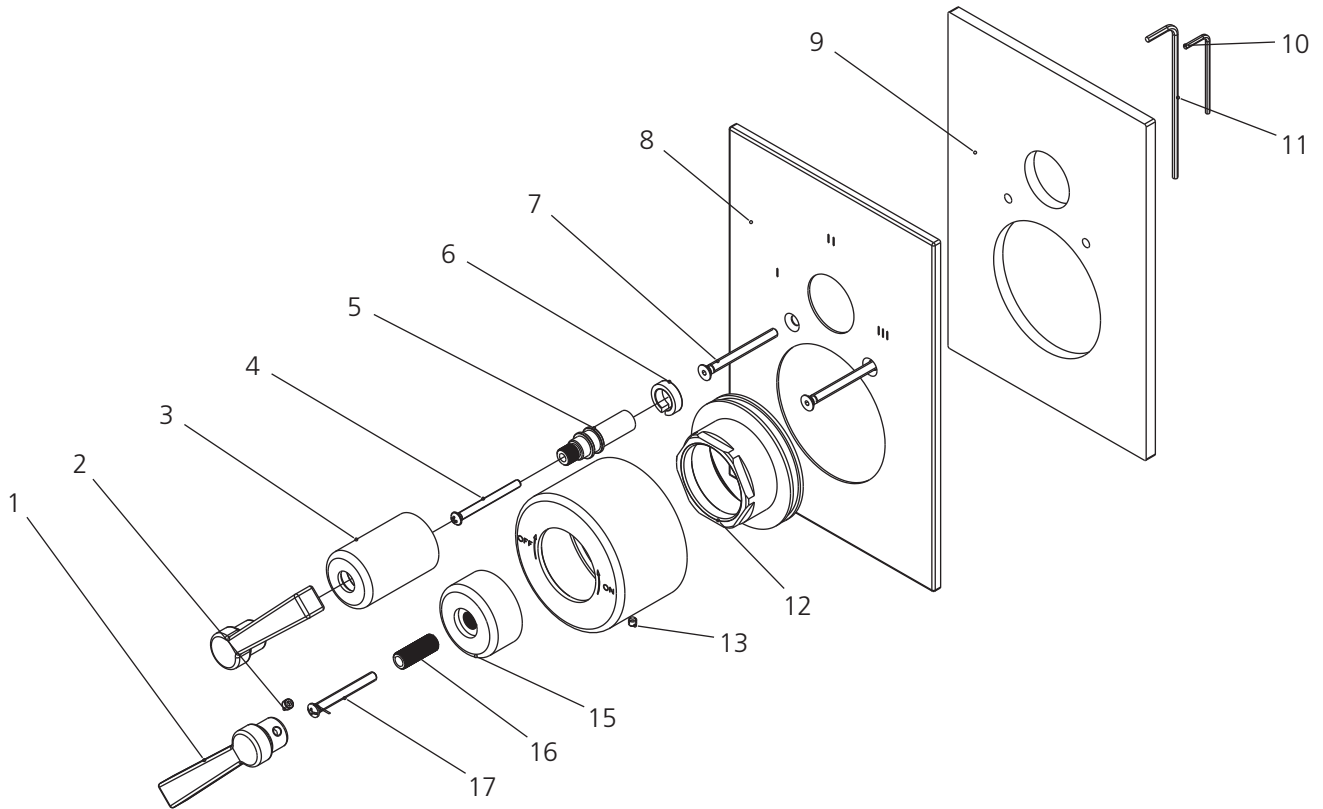
COPYRIGHT © LBIP LTD 2012. ALL RIGHTS RESERVED.

DIMENSIONS IN INCHES & MILLIMETRES

WHILST EVERY EFFORT IS MADE TO ENSURE THE ACCURACY OF THESE DATA SHEETS THEY ARE SUBJECT TO CHANGE WITHOUT NOTICE AS PART OF THE COMPANY'S PRODUCT DEVELOPMENT PROCESS

# M2-4309

FLEETWOOD LEVER PRESSURE BALANCE WITH LEVER 3-WAY DIVERTER TRIM ONLY, TO SUIT M1-4102 ROUGH



1	Handle (029686)	7	Screw (008186)	13	Set screw (065086)
2	Set screw (292598)	8	Front plate (006142-51)	14	Canopy (018959-53)
3	Canopy (018960)	9	Spacer (013118)	15	Canopy (018961)
4	Screw (065035)	10	Allen key (031003)	16	Stem extension (110389)
5	Stem extension (110430)	11	Allen key (031220)	17	Screw (008115)
6	Clip (01224)	12	Adjusting ring (104292)		

## Standards

IAPMO/cUPC Listed  
Meets A112.18.1

Please note :  
Final achievable flow rate is dependent on the outlets fitted, see relevant outlets (spouts, roses, sprays) for fully assembled product flow rate.