



LEFROY BROOKS

1 8 2 8 T R O U T M A N S T R E E T
R I D G E W O O D N E W Y O R K N Y 1 1 3 8 5 U S A
T: +1(718) 302 5292 F: +1(718) 302 4177

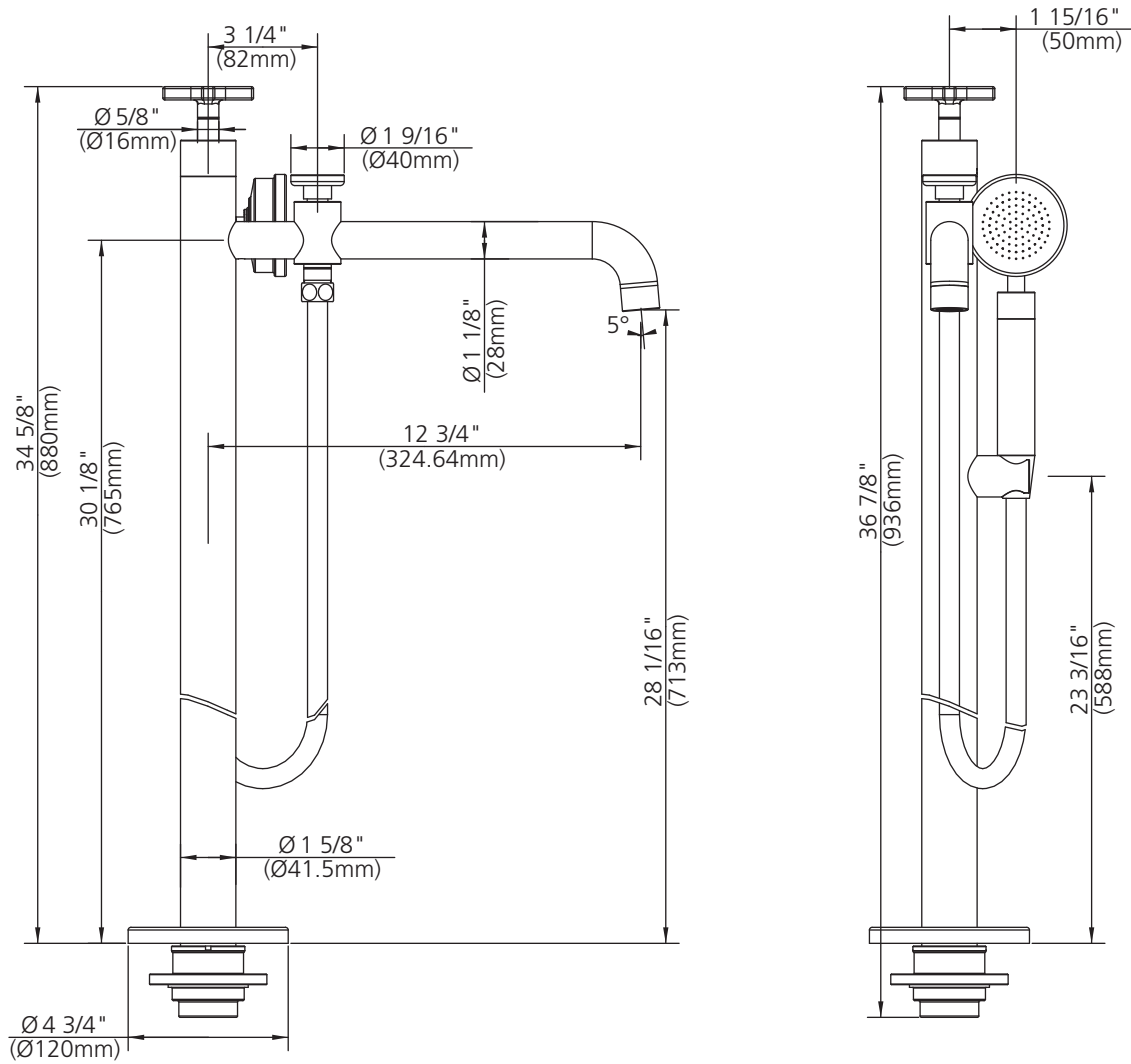
M2-2300

FLEETWOOD CROSS HANDLE SINGLE-LEG BATH SHOWER MIXER
WITH BLACK HANDLE TRIM ONLY, TO SUIT R1-4210 ROUGH

DIMENSIONAL DATA SHEET

DATE: 06 OCT 2014

No: FS1CC700



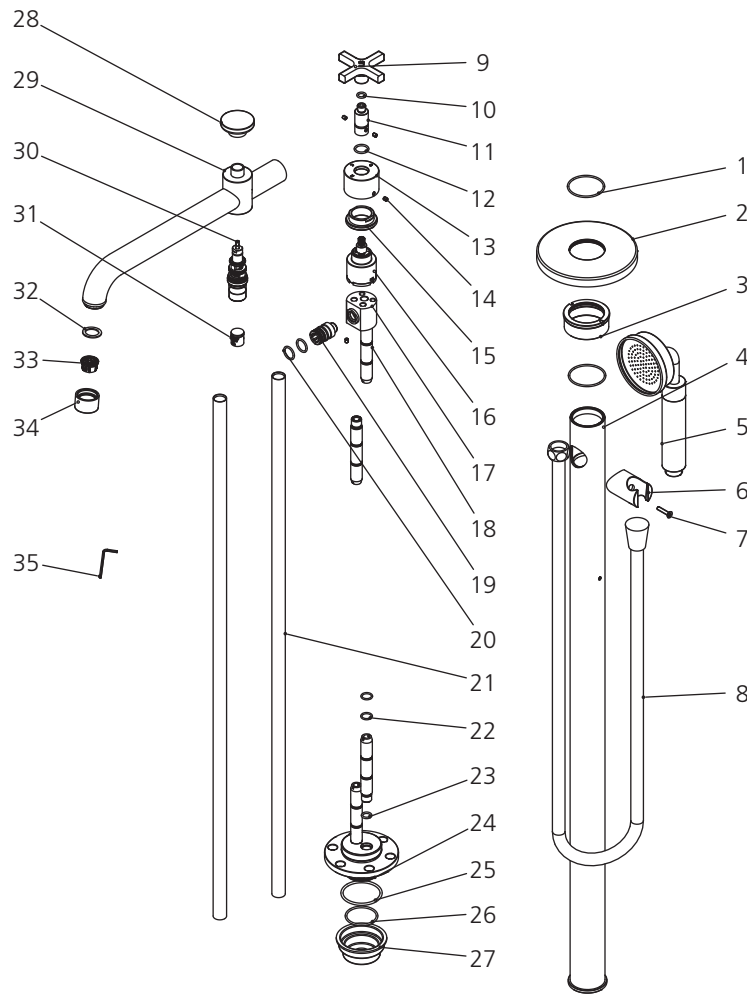
COPYRIGHT © LBIP LTD 2012. ALL RIGHTS RESERVED.

DIMENSIONS IN INCHES & MILLIMETRES

WHILST EVERY EFFORT IS MADE TO ENSURE THE ACCURACY OF THESE DATA SHEETS THEY ARE SUBJECT TO CHANGE WITHOUT NOTICE AS PART OF THE COMPANY'S PRODUCT DEVELOPMENT PROCESS

M2-2300

FLEETWOOD CROSS HANDLE SINGLE-LEG BATH SHOWER MIXER WITH BLACK HANDLE TRIM ONLY, TO SUIT R1-4210 ROUGH

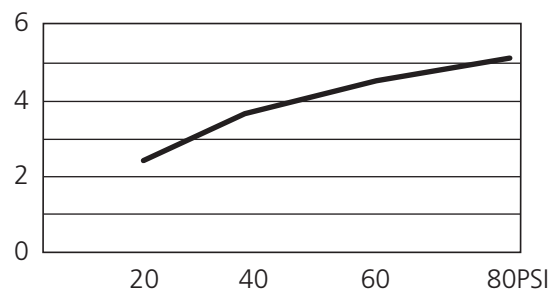


- | | | | | | |
|----|--------------------------|----|-------------------------|----|-----------------------------|
| 1 | O-ring (072014) | 13 | Handle base (215531-50) | 25 | O-ring (004045N) |
| 2 | Flange (019319) | 14 | Set screw (008191) | 26 | O-ring (072088N) |
| 3 | Nut (009288) | 15 | Adjusting ring (104257) | 27 | Protective Cap (045247) |
| 4 | Connection tube (064320) | 16 | Cartridge (507917) | 28 | Button (036270) |
| 5 | Hand shower (S2110314) | 17 | Inside body (066551) | 29 | Spout Assembly (523835) |
| 6 | Shower bracket (112424) | 18 | Adapter (067928) | 30 | Diverter (501347E) |
| 7 | Screw (008734) | 19 | Adapter (067927) | 31 | Backflow Preventer (519208) |
| 8 | Shower hose (105681) | 20 | O-ring (072016) | 32 | Oil seal (010899) |
| 9 | Handle (069260) | 21 | Internal pipe (051645) | 33 | Aerator insert (114237R) |
| 10 | O-ring (048015) | 22 | O-ring (048085) | 34 | Aerator housing (305781) |
| 11 | Extension rod (110489) | 23 | O-ring (004509N) | 35 | Allen key (031003) |
| 12 | O-ring (004076) | 24 | Body (076701) | | |

Standards

IAPMO/cUPC Listed
Meets A112.18.1

Flow Rate



Please note :

Final achievable flow rate is dependent on the outlets fitted, see relevant outlets (spouts, roses, sprays) for fully assembled product flow rate.