



LEFROY BROOKS

1 8 2 8 T R O U T M A N S T R E E T
R I D G E W O O D N E W Y O R K N Y 1 1 3 8 5 U S A
T : + 1 (7 1 8) 3 0 2 5 2 9 2 F : + 1 (7 1 8) 3 0 2 4 1 7 7

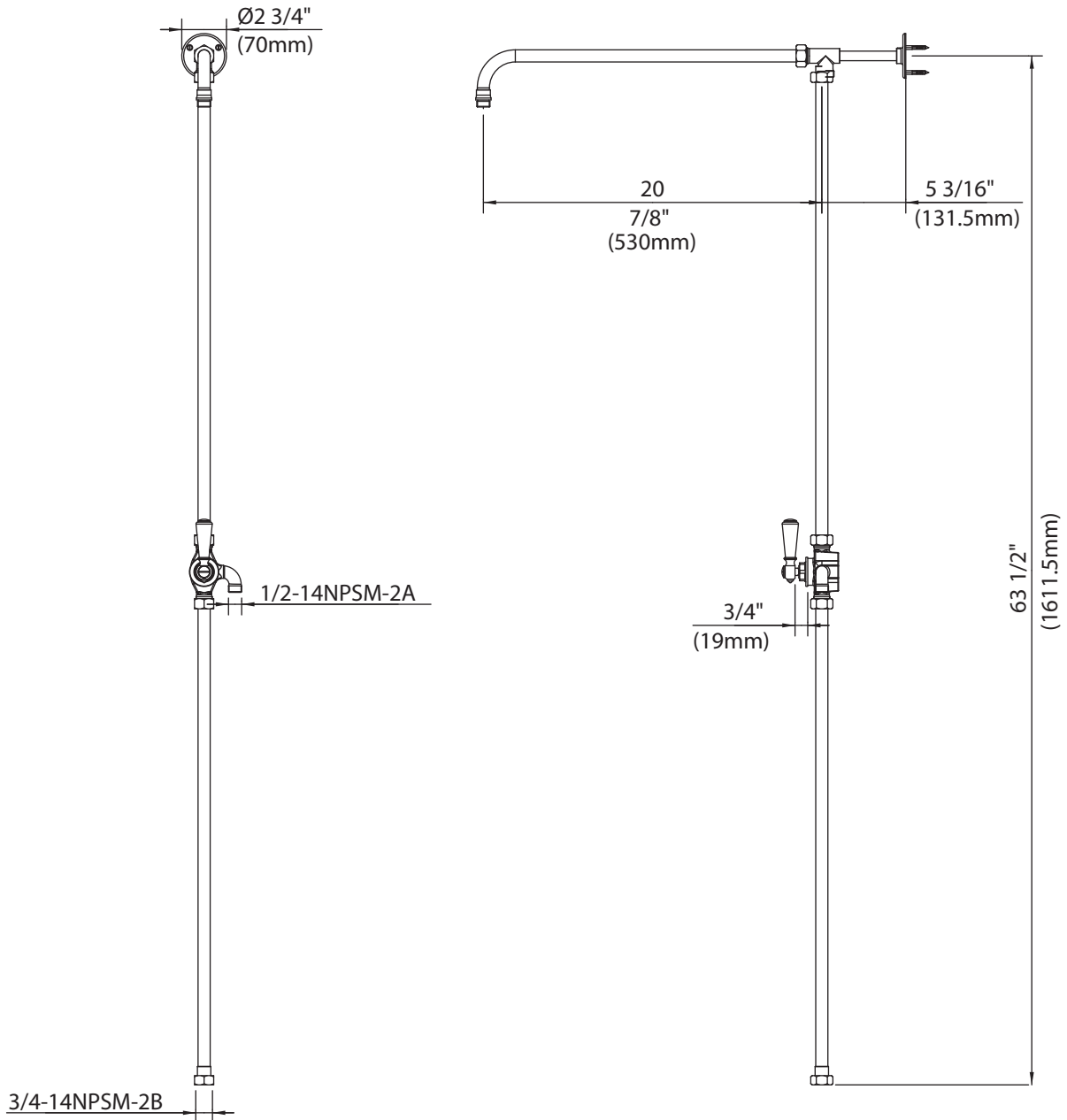
CW-4626

RISER KIT WITH WHITE LEVER DIVERTER TO SUIT WALLMOUNTED
EXPOSED VALVES & BATH/ SHOWER VALVES

DIMENSIONAL DATA SHEET

DATE: 14 March 2016

No: A66F330



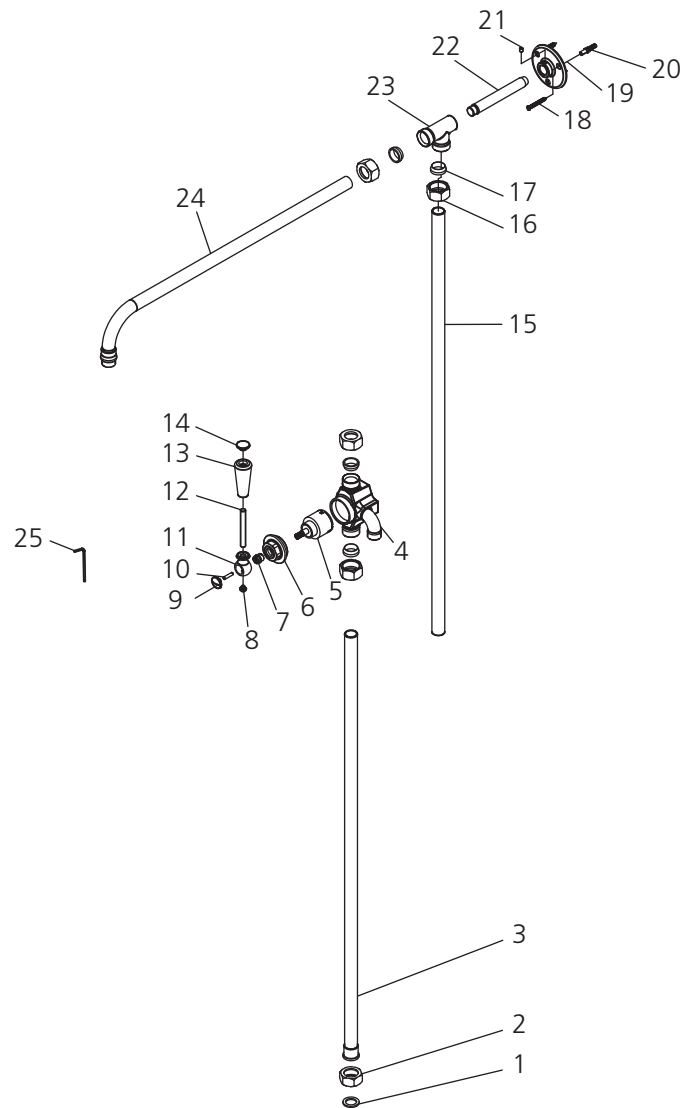
COPYRIGHT © LBIP LTD 2012. ALL RIGHTS RESERVED.

DIMENSIONS IN INCHES & MILLIMETRES

WHILST EVERY EFFORT IS MADE TO ENSURE THE ACCURACY OF THESE DATA SHEETS THEY ARE SUBJECT TO CHANGE WITHOUT NOTICE AS PART OF THE COMPANY'S PRODUCT DEVELOPMENT PROCESS

CW-4626

RISER KIT WITH WHITE LEVER DIVERTER TO SUIT WALLMOUNTED EXPOSED VALVES & BATH/ SHOWER VALVES



1	Oil seal (010077)	10	Screw (008245)	19	Wall bracket (120289)
2	Nut (009078)	11	Lever seat (205461)	20	Plastic anchor (291000)
3	Riser kit (064044)	12	Rod (017094)	21	Screw (008003)
4	Body (066014)	13	Lever (108924)	22	Connecting tube (017981)
5	Diverter Cartridge (507775N)	14	Lever cap (109376)	23	Adaptor (077094)
6	Nut (009341)	15	Riser kit (051458)	24	Shower arm (035544)
7	Adaptor (067580)	16	Nut (009078-T)	25	Allen key (031000)
8	Handle cap (109377)	17	Compression olive (126135)		
9	Slot Cap (008247)	18	Hex socket set screw (008706)		

Standards

IAPMO/cUPC Listed
Meets A112.18.1

Please note :

Final achievable flow rate is dependent on the outlets fitted, see relevant outlets (spouts, roses, sprays) for fully assembled product flow rate.