



LEFROY BROOKS

1 8 2 8 T R O U T M A N S T R E E T
R I D G E W O O D N E W Y O R K N Y 1 1 3 8 5 U S A
T: +1(718) 302 5292 F: +1(718) 302 4177

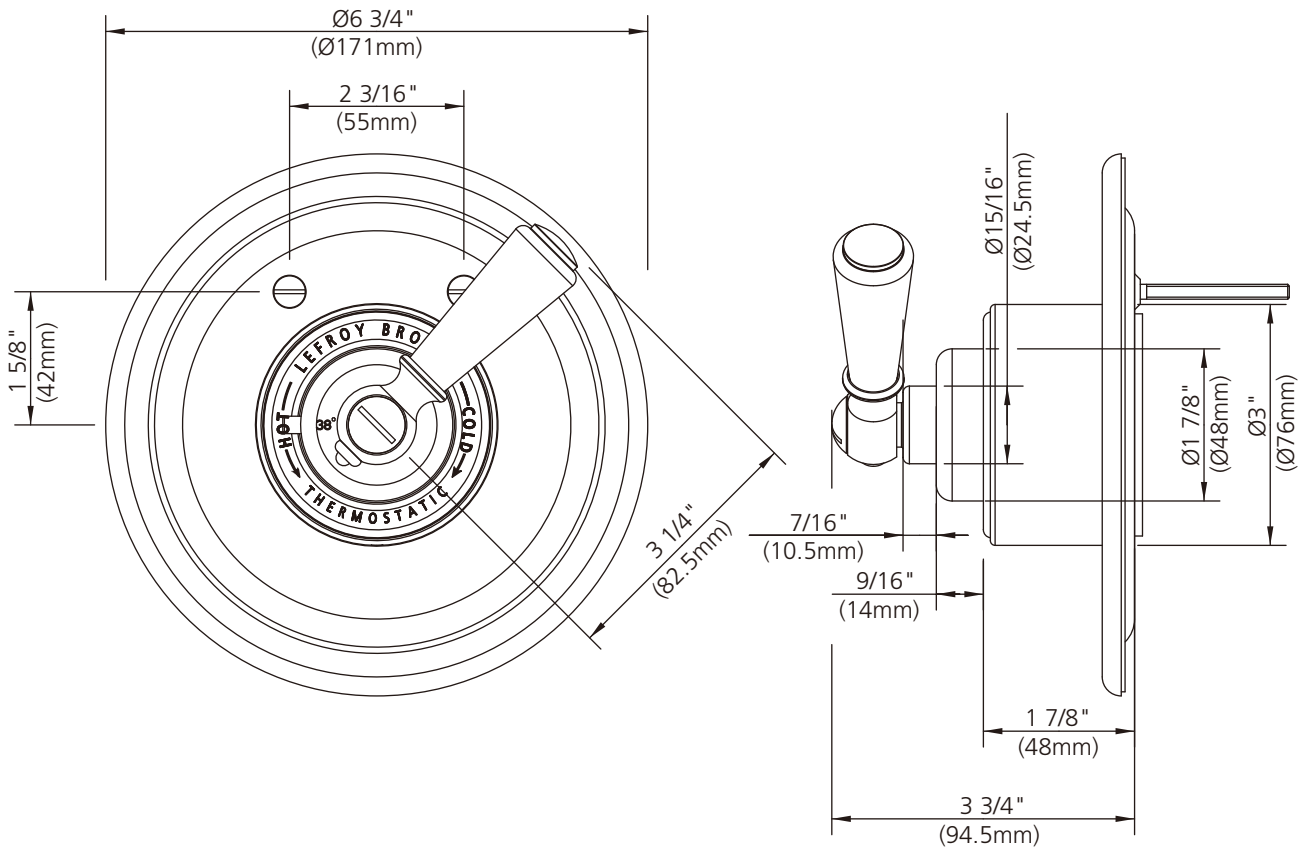
CW-4076

WHITE LEVER ARCHIPELAGO THERMOSTATIC VALVE TRIM ONLY,
TO SUIT M1-4200 ROUGH

DIMENSIONAL DATA SHEET

DATE: 25 February 2014

No: A66F599CWJB



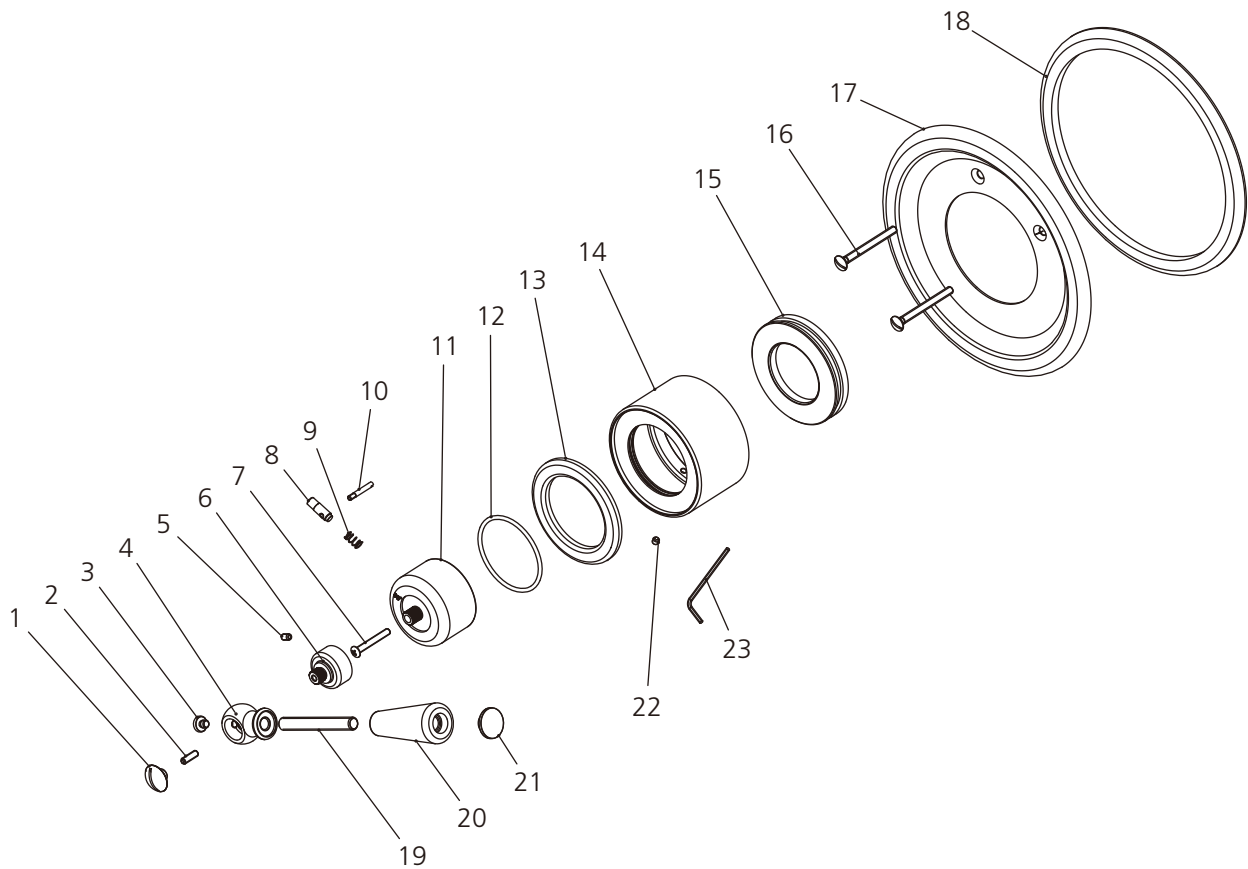
COPYRIGHT © LBIP LTD 2012. ALL RIGHTS RESERVED.

DIMENSIONS IN INCHES & MILLIMETRES

WHILST EVERY EFFORT IS MADE TO ENSURE THE ACCURACY OF THESE DATA SHEETS THEY ARE SUBJECT TO CHANGE WITHOUT NOTICE AS PART OF THE COMPANY'S PRODUCT DEVELOPMENT PROCESS

CW-4076

WHITE LEVER ARCHIPELAGO THERMOSTATIC VALVE TRIM ONLY, TO SUIT M1-4200 ROUGH



1	Slotted head (008291)	9	Spring (005157)	17	Front plate (006225)
2	Set screw (292556)	10	Pin (003147)	18	Seal (013007)
3	End cap (109377)	11	Canopy (018204-50)	19	Screw bolt (017094)
4	Lever seat (205002)	12	O-ring (004623R)	20	Handle sleeve (108924)
5	Set screw (075018)	13	Ceramic ring (023660)	21	Handle-end cap (109376)
6	Adaptor (205003)	14	Canopy (018394)	22	Set screw (065086)
7	Screw (008994)	15	Adjusting ring (104295)	23	Allen key (031003)
8	Button (036292)	16	Screw (008101)		

Standards

IAPMO/cUPC Listed
Meets A112.18.1

Please note :
Final achievable flow rate is dependent on the outlets fitted, see relevant outlets (spouts, roses, sprays) for fully assembled product flow rate.