



LEFROY BROOKS

1 8 2 8 T R O U T M A N S T R E E T  
R I D G E W O O D N E W Y O R K N Y 1 1 3 8 5 U S A  
T: +1(718) 302 5292 F: +1(718) 302 4177

CW-2670 (GD8823)

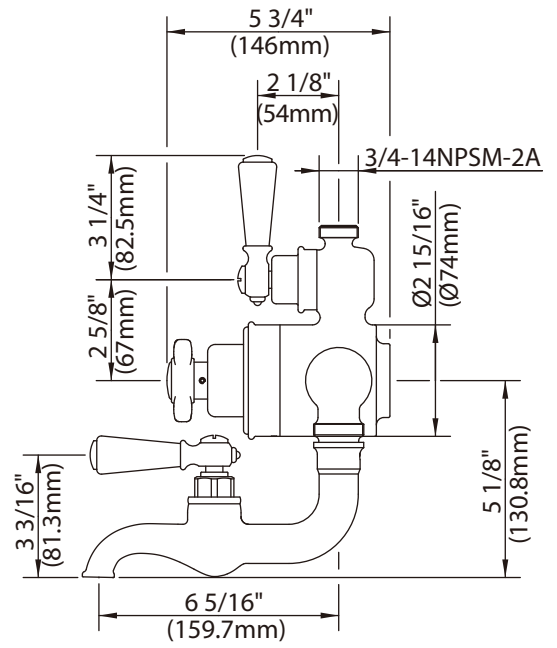
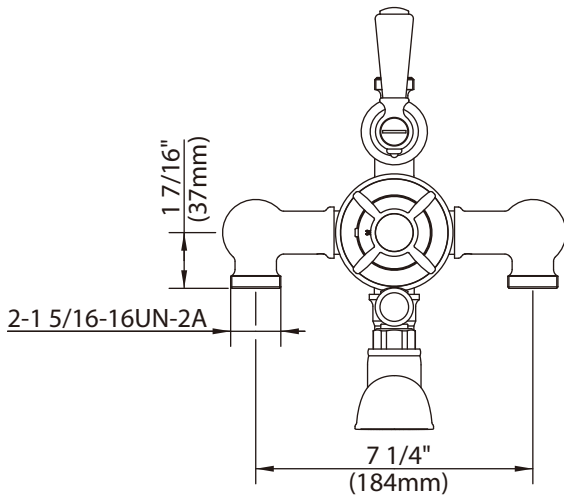
EXPOSED WHITE LEVER THERMOSTATIC BATH & SHOWER VALVE

DIMENSIONAL DATA SHEET

DATE: 23 November 2012

No: F24B6700

COPYRIGHT © LBP LTD 2012. ALL RIGHTS RESERVED.

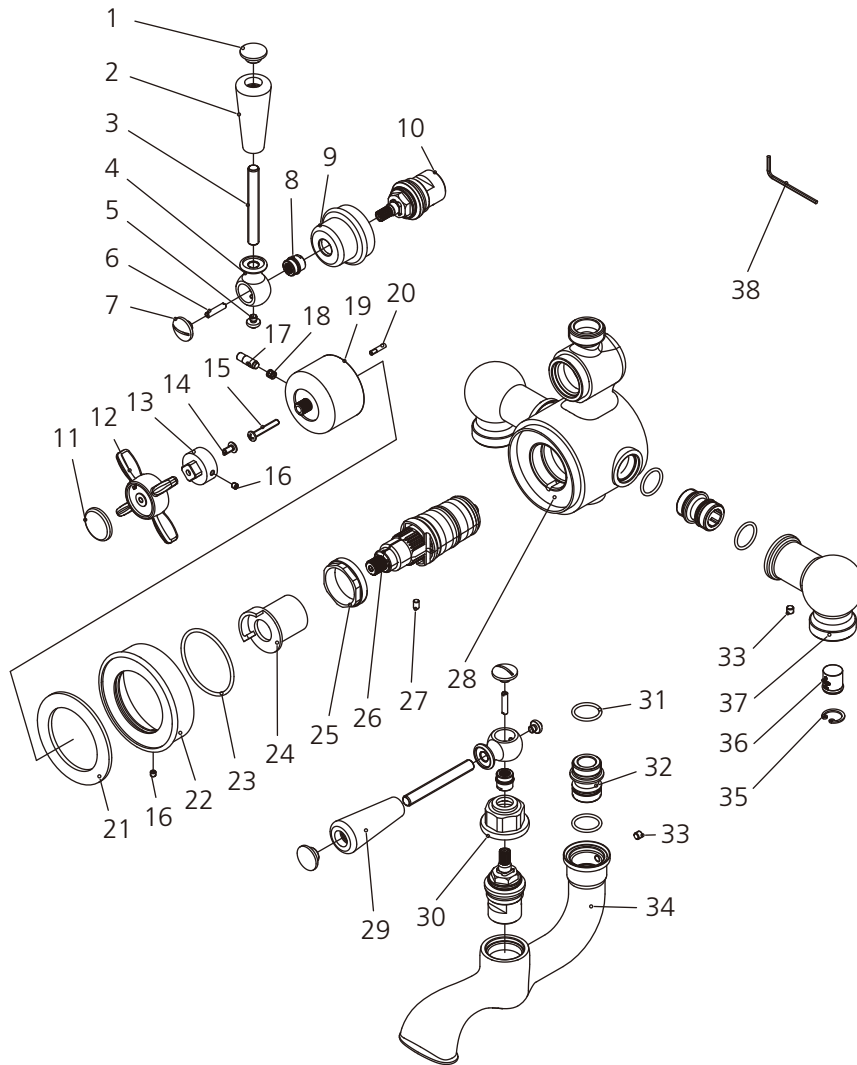


DIMENSIONS IN INCHES & MILLIMETRES

WHILST EVERY EFFORT IS MADE TO ENSURE THE ACCURACY OF THESE DATA SHEETS THEY ARE SUBJECT TO CHANGE WITHOUT NOTICE AS PART OF THE COMPANY'S PRODUCT DEVELOPMENT PROCESS

# CW-2670 (GD8823)

EXPOSED WHITE LEVER THERMOSTATIC BATH & SHOWER VALVE

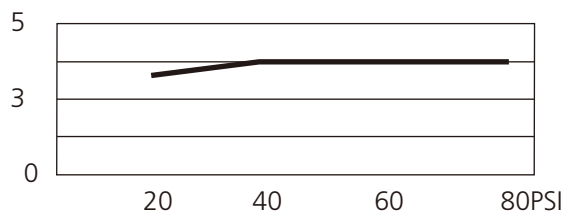


1	Lever cap (109376)	14	Screw (065172)	27	Pin (003146)
2	Lever (108924-50)	15	Screw (065152)	28	Body (066017-50)
3	Screw (017094)	16	Set screw (065086)	29	Lever (108924)
4	Lever seat (205461)	17	Button (036292)	30	Canopy (018236)
5	End cap (109377)	18	Spring (005157)	31	O-ring (004074N)
6	Screw (008245)	19	Canopy (018199-50)	32	Adaptor (077124)
7	Slotted head (008247)	20	Pin (003168)	33	Screw (008005)
8	Adaptor (067580)	21	Ceramic ring (023660)	34	Spout (118557)
9	Canopy (018206)	22	Canopy (018205)	35	Elastic clip (045165)
10	Cartridge (507455)	23	O-ring (004623R)	36	Check valve (519230)
11	Handle cap (206243)	24	Stopper (049108)	37	Adaptor (077123)
12	Cross handle (069906)	25	Retaining nut (104298)	38	Allen key (031003)
13	Handle adaptor (205462)	26	Thermostatic cartridge (507132)		

## Standards

IAPMO/cUPC Listed  
Meets A112.18.1  
Meets ASSE 1016

## Flow Rate



Please note :

Final achievable flow rate is dependent on the outlets fitted, see relevant outlets (spouts, roses, sprays) for fully assembled product flow rate.