



LEFROY BROOKS

1 8 2 8 T R O U T M A N S T R E E T
R I D G E W O O D N E W Y O R K N Y 1 1 3 8 5 U S A
T : + 1 (7 1 8) 3 0 2 5 2 9 2 F : + 1 (7 1 8) 3 0 2 4 1 7 7

CB-4076

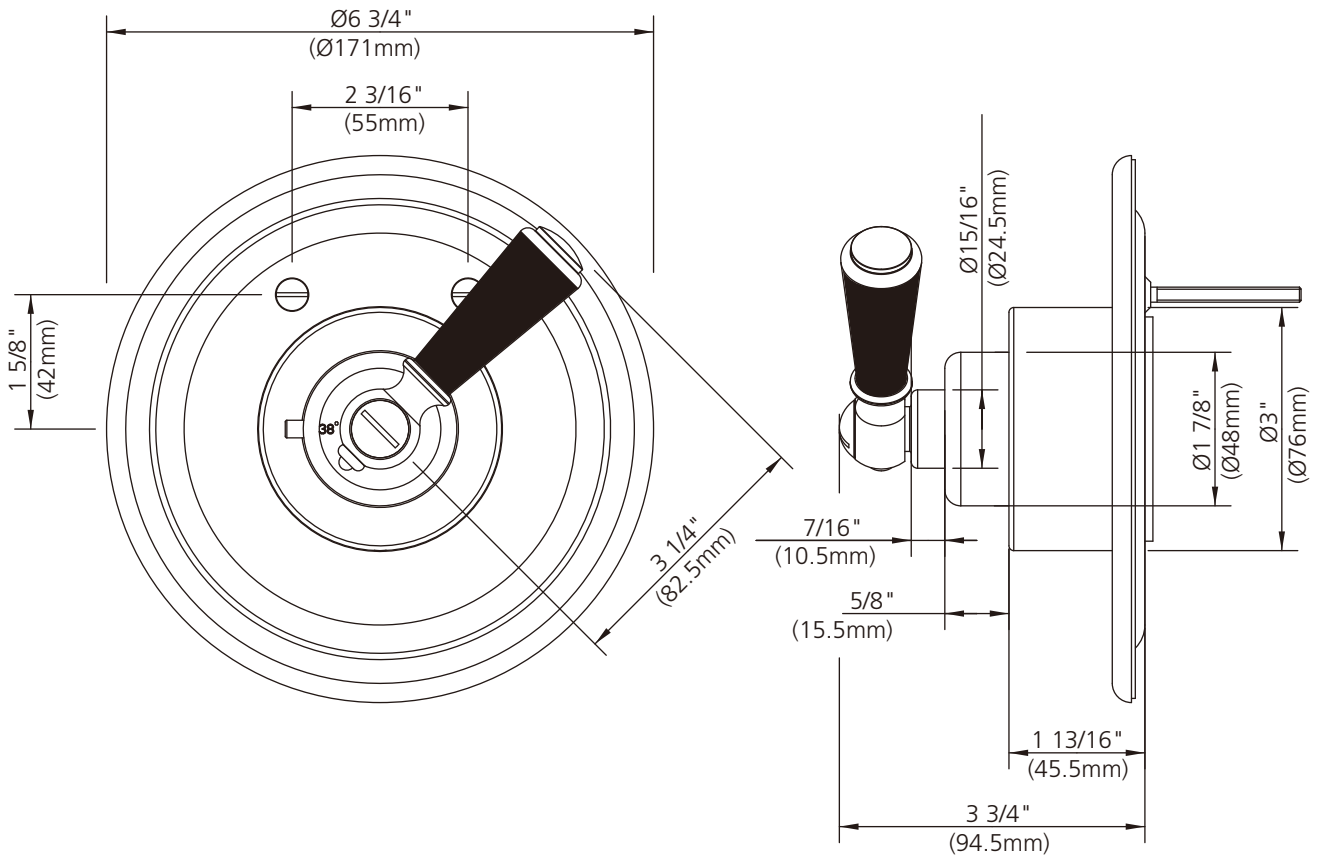
BLACK LEVER ARCHIPELAGO THERMOSTATIC VALVE TRIM ONLY,
TO SUIT M1-4200 ROUGH

DIMENSIONAL DATA SHEET

DATE: 25 February 2014

No: A66F599CKJA

COPYRIGHT © LBIP LTD 2012. ALL RIGHTS RESERVED.

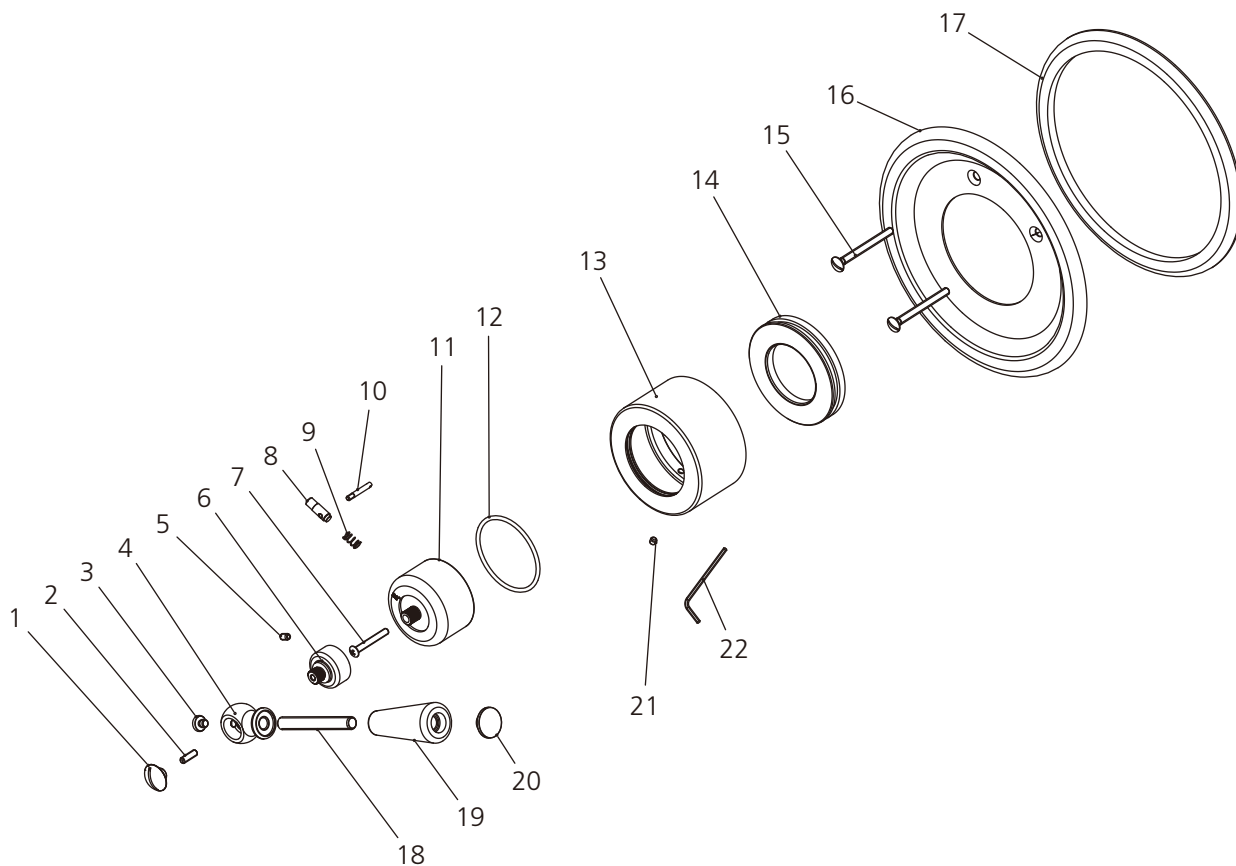


DIMENSIONS IN INCHES & MILLIMETRES

WHILST EVERY EFFORT IS MADE TO ENSURE THE ACCURACY OF THESE DATA SHEETS THEY ARE SUBJECT TO CHANGE WITHOUT NOTICE AS PART OF THE COMPANY'S PRODUCT DEVELOPMENT PROCESS

CB-4076

BLACK LEVER ARCHIPELAGO THERMOSTATIC VALVE TRIM ONLY, TO SUIT M1-4200 ROUGH



1	Slotted head (008291)	9	Spring (005157)	17	Seal (013007)
2	Set screw (292556)	10	Pin (003147)	18	Screw bolt (017094)
3	End cap (109377)	11	Canopy (018204-50)	19	Handle sleeve (108924)
4	Lever seat (205002)	12	O-ring (004623R)	20	Handle-end cap (109376)
5	Set screw (075018)	13	Canopy (018235-50)	21	Set screw (065086)
6	Adaptor (205003)	14	Adjusting ring (104295)	22	Allen key (031003)
7	Screw (008994)	15	Screw (008101)		
8	Button (036292)	16	Front plate (006225)		

Standards

IAPMO/cUPC Listed
Meets A112.18.1

Please note :

Final achievable flow rate is dependent on the outlets fitted, see relevant outlets (spouts, roses, sprays) for fully assembled product flow rate.