



**LEFROY BROOKS**

1 8 2 8 T R O U T M A N S T R E E T  
R I D G E W O O D N E W Y O R K N Y 1 1 3 8 5 U S A  
T: +1(718) 302 5292 F: +1(718) 302 4177

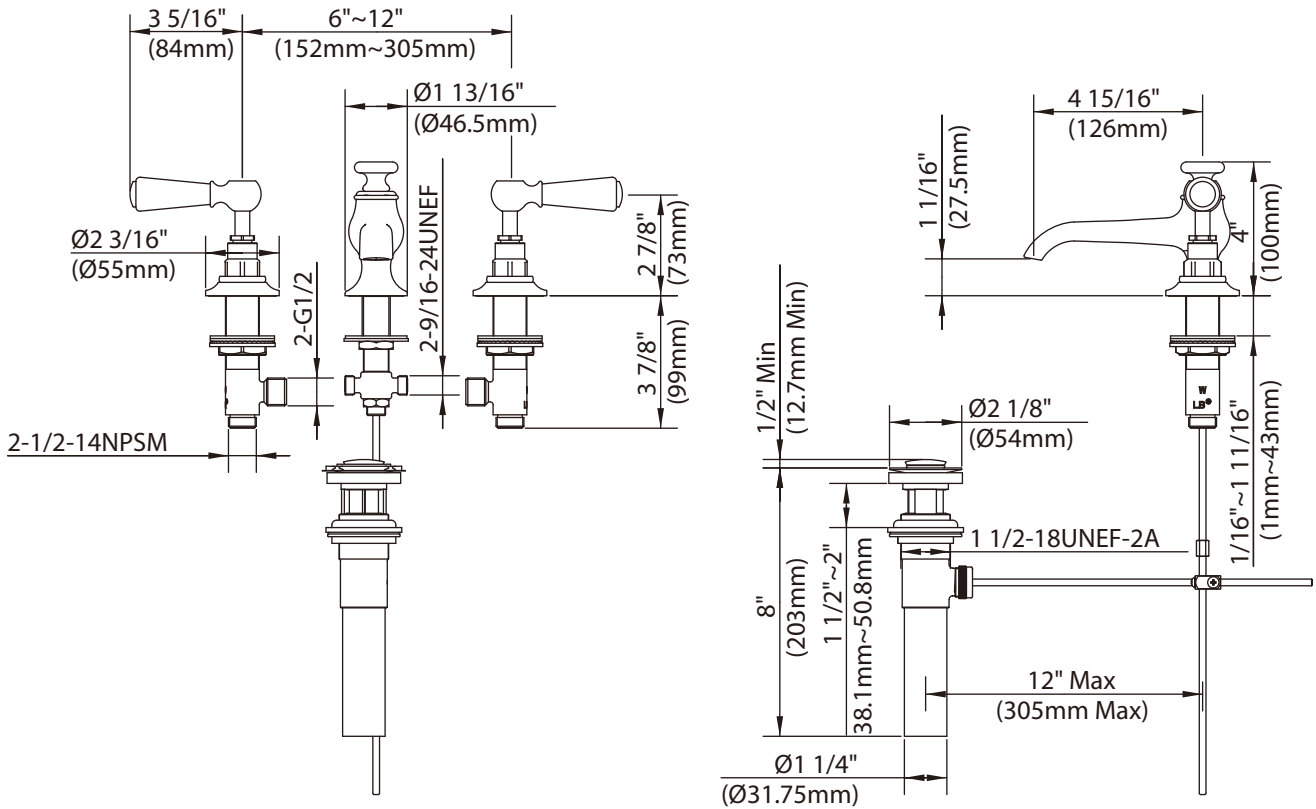
**CB-1105 (BL1224)**

BLACK LEVER CONNAUGHT 3-HOLE BASIN MIXER WITH POP-UP  
WASTE

**DIMENSIONAL DATA SHEET**

DATE: 16 November 2012

No: FW2B6203



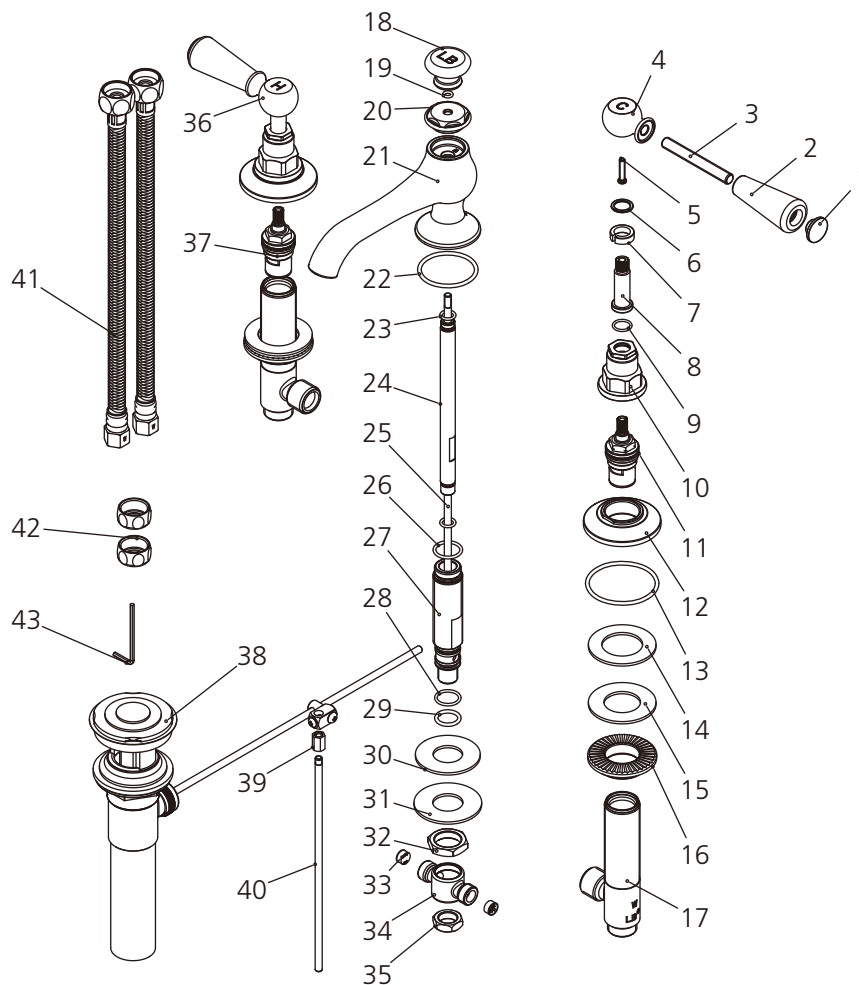
COPYRIGHT © LBIP LTD 2012. ALL RIGHTS RESERVED.

DIMENSIONS IN INCHES & MILLIMETRES

WHILST EVERY EFFORT IS MADE TO ENSURE THE ACCURACY OF THESE DATA SHEETS THEY ARE SUBJECT TO CHANGE WITHOUT NOTICE AS PART OF THE COMPANY'S PRODUCT DEVELOPMENT PROCESS

# CB-1105 (BL1224)

BLACK LEVER CONNAUGHT 3-HOLE BASIN MIXER WITH POP-UP WASTE

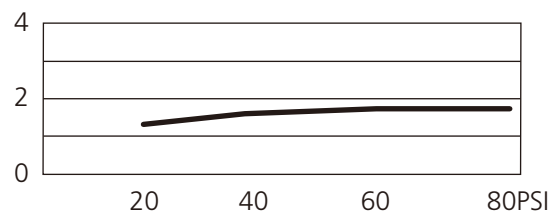


1	Lever cap (109376)	15	Washer (013158)	30	Washer (060041)
2	Lever (108924)	16	Nut (009834)	31	Washer (013202)
3	Screw (017094)	17	Side body (061893W)	32	Nut (009009)
4	Lever seat (205143C)	18	Pop-up knob (124409-50)	33	Flow restrictor (519233N)
5	Screw (008486)	19	O-ring (048044)	34	Connector (015001W)
6	Washer (013224)	20	Adaptor (039154)	35	Nut (009002)
7	Clip (012242)	21	Spout (118012W-55)	36	Lever seat (205143H)
8	Stem extension (110461)	22	O-ring (048036)	37	Cartridge assembly ( H ) (507175W)
9	O-ring (048085)	23	O-ring (004001N)	38	Pop-up sub-assembly (556781)
10	Canopy (018220)	24	Steel tube (043101)	39	Adaptor (077125)
11	Cartridge assembly ( C ) (507176W)	25	Pop-up rod (125063)	40	Pop-up rod (110041)
12	Escutcheon (215486)	26	O-ring (004043N)	41	Flexible hose (105750W)
13	O-ring (004627)	27	Connecting body (014016W)	42	Coupling nut (504003)
14	Oil-seal (010017)	28	O-ring (004115N)	43	Allen key (031000)
		29	O-ring (004005N)		

## Standards

IAPMO/cUPC Listed  
Meets NSF 61-9  
Meets A112.18.1

## Flow Rate



Please note :

Final achievable flow rate is dependent on the outlets fitted, see relevant outlets (spouts, roses, sprays) for fully assembled product flow rate.