



**LEFROY BROOKS**

1 8 2 8 T R O U T M A N S T R E E T  
R I D G E W O O D N E W Y O R K N Y 1 1 3 8 5 U S A  
T : + 1 ( 7 1 8 ) 3 0 2 5 2 9 2 F : + 1 ( 7 1 8 ) 3 0 2 4 1 7 7

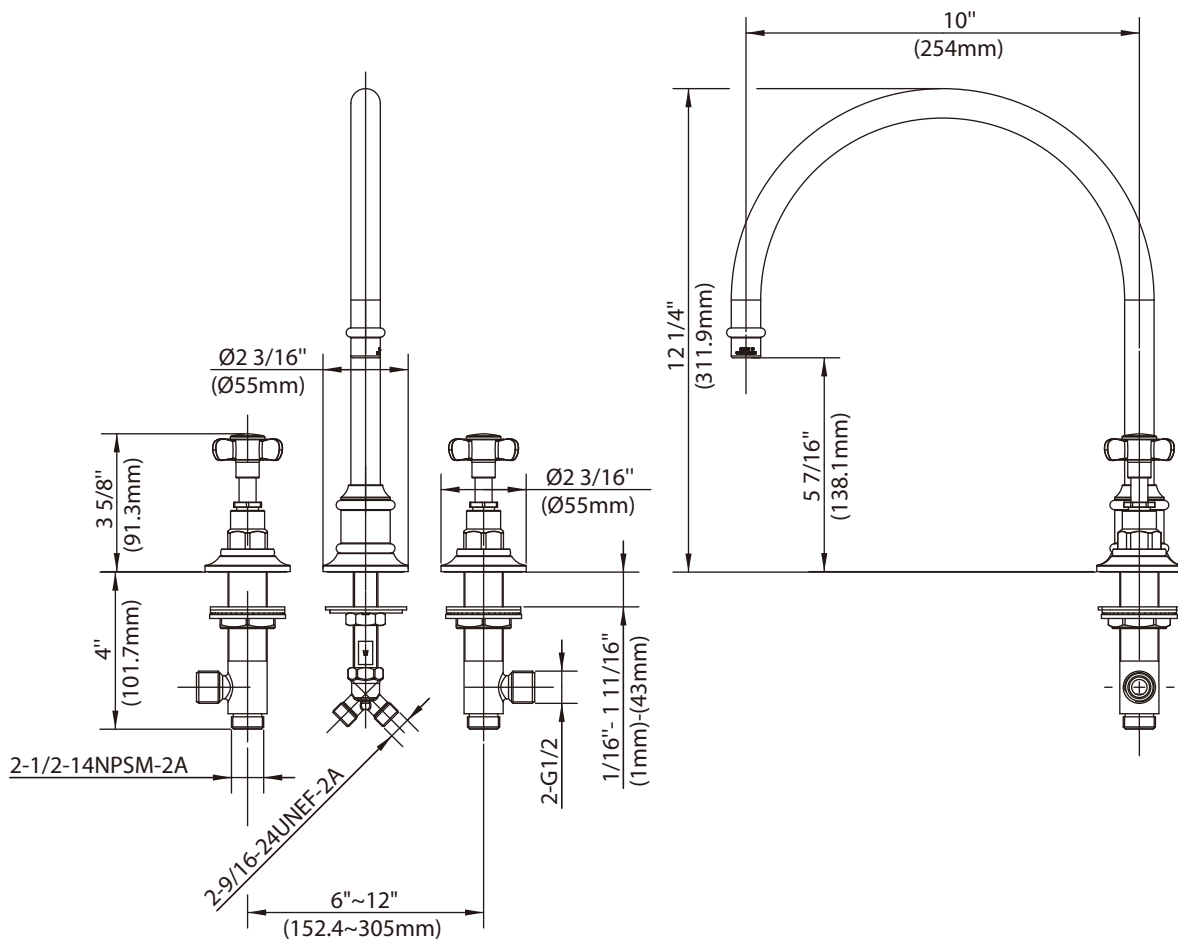
**C1-4710 (LB1560)**

CROSS HANDLE TUBULAR 3-HOLE KITCHEN MIXER

**DIMENSIONAL DATA SHEET**

DATE: 27 November 2013

No: F86JC000



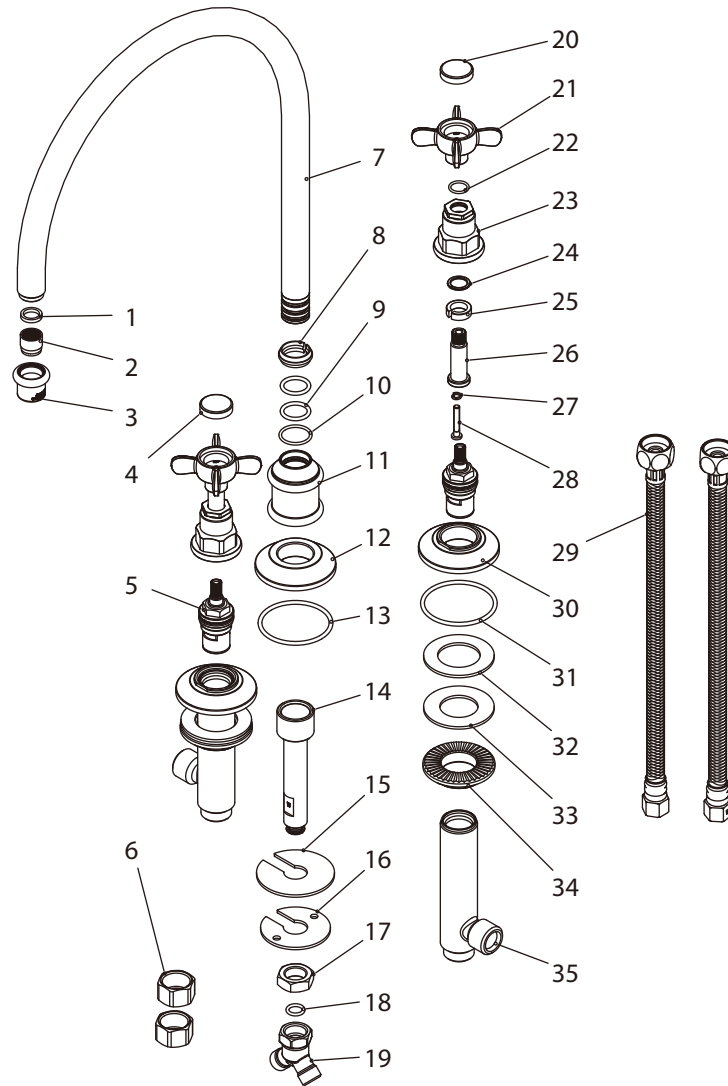
COPYRIGHT © LBIP LTD 2012. ALL RIGHTS RESERVED.

DIMENSIONS IN INCHES & MILLIMETRES

WHILST EVERY EFFORT IS MADE TO ENSURE THE ACCURACY OF THESE DATA SHEETS THEY ARE SUBJECT TO CHANGE WITHOUT NOTICE AS PART OF THE COMPANY'S PRODUCT DEVELOPMENT PROCESS

# C1-4710 (LB1560)

CROSS HANDLE TUBULAR 3-HOLE KITCHEN MIXER

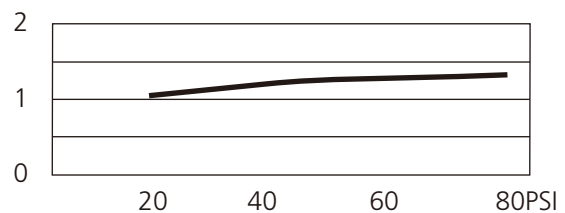


- |    |                              |    |                             |    |                         |
|----|------------------------------|----|-----------------------------|----|-------------------------|
| 1  | Oil seal (010519N)           | 13 | O-ring (004617)             | 25 | Clip (012242)           |
| 2  | Aerator insert (553661N)     | 14 | Connecting tub (014905W)    | 26 | Stem extension (110461) |
| 3  | Aerator housing (305849N-54) | 15 | Oil seal (058094)           | 27 | Washer (013570)         |
| 4  | Ceramic cap ( H ) (129312H)  | 16 | Washer (013006)             | 28 | Screw (008670)          |
| 5  | Cartridge (507907N)          | 17 | Nut (009015)                | 29 | Flexible hose (105750W) |
| 6  | Copper nut (504003)          | 18 | O-ring (004026N)            | 30 | Escutcheon (215486)     |
| 7  | Spout ssembly (139871W)      | 19 | Connector (015004W)         | 31 | O-ring (004627)         |
| 8  | Clip (012003)                | 20 | Ceramic cap ( C ) (129312C) | 32 | Oil seal (010017)       |
| 9  | O-ring (004005N)             | 21 | Handle (029721-T)           | 33 | Washer (013158)         |
| 10 | O-ring (004109N)             | 22 | O-ring (048085)             | 34 | Nut (009834)            |
| 11 | Canopy (000088)              | 23 | Canopy (018220)             | 35 | Side body (061893W)     |
| 12 | Escutcheon (303461)          | 24 | Washer (013224)             |    |                         |

## Standards

IAPMO/cUPC Listed  
Meets NSF 61-9  
Meets A112.18.1

## Flow Rate



Please note :

Final achievable flow rate is dependent on the outlets fitted, see relevant outlets (spouts, roses, sprays) for fully assembled product flow rate.