



LEFROY BROOKS

1 8 2 8 T R O U T M A N S T R E E T
R I D G E W O O D N E W Y O R K N Y 1 1 3 8 5 U S A
T : + 1 (7 1 8) 3 0 2 5 2 9 2 F : + 1 (7 1 8) 3 0 2 4 1 7 7

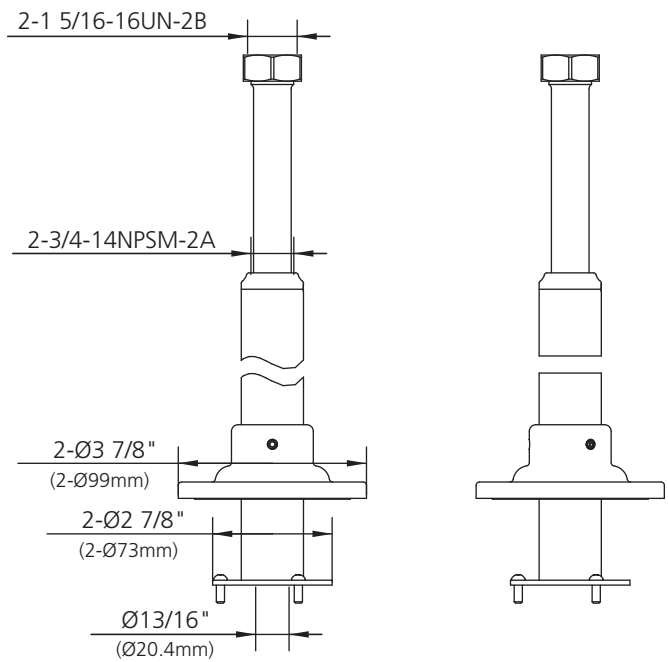
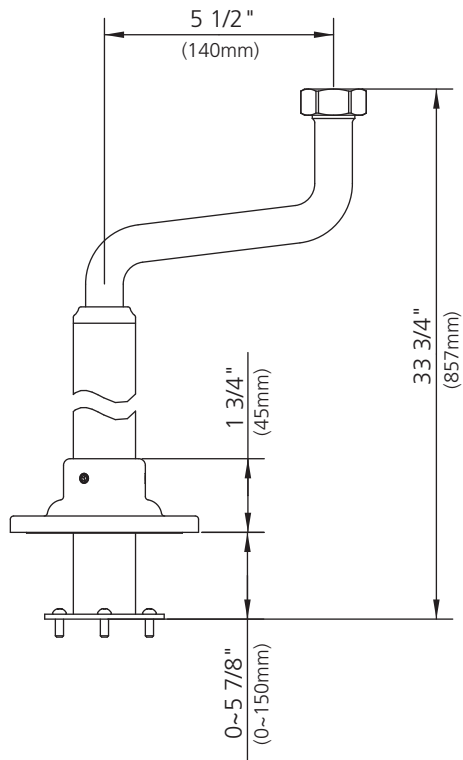
C1-2666

BATH STANDPIPES, INCLUDING: LEGS, UNION & INTERNAL COPPER
(1 PAIR), TO SUIT R1-4212 ROUGH

DIMENSIONAL DATA SHEET

DATE: 9 April 2012

No: A664261



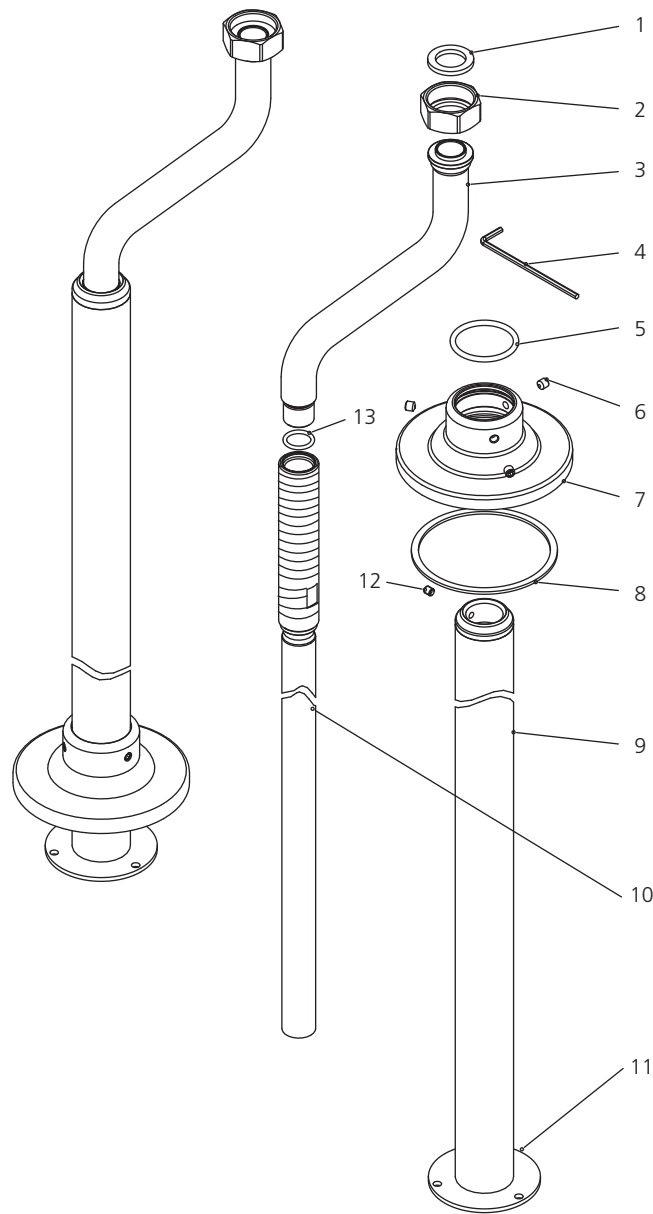
©COPYRIGHT 2009. CHRISTO LEFROY BROOKS. ALL RIGHTS RESERVED.

DIMENSIONS IN INCHES & MILLIMETRES

WHILST EVERY EFFORT IS MADE TO ENSURE THE ACCURACY OF THESE DATA SHEETS THEY ARE SUBJECT TO CHANGE WITHOUT NOTICE AS PART OF THE COMPANY'S PRODUCT DEVELOPMENT PROCESS

C1-2666

BATH STANDPIPES, INCLUDING: LEGS, UNION & INTERNAL COPPER (1 PAIR), TO SUIT R1-4212 ROUGH



- | | | | |
|---|----------------------|----|---------------------|
| 1 | Oil-seal (068025) | 8 | Oil-seal (068030) |
| 2 | Nut (009342) | 9 | Leg (064318) |
| 3 | Cranked leg (020205) | 10 | Inner pipe (064319) |
| 4 | Allen key (031017) | 11 | Screw (075083) |
| 5 | O-ring (004098) | 12 | Screw (008003) |
| 6 | Set screw (065154) | 13 | O-ring (004010N) |
| 7 | Flange (071496) | | |

Standards

Meets A112.18.1