



# LEFROY BROOKS

1 8 2 8 T R O U T M A N S T R E E T  
R I D G E W O O D N E W Y O R K N Y 1 1 3 8 5 U S A  
T: +1(718) 302 5292 F: +1(718) 302 4177

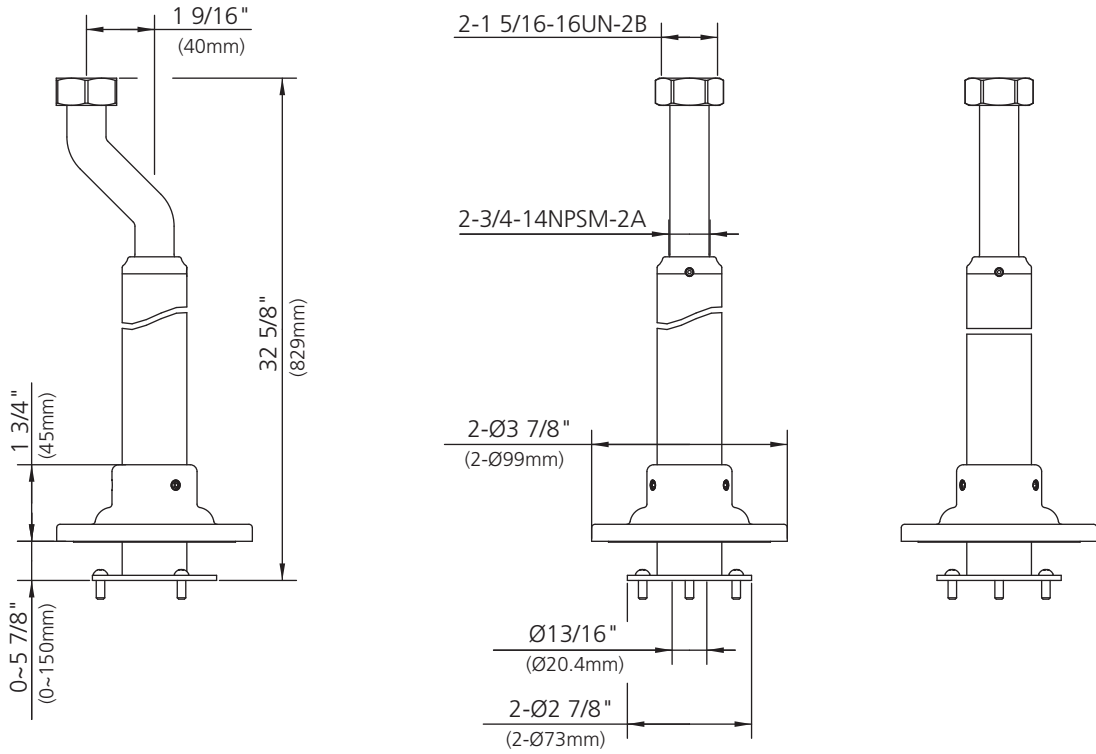
## C1-2664 (LB2114)

BATH STANDPIPES, INCLUDING: LEGS, UNION & INTERNAL COPPER  
(1 PAIR), TO SUIT R1-4212 ROUGH

### DIMENSIONAL DATA SHEET

DATE: 9 April 2012

No: A664257



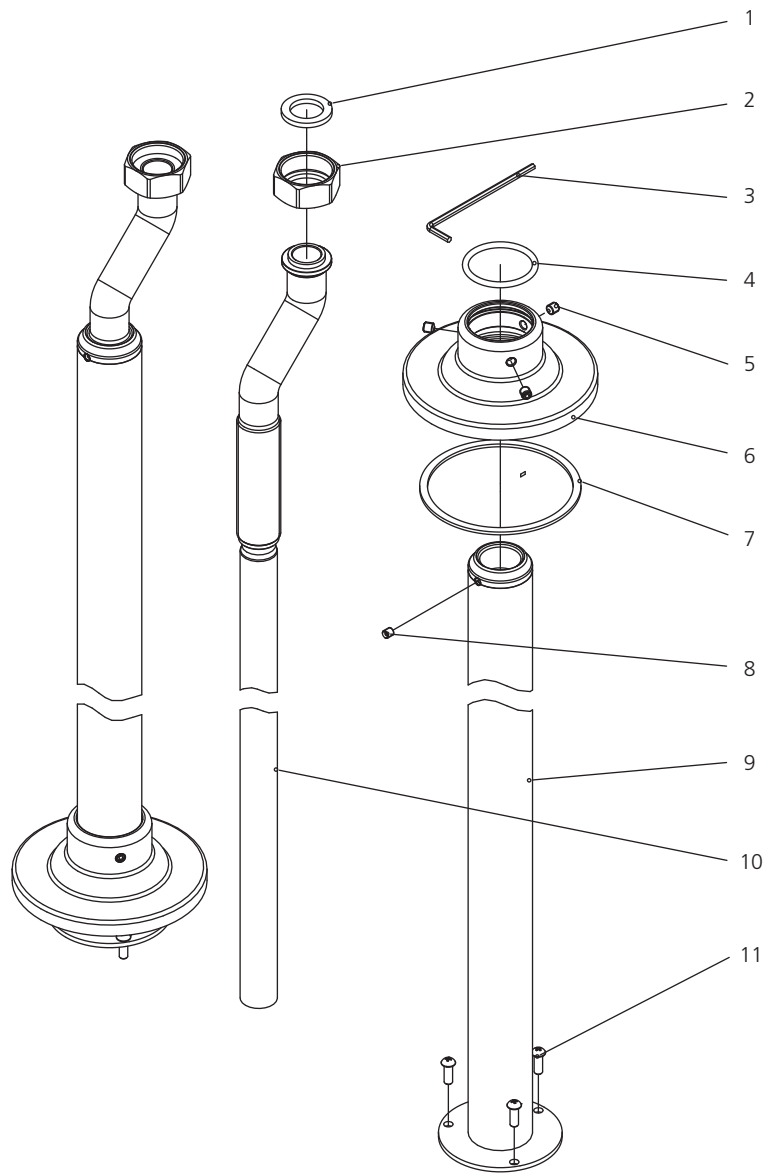
©COPYRIGHT 2009. CHRISTO LEFROY BROOKS. ALL RIGHTS RESERVED.

DIMENSIONS IN INCHES & MILLIMETRES

WHILST EVERY EFFORT IS MADE TO ENSURE THE ACCURACY OF THESE DATA SHEETS THEY ARE SUBJECT TO CHANGE WITHOUT NOTICE AS PART OF THE COMPANY'S PRODUCT DEVELOPMENT PROCESS

# C1-2664 (LB2114)

BATH STANDPIPES, INCLUDING: LEGS, UNION & INTERNAL COPPER (1 PAIR), TO SUIT R1-4212 ROUGH



- |   |                    |    |                     |
|---|--------------------|----|---------------------|
| 1 | Oil-seal (068025)  | 7  | Oil-seal (068030)   |
| 2 | Nut (009342)       | 8  | Screw (008003)      |
| 3 | Allen key (031017) | 9  | Leg (064318)        |
| 4 | O-ring (004098)    | 10 | Inner pipe (020337) |
| 5 | Set screw (065154) | 11 | screw (075083)      |
| 6 | Flange (071496)    |    |                     |

## Standards

Meets A112.18.1