



LEFROY BROOKS

1 8 2 8 T R O U T M A N S T R E E T
R I D G E W O O D N E W Y O R K N Y 1 1 3 8 5 U S A
T: +1(718) 302 5292 F: +1(718) 302 4177

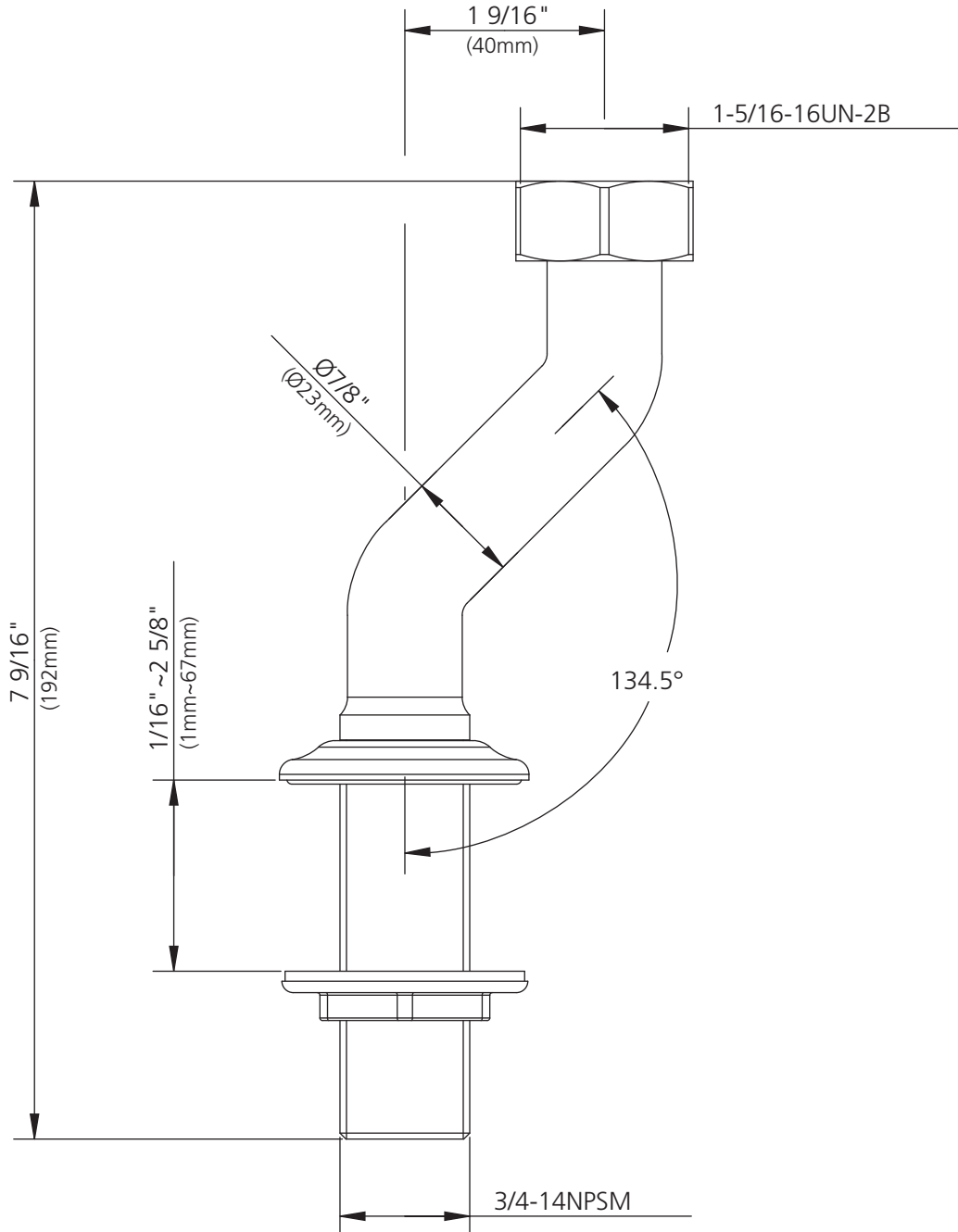
C1-2662

CRANKED LEGS FOR BATH/SHOWER MIXERS (1 PAIR)

DIMENSIONAL DATA SHEET

DATE: 26 April 2011

No: A66G166



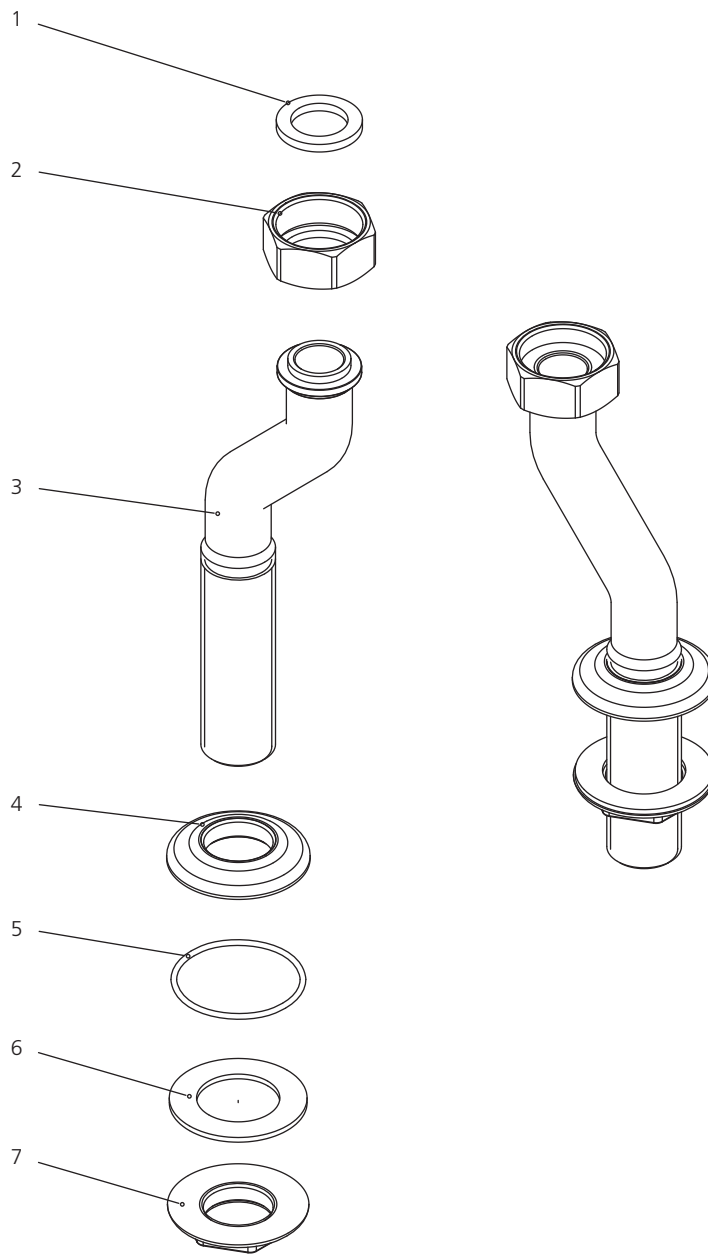
©COPYRIGHT 2009, CHRISTO LEFROY BROOKS. ALL RIGHTS RESERVED.

DIMENSIONS IN INCHES & MILLIMETRES

WHILST EVERY EFFORT IS MADE TO ENSURE THE ACCURACY OF THESE DATA SHEETS THEY ARE SUBJECT TO CHANGE WITHOUT NOTICE AS PART OF THE COMPANY'S PRODUCT DEVELOPMENT PROCESS

C1-2662

CRANKED LEGS FOR BATH/SOWER MIXERS (1 PAIR)



- | | | | |
|---|---------------------|---|-------------------|
| 1 | Oil-seal (068025) | 5 | O-ring (072057N) |
| 2 | Nut (009342) | 6 | Oil-seal (010017) |
| 3 | Leg (014907) | 7 | Nut (054037) |
| 4 | Escutcheon (071457) | | |

Standards

Meets A112.18.1

Please note :

Final achievable flow rate is dependent on the outlets fitted, see relevant outlets (spouts, roses, sprays) for fully assembled product flow rate.