



LEFROY BROOKS

IBROC HOUSE ESSEX ROAD
HODDESDON HERTS EN11 0QS UK
T: +44 (0)1992 708 316 F: +44 (0)1992 708 317

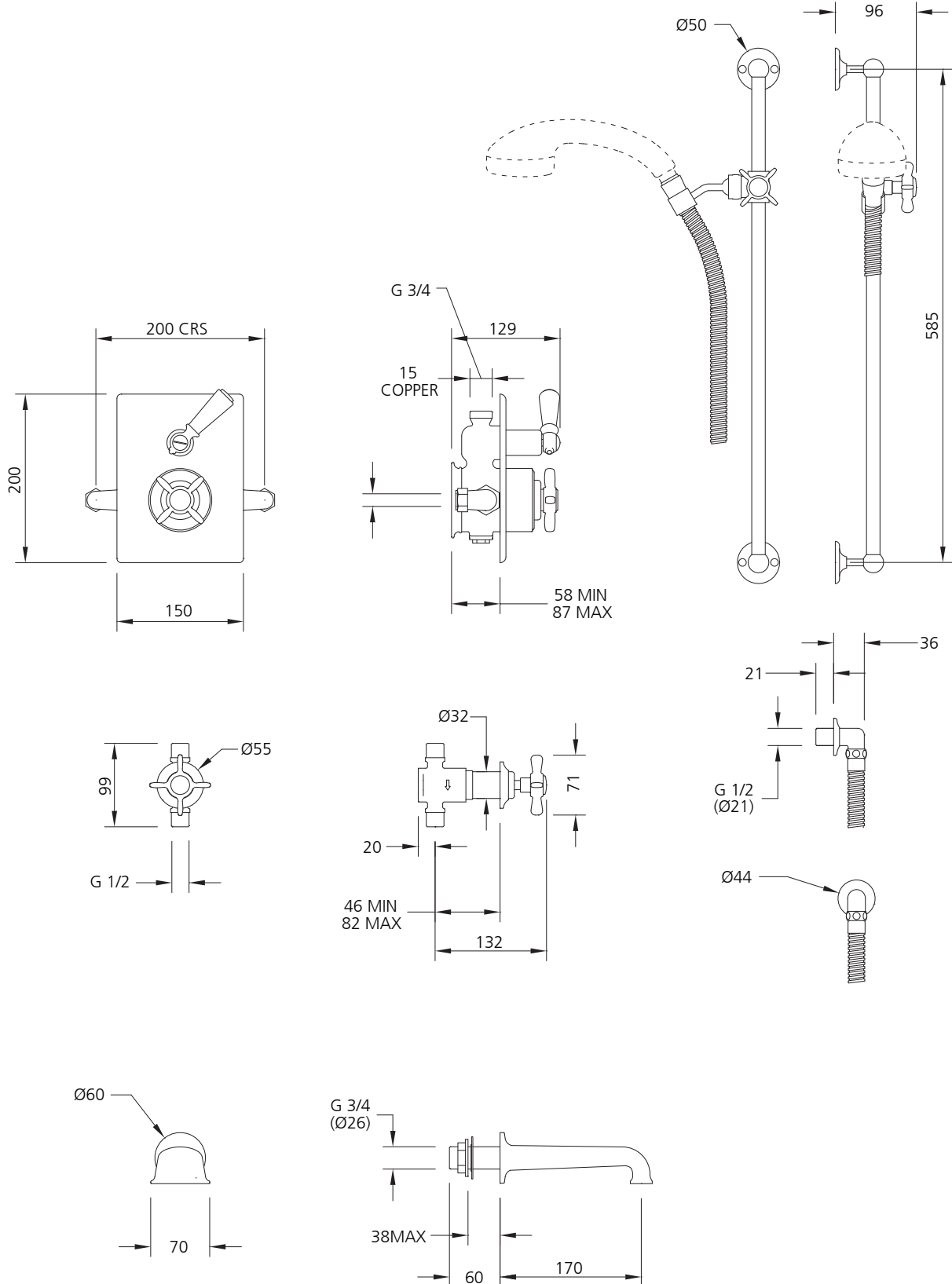
GD-8831

CONCEALED THERMOSTATIC SHOWER VALVE
WITH MANUAL BATH FILL AND SLIDING RAIL
(ORDER HANDSET SEPARATELY)

DIMENSIONAL DATA SHEET

DATE: 16 June 2010

ISSUE: 014



©COPYRIGHT 2010. CHRISTO LEFROY BROOKS. ALL RIGHTS RESERVED.

DIMENSIONS IN MILLIMETRES

WHILST EVERY EFFORT IS MADE TO ENSURE THE ACCURACY OF THESE DATA SHEETS THEY ARE SUBJECT TO CHANGE WITHOUT NOTICE AS PART OF THE COMPANY'S PRODUCT DEVELOPMENT PROCESS