



LEFROY BROOKS

1 8 2 8 T R O U T M A N S T R E E T
R I D G E W O O D N E W Y O R K N Y 1 1 3 8 5 U S A
T: +1(718) 302 5292 F: +1(718) 302 4177

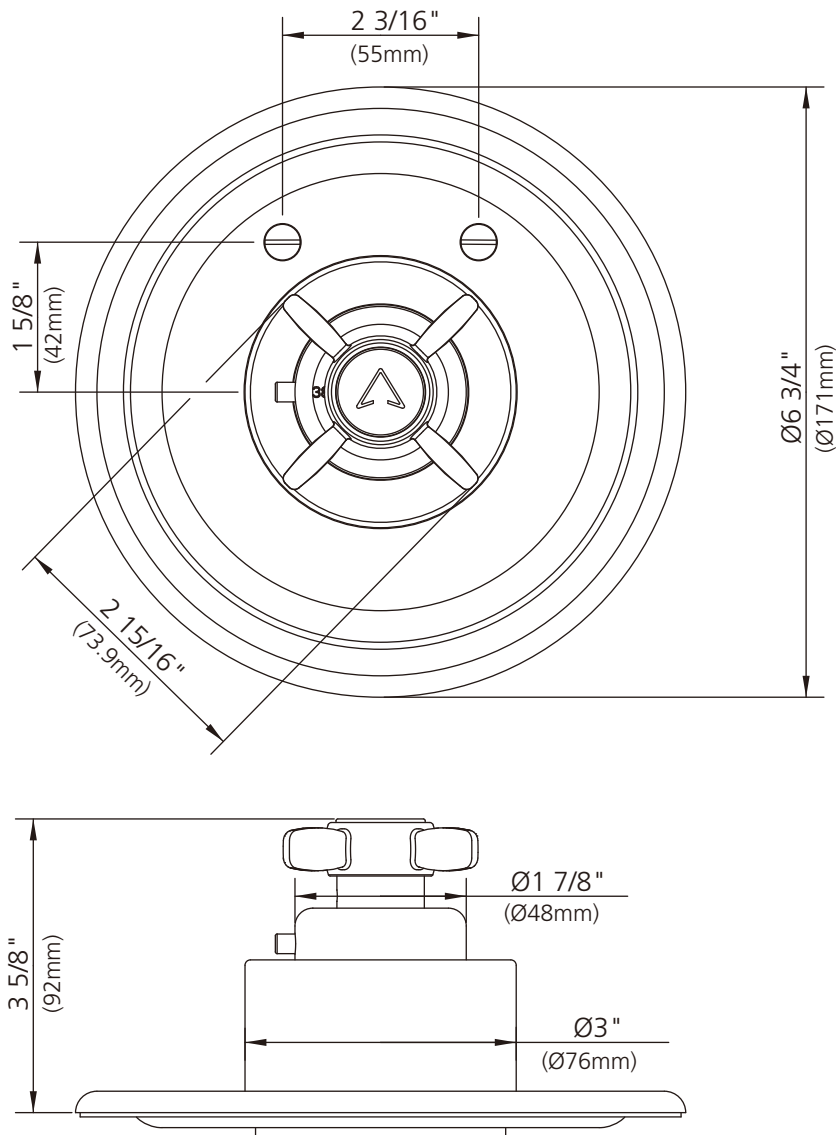
CB-4075 (BL8800)

BLACK ARCHIPELAGO THERMOSTATIC VALVE TRIM ONLY,
TO SUIT M1-4200 ROUGH

DIMENSIONAL DATA SHEET

DATE: 26 October 2011

No: A66F169



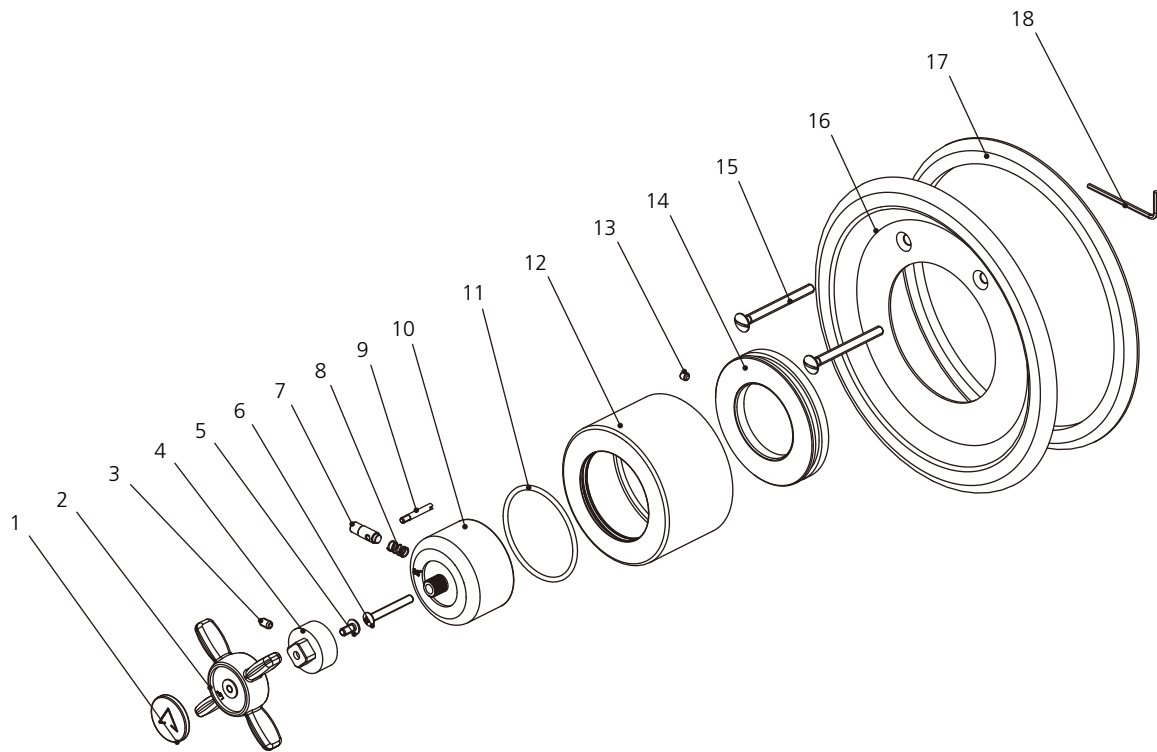
©COPYRIGHT 2009, CHRISTO LEFROY BROOKS. ALL RIGHTS RESERVED.

DIMENSIONS IN INCHES & MILLIMETRES

WHILST EVERY EFFORT IS MADE TO ENSURE THE ACCURACY OF THESE DATA SHEETS THEY ARE SUBJECT TO CHANGE WITHOUT NOTICE AS PART OF THE COMPANY'S PRODUCT DEVELOPMENT PROCESS

CB-4075 (BL8800)

BLACK ARCHIPELAGO THERMOSTATIC VALVE TRIM ONLY,
TO SUIT M1-4200 ROUGH



1	Handle cap (206851)	10	Canopy (018204-50)
2	Handle (069906)	11	O-ring (004623R)
3	Set screw (075018)	12	Canopy (018235-50)
4	Adaptor (205462)	13	Set screw (065086)
5	Screw (065172)	14	Adjusting ring (104295)
6	Screw (008994)	15	Screw (008101)
7	Button (036292)	16	Front plate (006225)
8	Spring (005157)	17	Seal (013007)
9	Pin (003147)	18	Allen key (031003)

Standards

IAPMO/cUPC Listed
Meets A112.18.1

Please note :

Final achievable flow rate is dependent on the outlets fitted, see relevant outlets (spouts, roses, sprays) for fully assembled product flow rate.