



LEFROY BROOKS

1 8 2 8 T R O U T M A N S T R E E T
R I D G E W O O D N E W Y O R K N Y 1 1 3 8 5 U S A
T : + 1 (7 1 8) 3 0 2 5 2 9 2 F : + 1 (7 1 8) 3 0 2 4 1 7 7

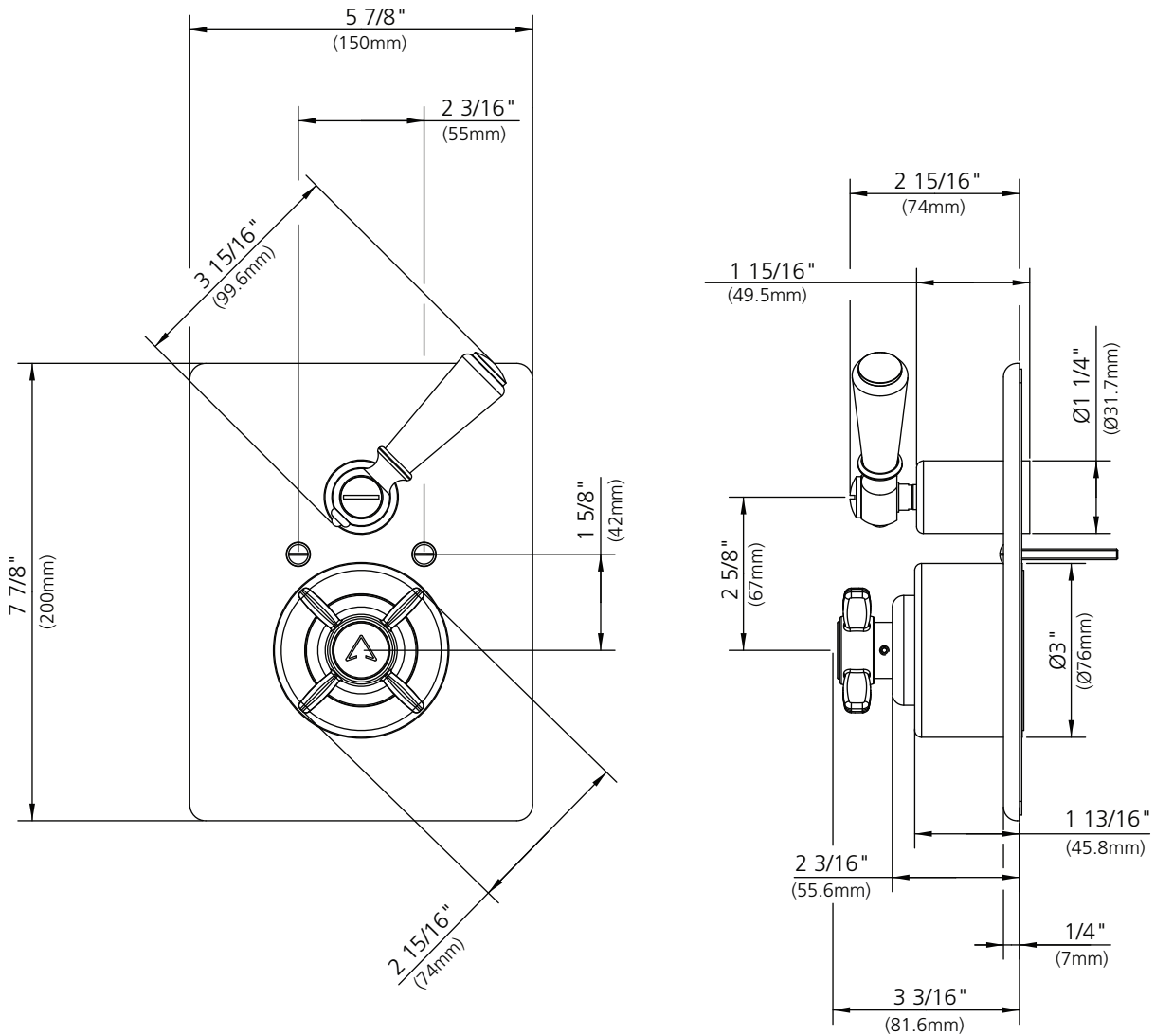
CB-4065

CROSS HANDLE CONCEALED GODOLPHIN PRESSURE BALANCE
WITH BLACK LEVER 2-WAY DIVERTER TRIM ONLY,
TO SUIT M1-4101 ROUGH

DIMENSIONAL DATA SHEET

DATE: 28 December 2009

No: A661097



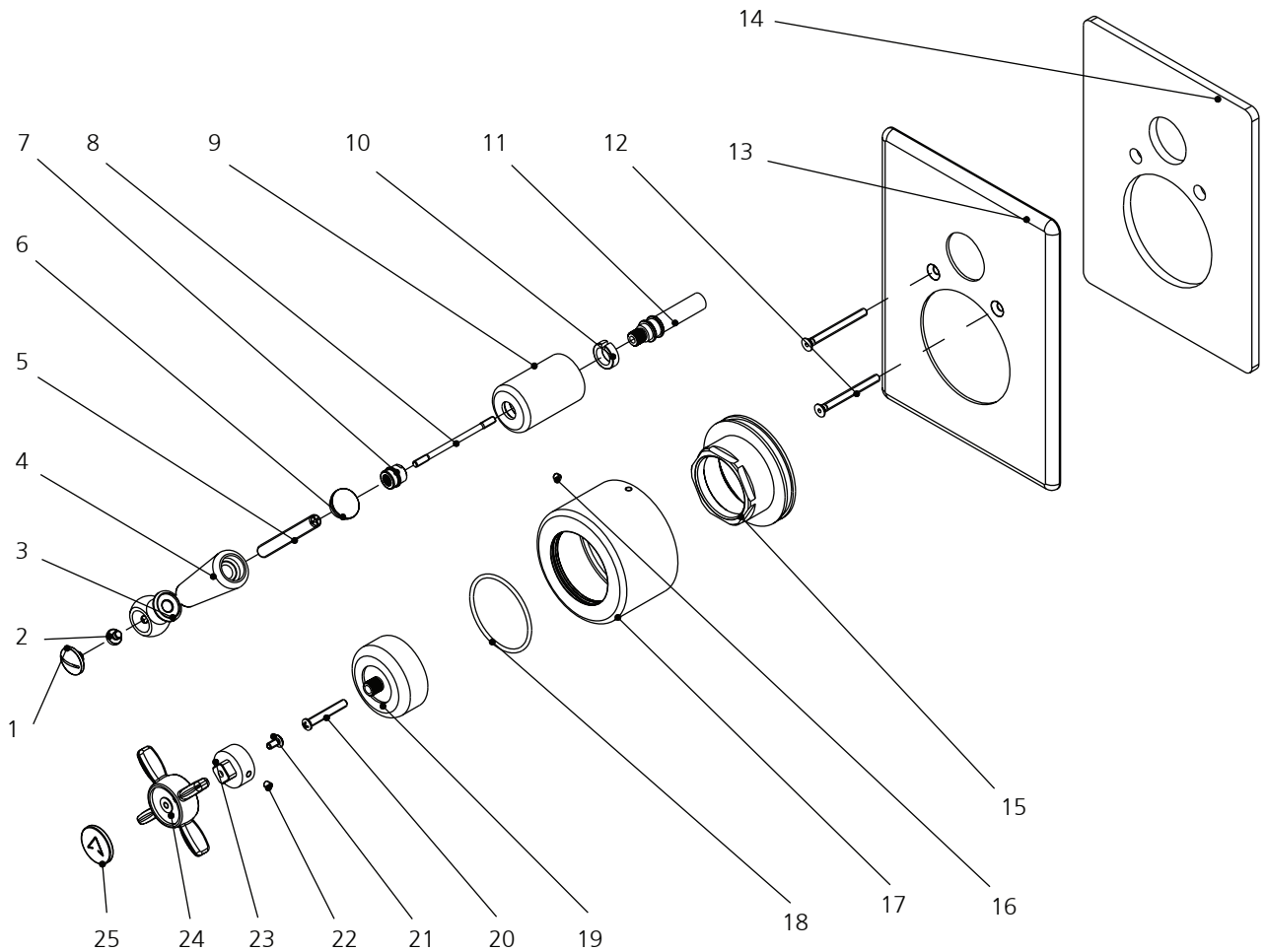
©COPYRIGHT 2009. CHRISTO LEFROY BROOKS. ALL RIGHTS RESERVED.

DIMENSIONS IN INCHES & MILLIMETRES

WHILST EVERY EFFORT IS MADE TO ENSURE THE ACCURACY OF THESE DATA SHEETS THEY ARE SUBJECT TO CHANGE WITHOUT NOTICE AS PART OF THE COMPANY'S PRODUCT DEVELOPMENT PROCESS

CB-4065

CROSS HANDLE CONCEALED GODOLPHIN PRESSURE BALANCE WITH BLACK LEVER 2-WAY DIVERTER TRIM ONLY, TO SUIT M1-4101 ROUGH



- | | | | | | |
|---|---------------------------|----|-------------------------|----|-----------------------|
| 1 | Screw head (008247) | 10 | Clip (012242) | 19 | Adaptor (018251) |
| 2 | Handle adaptor (109377) | 11 | Spindle (110388) | 20 | Screw (008109) |
| 3 | Handle head (205461) | 12 | Screw (008101) | 21 | Screw (065172) |
| 4 | Handle sleeve (108924-52) | 13 | Front plate (006595) | 22 | Screw (065021) |
| 5 | Handle stem (017094) | 14 | Seal (013830) | 23 | Adaptor (205462) |
| 6 | Handle-end cap (109376) | 15 | Adjusting ring (104292) | 24 | Cross handle (069906) |
| 7 | Adaptor (067580) | 16 | Set screw (065086) | 25 | Handle cap (206851) |
| 8 | Screw (017813) | 17 | Canopy (071227) | | |
| 9 | Canopy (018960) | 18 | O-ring (004623R) | | |