



LEFROY BROOKS

1 8 2 8 T R O U T M A N S T R E E T
R I D G E W O O D N E W Y O R K N Y 1 1 3 8 5 U S A
T: +1(718) 302 5292 F: +1(718) 302 4177

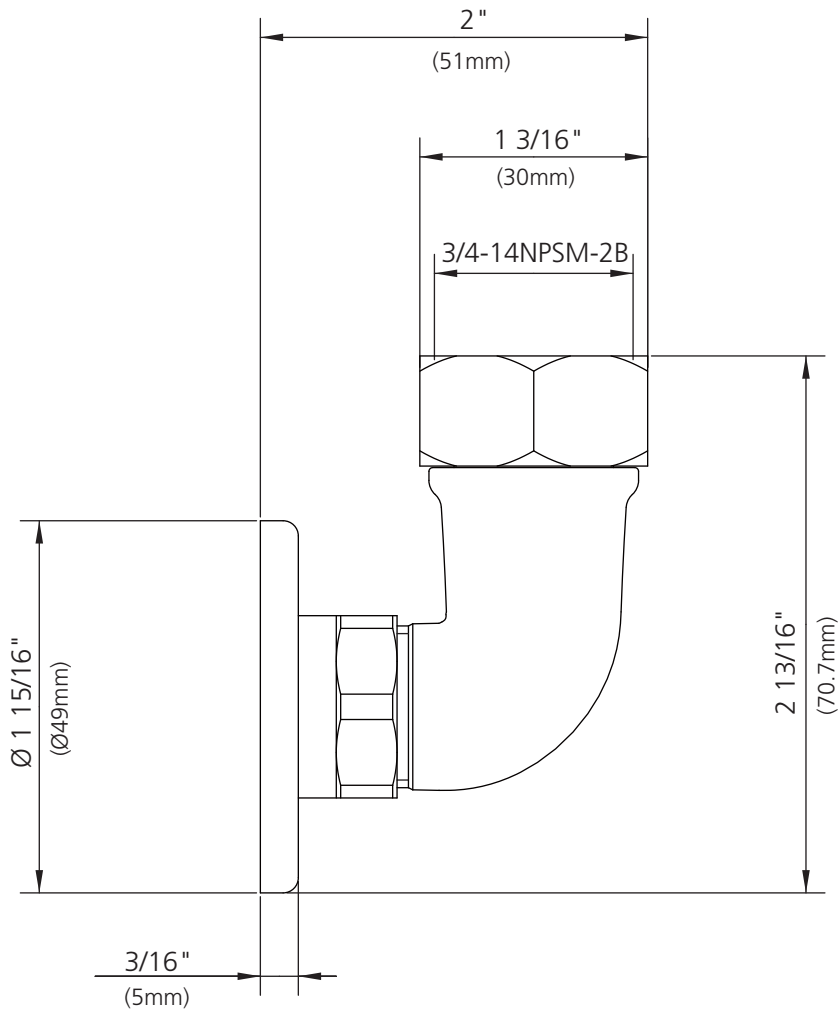
C1-4001

TOP RETURN ELBOW FOR CONCEALED OUTLET, TO SUIT CW-4012,
CB-4013, CW-4000 (GD8700) & CB-4010 (BL8700) VALVES

DIMENSIONAL DATA SHEET

DATE: 25 July 2011

No: A66D571



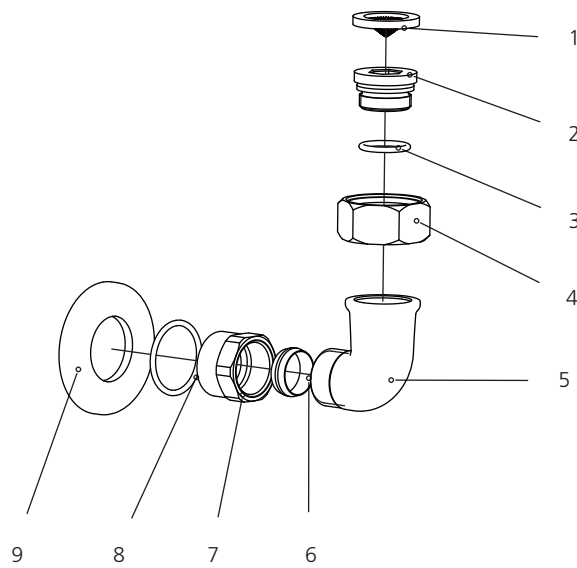
©COPYRIGHT 2009, CHRISTO LEFROY BROOKS. ALL RIGHTS RESERVED.

DIMENSIONS IN INCHES & MILLIMETRES

WHILST EVERY EFFORT IS MADE TO ENSURE THE ACCURACY OF THESE DATA SHEETS THEY ARE SUBJECT TO CHANGE WITHOUT NOTICE AS PART OF THE COMPANY'S PRODUCT DEVELOPMENT PROCESS

C1-4001

TOP RETURN ELBOW FOR CONCEALED OUTLET,
TO SUIT CW-4012, CB-4013, CW-4000 (GD8700) &
CB-4010 (BL8700) VALVES



1	Oil-seal (058091)	6	Ring (101161)
2	Adaptor (021008)	7	Nut (009328)
3	O-ring (004043)	8	O-Ring (004535N)
4	Nut (009078)	9	Escutcheon (019349)
5	Adaptor (067567)		

Standards

Meets A112.18.1

Please note :

Final achievable flow rate is dependent on the outlets fitted, see relevant outlets (spouts, roses, sprays) for fully assembled product flow rate.