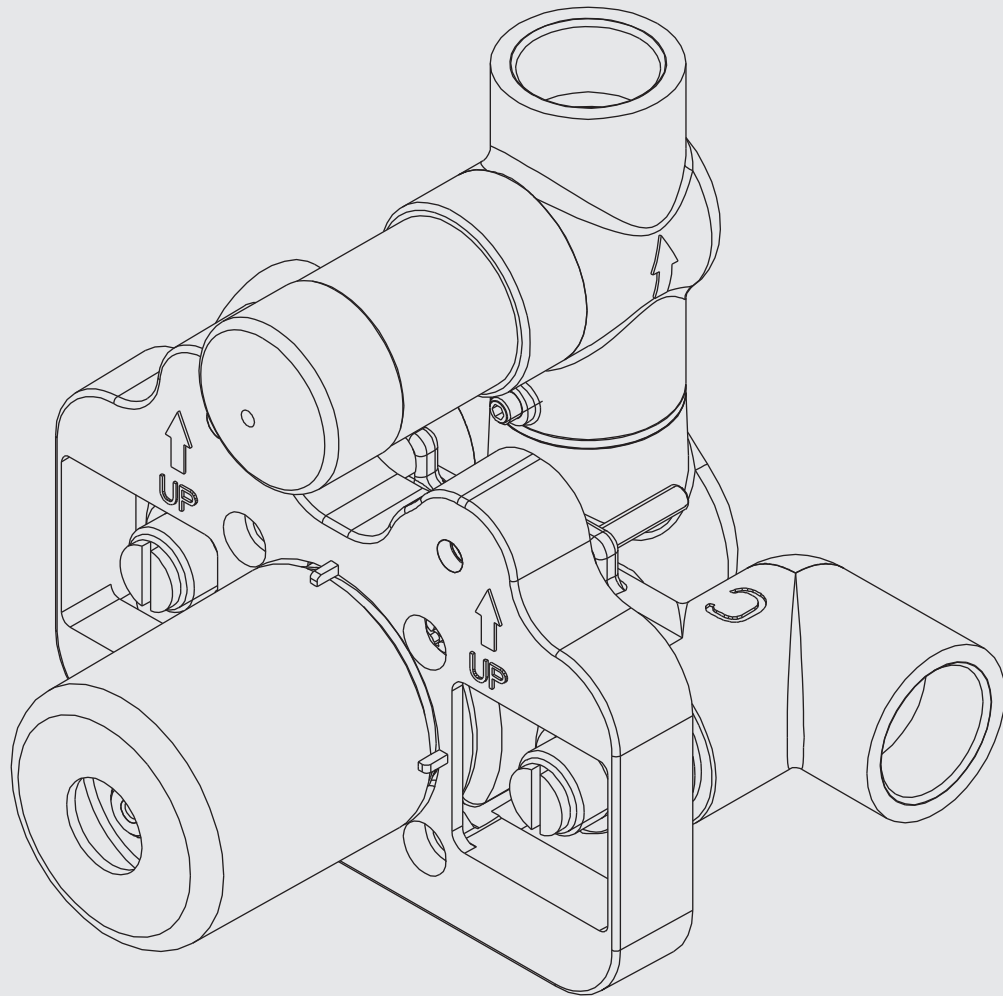




INSTALLATION INSTRUCTIONS

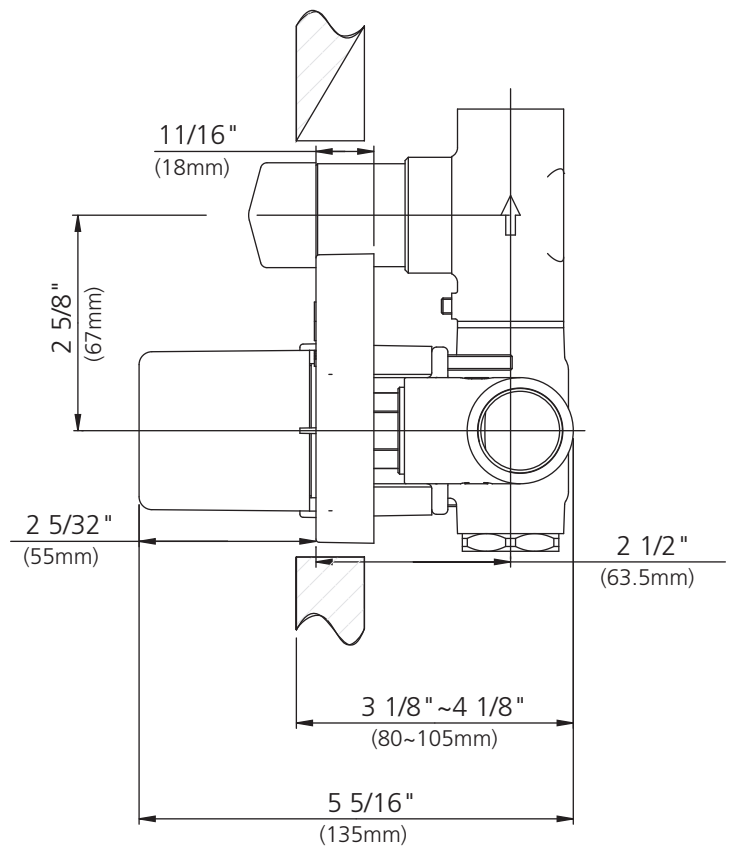
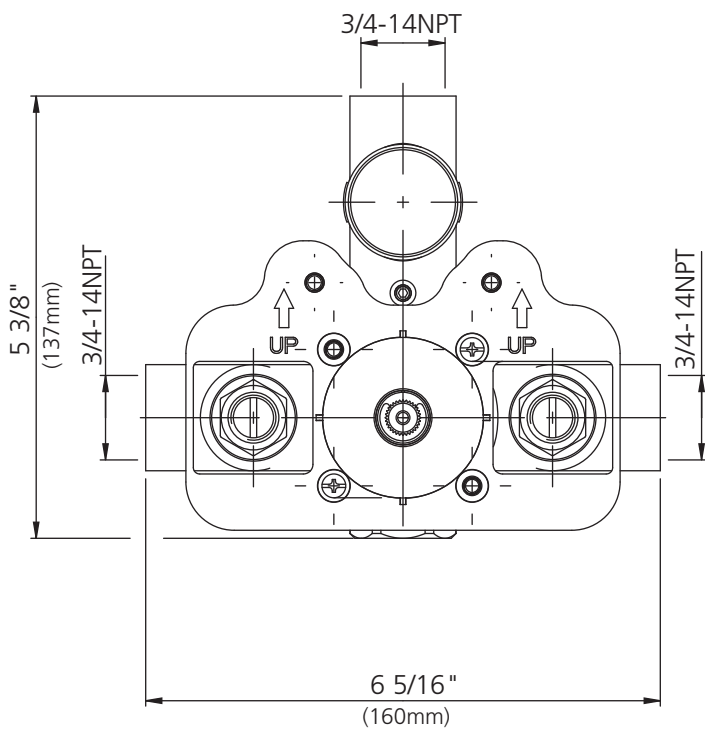
M1-4201

TWO HANDLE THERMOSTATIC ROUGH WITH FLOW CONTROL, TO SUIT M1-4402, M1-4405, X1-2010, CW-4050 & CB-4060



LEFROY BROOKS

Dimensions in Inches (& Millimetres)

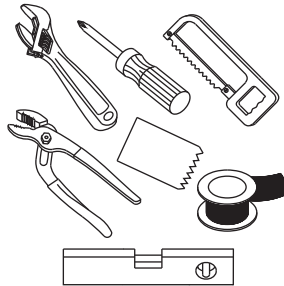


Whilst every effort is made to ensure accuracy, design and dimensions are subject to change without notice as part of the company's product development process.

What you need to know

Tools:

Adjustable Wrench
Groove Joint Pliers
Hacksaw
Phillips Screwdriver
Pipe Tape
Spatula
Spirit Level



Safety Tips

If you are soldering during faucet installation, remove cartridges, seats, gaskets and washers prior to applying flame, otherwise you will void the warranty.

Cover drain openings to avoid losing small parts.

When cutting or soldering pipe, use safety glasses to protect your eyes.

Things You May Need

Correct installation may vary depending on previous faucet installation. All necessary supplies required for faucet installation are not included, but may be found where plumbing supplies are sold. It is suggested that IAPMO and/or CSA approved plumbing supplies are used during installation.

Standards

IAPMO/cUPC Listed
Meets A112.18.1
Meets ASSE 1016

Maintenance

Your new bathroom faucet is designed for years of trouble-free performance.

Keep it looking new by cleaning it periodically with a soft cloth. Avoid abrasive cleaners, wire wool and harsh chemicals as these will dull the finish and void your warranty.

Important Points

Prior to beginning installation, turn off the cold and hot water lines and open the old faucet to release built-up pressure.

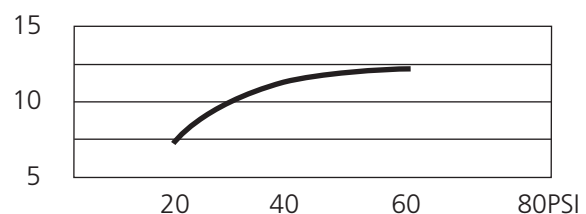
Overtightening nuts may cause damage.

Wrap all threaded connections with pipe tape available at your local plumbing supply store. Always wrap in a clockwise direction. The fittings should be installed by a state-licensed plumber.

Please note:

When there is a difference in water pressure between hot and cold supplies to the mixing valve, the pressures should be equalized by a plumber best practice and legislation.

Flow Rate



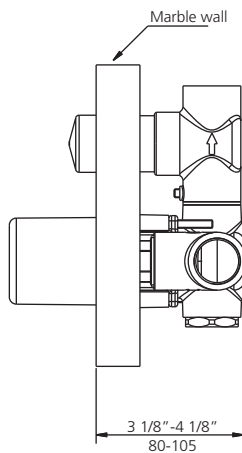
Please note :

Final achievable flow rate is dependent on the outlets fitted, see relevant outlets (spouts, roses, sprays) for fully assembled product flow rate.

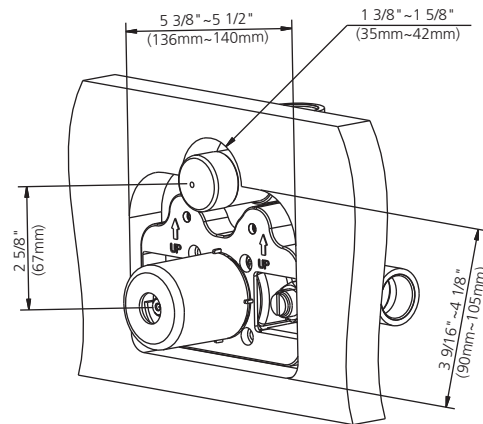
Steps 1-3

Installation Procedure

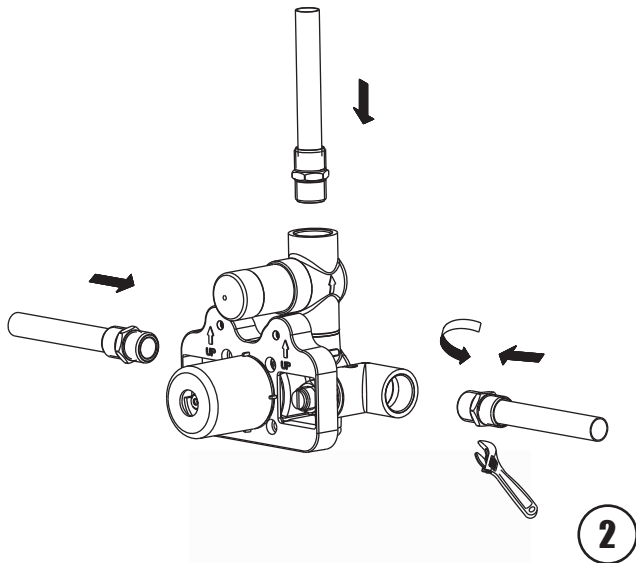
Lefroy Brooks always recommends that plumbing products be installed by a licensed professional. Shut off main water supply before installation.



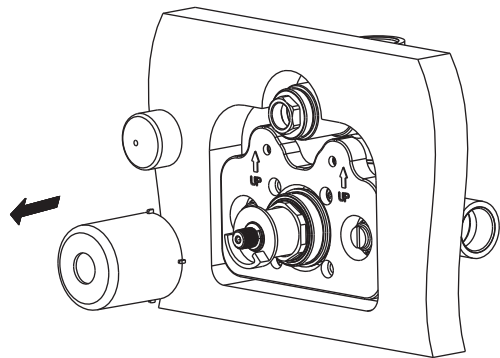
1



3



2



4

1 Before installing the valve into the wall, please note that a distance between 3 1/8" ~ 4 1/8" (80mm ~ 105mm) from the wall surface to the back of valve should be left, so that it can fit the trim kit.

2 Install valve assembly into the wall.

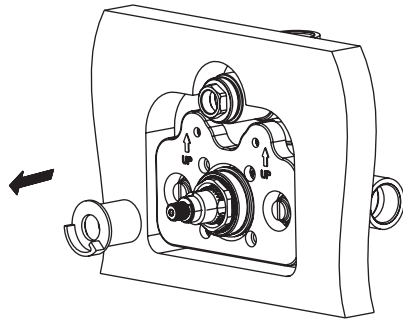
3 Cut a hole on the wall surface for fitting the trim kit. The hole dimension should be as shown.

4 Throw away the protective caps only when the building construction is completed and you are ready to fit the trim.

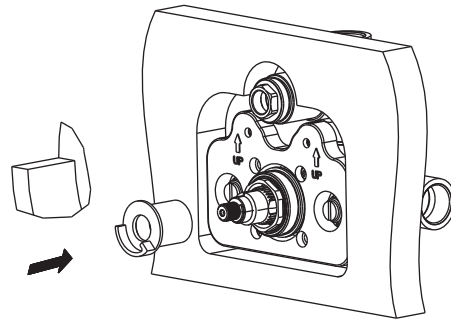
Steps 5-8

Installation Procedure

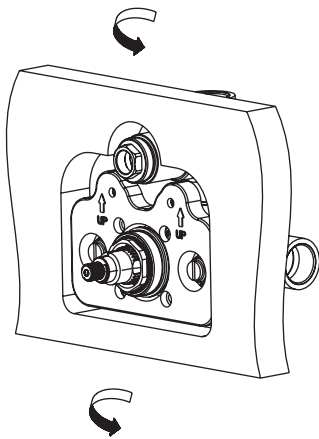
Lefroy Brooks always recommends that plumbing products be installed by a licensed professional. Shut off main water supply before installation.



5



7



6

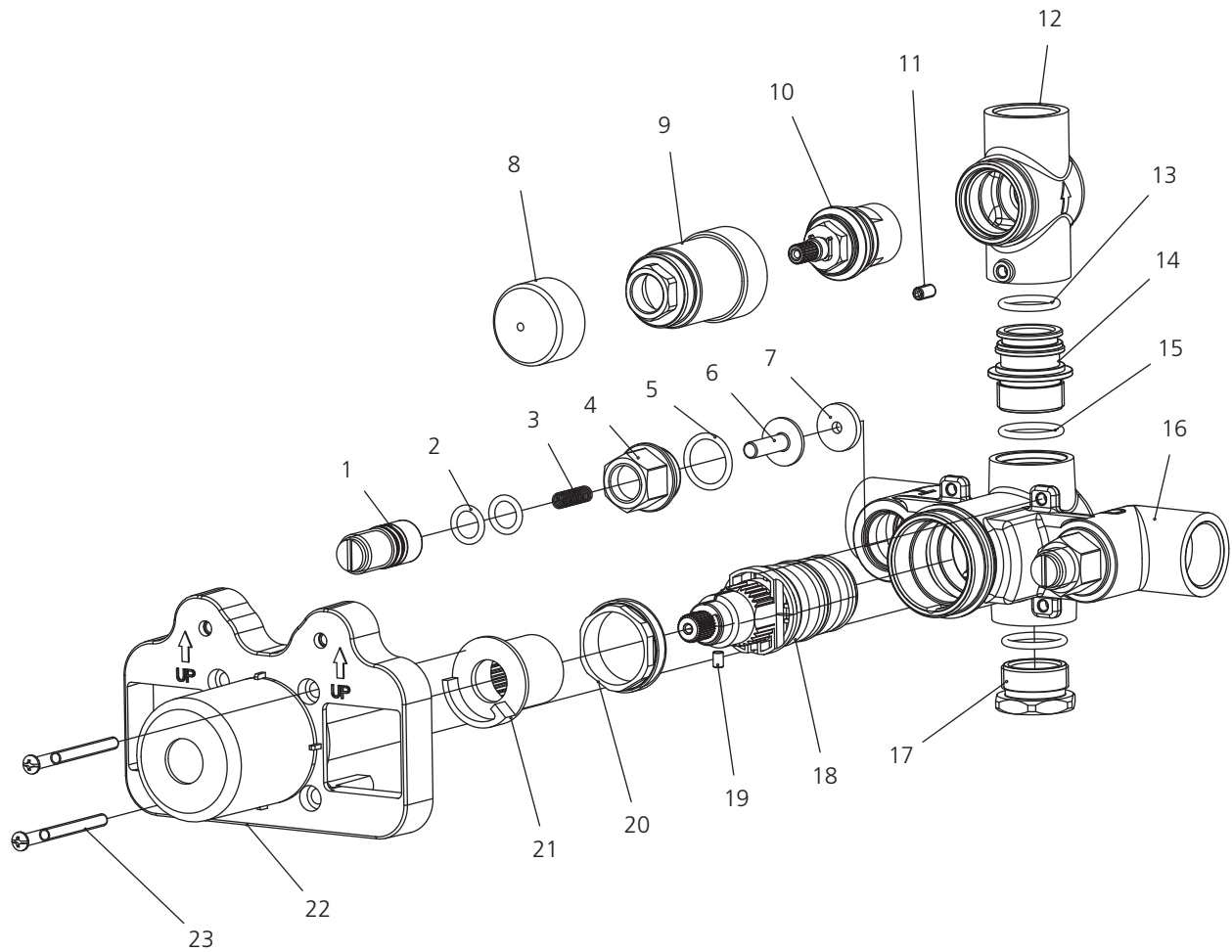
5 Take out the stopper.

7 Turn off the water supply. Install the stopper and make sure its "B" plane, as shown, is horizontal and on the left side.

6 Turn on the flow controller. Turn the thermostatic cartridge till you get the water temperature at 38°. Suggestion: attach a hose to the outlets and guide the water to the basin or another container to test the temperature and prevent it from spilling on the floor.

Exploded View

Parts List



1	Spindle (017119)	9	Sleeve (067946)	17	Plug (028604)
2	O-ring (048038)	10	Cartridge assembly (507455)	18	Thermostatic cartridge (507132)
3	Spring (005060)	11	Set screw (053009)	19	Pin (003146)
4	Nut (009111)	12	Body (076707)	20	Adjusting ring (104061)
5	O-ring (063060)	13	O-ring (004096N)	21	Stopper (049108)
6	Cartridge (024092)	14	Adaptor (067945)	22	Plaster guard (127215)
7	Oil-sea (010113)	15	O-ring (048017)	23	Screw (008241)
8	Protective cap (045432)	16	Body (076706)		

For additional assistance or service call

718-302-5292

9am to 5pm EST Monday to Friday



L E F R O Y B R O O K S

www.lefroybrooks.com

LEFROY BROOKS INC, 1828 TROUTMAN STREET, RIDGEWOOD, NY, 11385
TELEPHONE: 718-302-5292. FAX: 718-302-4177

The use of trademarks, product design and artwork is subject to licence or agreement with LBIP Ltd. The design registrations, trademark registrations and copyrights are protected by law and the use or reproduction outside the terms of an agreement is prohibited. The right to modify designs and dimensions is reserved. Christo Lefroy Brooks is a member of ACID (Anti Copying in Design).

© LBIP LTD 2012