

INSTALLATION INSTRUCTIONS

M1-2150 (MH1250)

CROSS HANDLE 4-HOLE BATH SET WITH DIVERTER & PULL-OUT BLACK HAND SHOWER TRIM ONLY, TO SUIT R1-4024 ROUGH

M1-2151 (ML1250)

LEVER 4-HOLE BATH SET WITH DIVERTER & PULL-OUT BLACK HAND SHOWER TRIM ONLY, TO SUIT R1-4025 ROUGH

M1-2152

CROSS HANDLE 4-HOLE BATH SET WITH DIVERTER & PULL-OUT METAL-FINISH HAND SHOWER TRIM ONLY, TO SUIT R1-4024 ROUGH

M1-2153

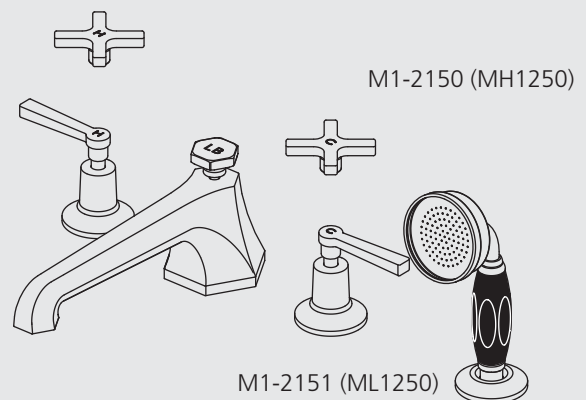
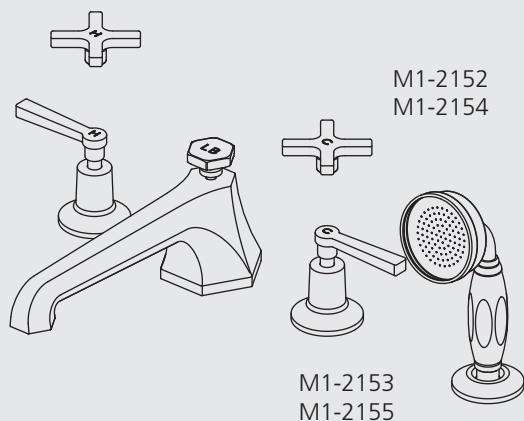
LEVER 4-HOLE BATH SET WITH DIVERTER & PULL-OUT METAL-FINISH HAND SHOWER TRIM ONLY, TO SUIT R1-4025 ROUGH

M1-2154

CROSS HANDLE 4-HOLE BATH SET WITH DIVERTER & PULL-OUT WHITE HAND SHOWER TRIM ONLY, TO SUIT R1-4024 ROUGH

M1-2155

LEVER 4-HOLE BATH SET WITH DIVERTER & PULL-OUT WHITE HAND SHOWER TRIM ONLY, TO SUIT R1-4025 ROUGH

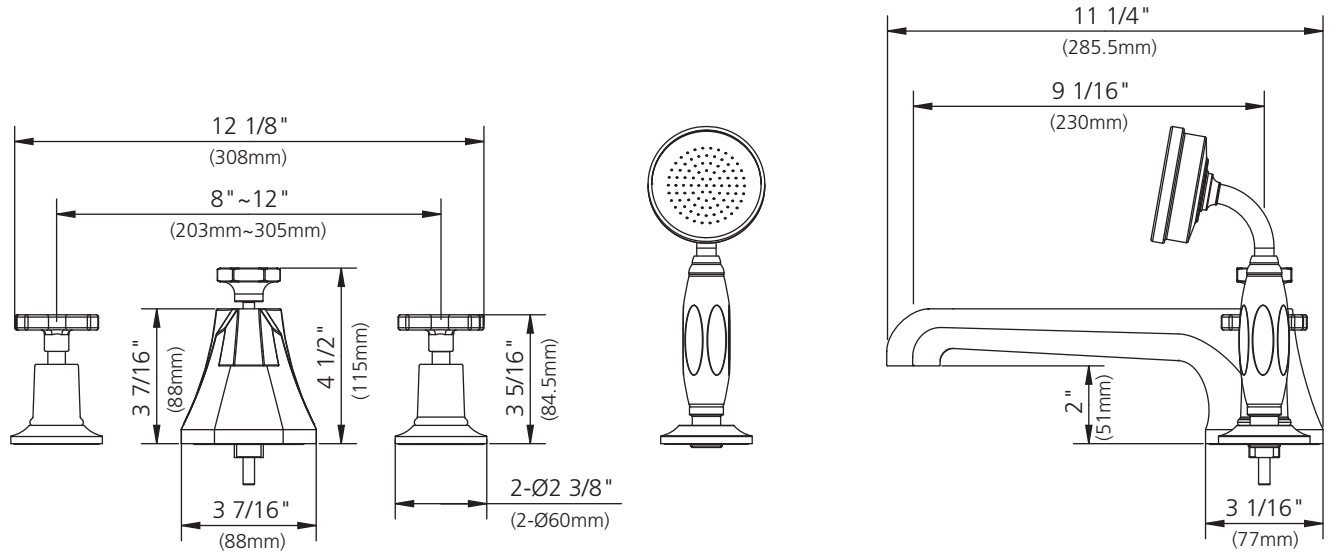


Dimensions in Inches (& Millimetres)

M1-2150(MH1250)

M1-2152

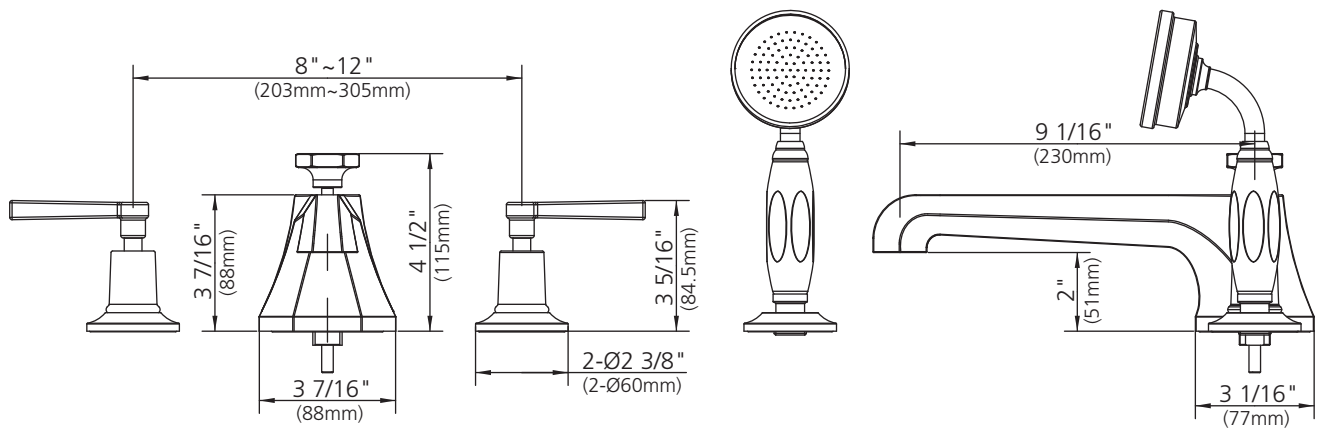
M1-2154



M1-2151(ML1250)

M1-2153

M1-2155

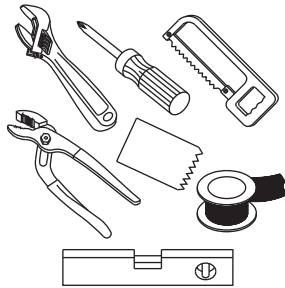


Whilst every effort is made to ensure accuracy, design and dimensions are subject to change without notice as part of the company's product development process.

What you need to know

Tools:

Adjustable Wrench
Groove Joint Pliers
Hacksaw
Phillips Screwdriver
Pipe Tape
Spatula
Spirit Level



Safety Tips

If you are soldering during faucet installation, remove cartridges, seats, gaskets and washers prior to applying flame, otherwise you will void the warranty.

Cover drain openings to avoid losing small parts.

When cutting or soldering pipe, use safety glasses to protect your eyes.

Things You May Need

Correct installation may vary depending on previous faucet installation. All necessary supplies required for faucet installation are not included, but may be found where plumbing supplies are sold. It is suggested that IAPMO and/or CSA approved plumbing supplies are used during installation.

Standards

IAPMO/cUPC Listed
Meets A112.18.1

Maintenance

Your new bathroom faucet is designed for years of trouble-free performance.

Keep it looking new by cleaning it periodically with a soft cloth. Avoid abrasive cleaners, wire wool and harsh chemicals as these will dull the finish and void your warranty.

Important Points

Prior to beginning installation, turn off the cold and hot water lines and open the old faucet to release built-up pressure.

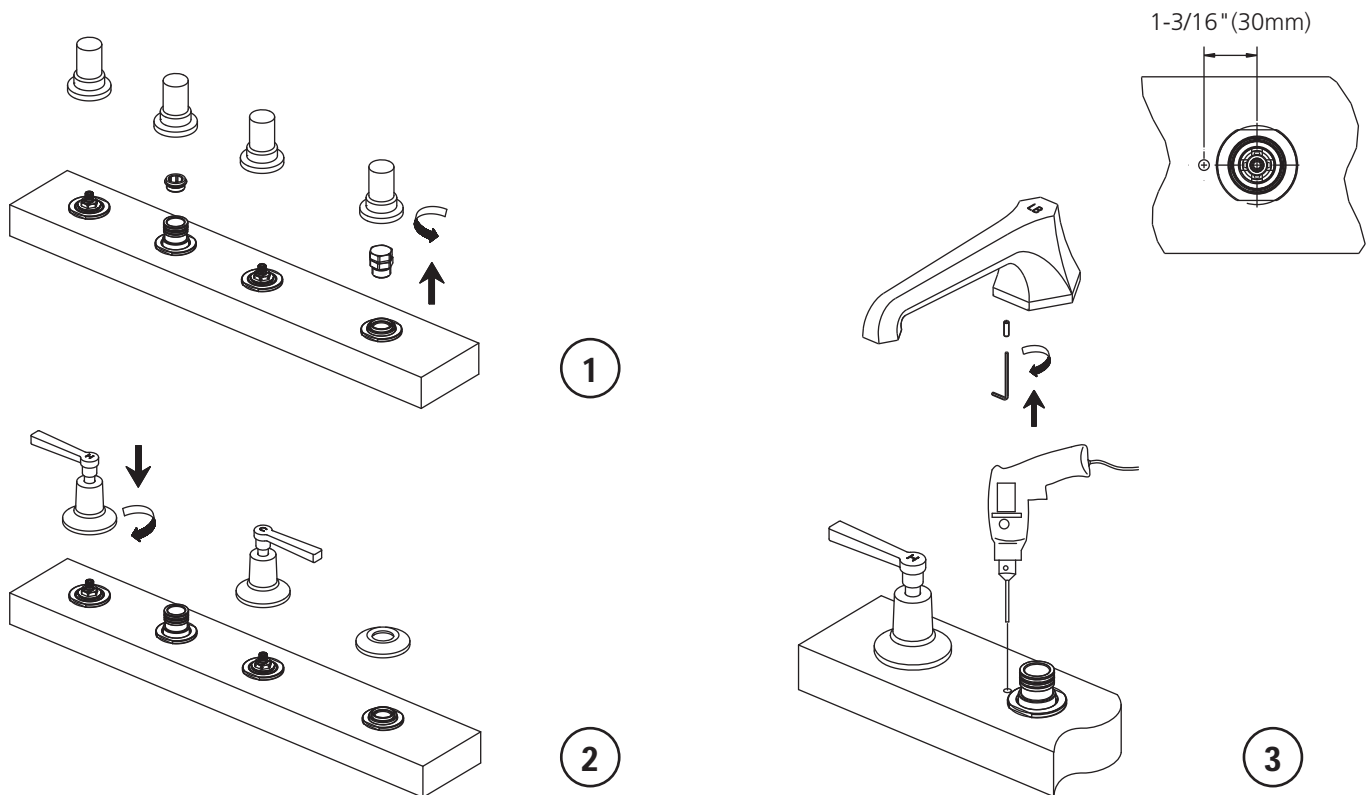
Overtightening nuts may cause damage.

Wrap all threaded connections with pipe tape available at your local plumbing supply store. Always wrap in a clockwise direction. The fittings should be installed by a state-licensed plumber.

Steps 1-2

Installation Procedure

Lefroy Brooks always recommends that plumbing products be installed by a licensed professional. Shut off main water supply before installation.



1 Make sure that main water supply is shut off before further installation. Take off all rubber protective caps, plugs from valves, as well as the underneath protective bubble bags.

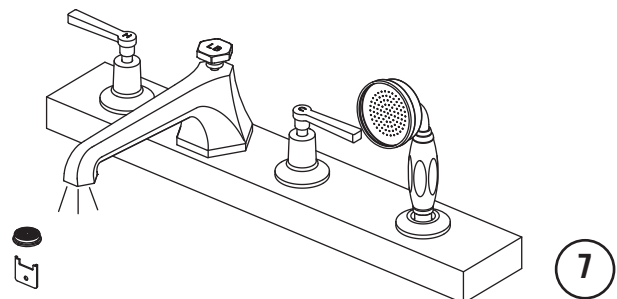
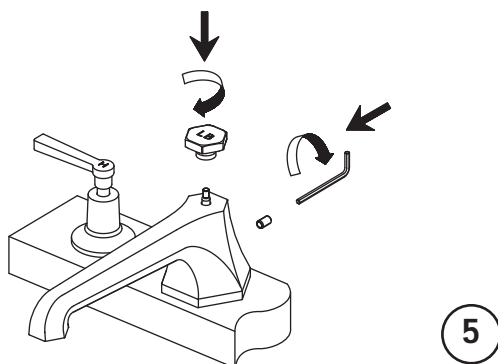
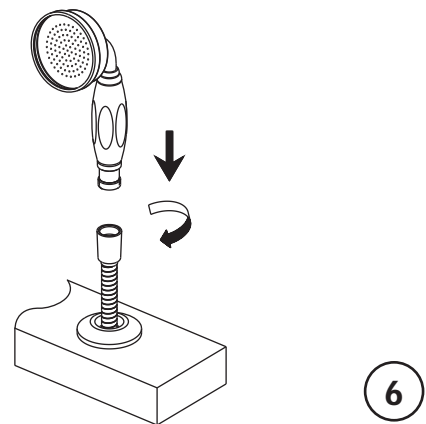
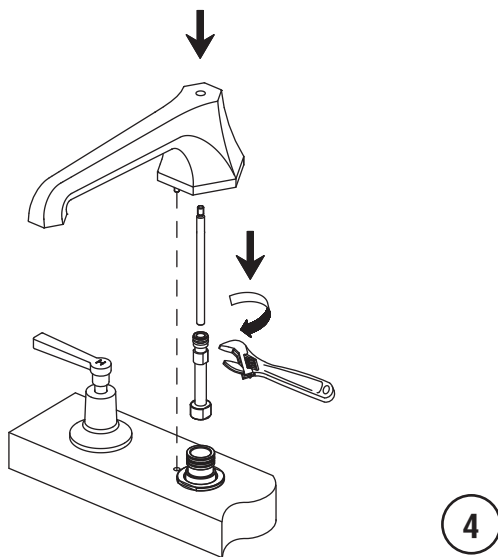
2 Install handles.

3 Important: It is recommended that to prevent the spout from accidentally rotating after installation, where possible, the small brass pin should be screwed into the spout base. Drill a 1/4" (5.5mm) diameter hole into the deck to a depth of about 7/16" - 9/16" (11-15mm), following the position indicated in the figure above.

Steps 3-4

Installation Procedure

Lefroy Brooks always recommends that plumbing products be installed by a licensed professional. Shut off main water supply before installation.



4 Install the adaptor and diverter rod to the body and screw tightly. Place spout over spout hub and insert pin into the small hole on the deck.

5 Install the diverter knob. Finish installation by inserting set screw into access hole in back of spout and screw tightly.

6 Attach hand shower with final trim installation.

7 After installing faucet, remove aerator and open the hot and cold supplies. Check for leaks. Turn on faucet handle for one minute to flush debris from faucet. Turn off the water supply, install the canopy and handle, then reassemble the aerator.

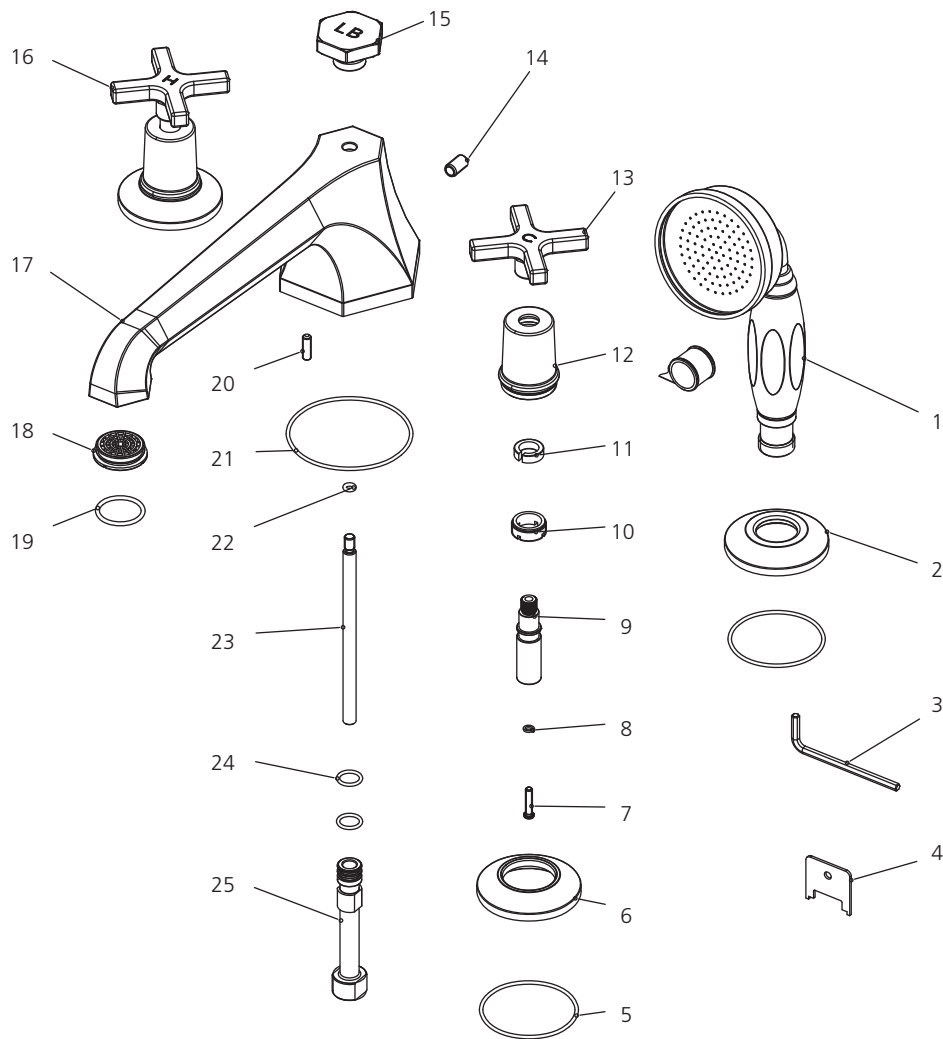
Exploded View

Parts List

M1-2150(MH1250)

M1-2152

M1-2154



1	Hand shower (S2110309)	10	Adaptor (057507)	19	O-ring (072091)
2	Escutcheon (071433)	11	Clip (012242)	20	Set screw (292540)
3	Allen key (031011)	12	Canopy (018209)	21	O-ring (072013)
4	Wrench (031214)	13	Handle (C) (029685C-T)	22	O-ring (004546N)
5	O-ring (004640N)	14	Screw (065027)	23	Diverter rod (125138)
6	Escutcheon (215478)	15	Diverter knob (124016-50)	24	O-ring (004079N)
7	Screw (008486)	16	Handle (H) (029685H)	25	Adaptor (057929)
8	Washer (031570)	17	Spout (100002)		
9	Stem extension (110320)	18	Aertor (500058)		

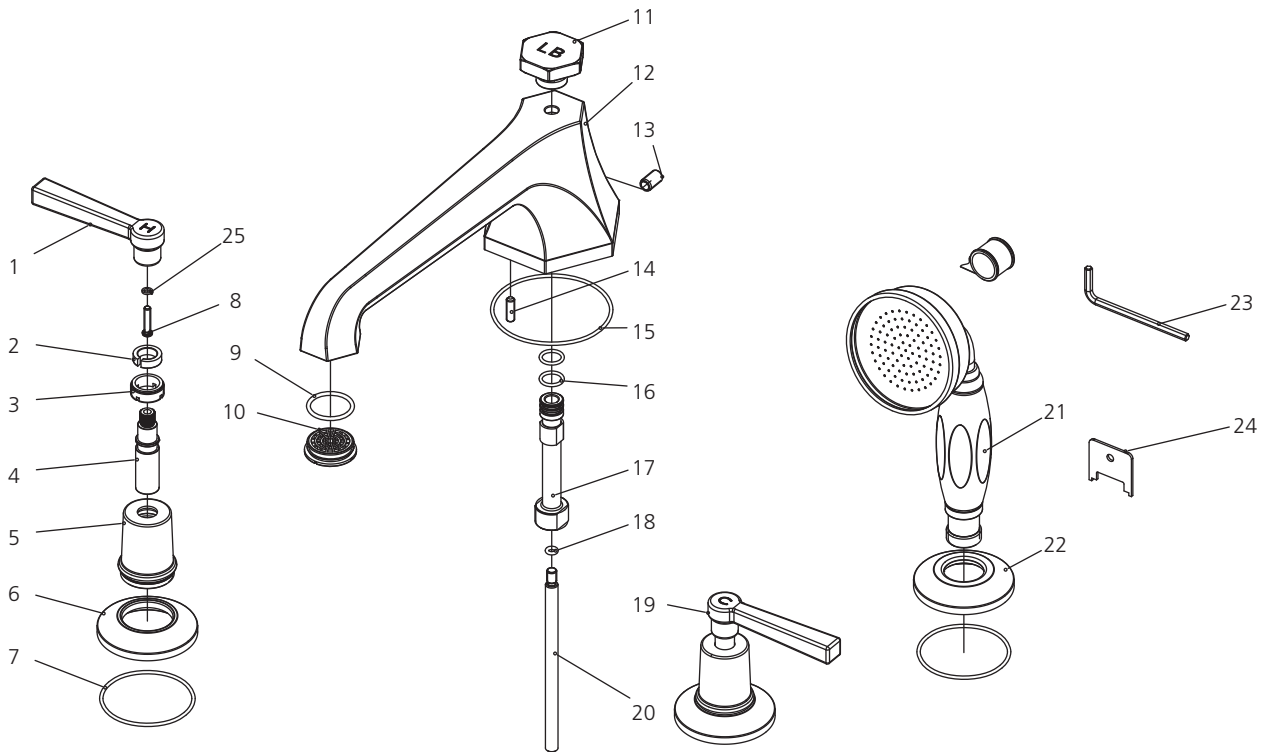
Exploded View

Parts List

M1-2151(ML1250)

M1-2153

M1-2155



1	Handle (H) (029686H-T)	10	Aerator (500058)	19	Handle (C) (029686C-T)
2	Clip (012242)	11	Pop-up knob (124016-50)	20	Diverter rod (125138)
3	Adaptor (057507)	12	Spout (100002)	21	Hand shower (S2110309)
4	Stem extension (110320)	13	Screw (065027)	22	Escutcheon (071433)
5	Canopy (018209)	14	Set screw (292540)	23	Allen key (031011)
6	Escutcheon (215478)	15	O-ring (072013)	24	Wrench (031214)
7	O-ring (004640N)	16	O-ring (004079N)	25	Washer (013570)
8	Screw (008486)	17	Adaptor (057929)		
9	O-ring (072091)	18	O-ring (004546N)		

For additional assistance or service call

718-302-5292

9am to 5pm EST Monday to Friday



L E F R O Y B R O O K S

www.lefroybrooks.com

LEFROY BROOKS INC, 1828 TROUTMAN STREET, RIDGEWOOD, NY, 11385
TELEPHONE: 718-302-5292. FAX: 718-302-4177

The use of trademarks, product design and artwork is subject to licence or agreement with Christo A. Lefroy Brooks. The design registrations, trademark registrations and copyrights are protected by law and the use or reproduction outside the terms of an agreement is prohibited. The right to modify designs and dimensions is reserved. Christo Lefroy Brooks is a member of ACID (Anti Copying in Design).

©CHRISTO A. LEFROY BROOKS 2009