

## INSTALLATION INSTRUCTIONS

# R1-4010

CROSS HANDLE WALL SEQUENTIAL BASIN MIXER ROUGH, TO SUIT K1-1310

# R1-4011

LEVER WALL SEQUENTIAL BASIN MIXER ROUGH, TO SUIT K1-1311

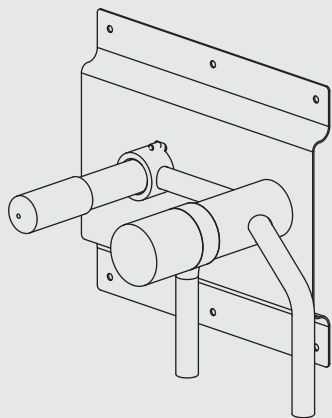
# K1-1310

CROSS HANDLE WALL SEQUENTIAL BASIN MIXER, TO SUIT R1-4010 ROUGH

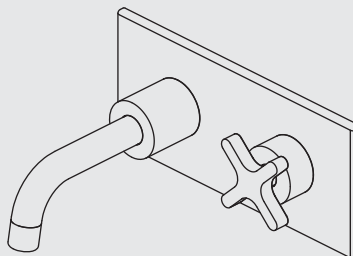
# K1-1311

LEVER WALL SEQUENTIAL BASIN MIXER, TO SUIT R1-4011 ROUGH

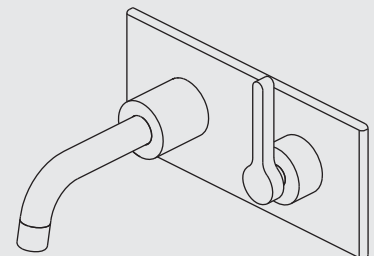
R1-4010  
R1-4011



K1-1310



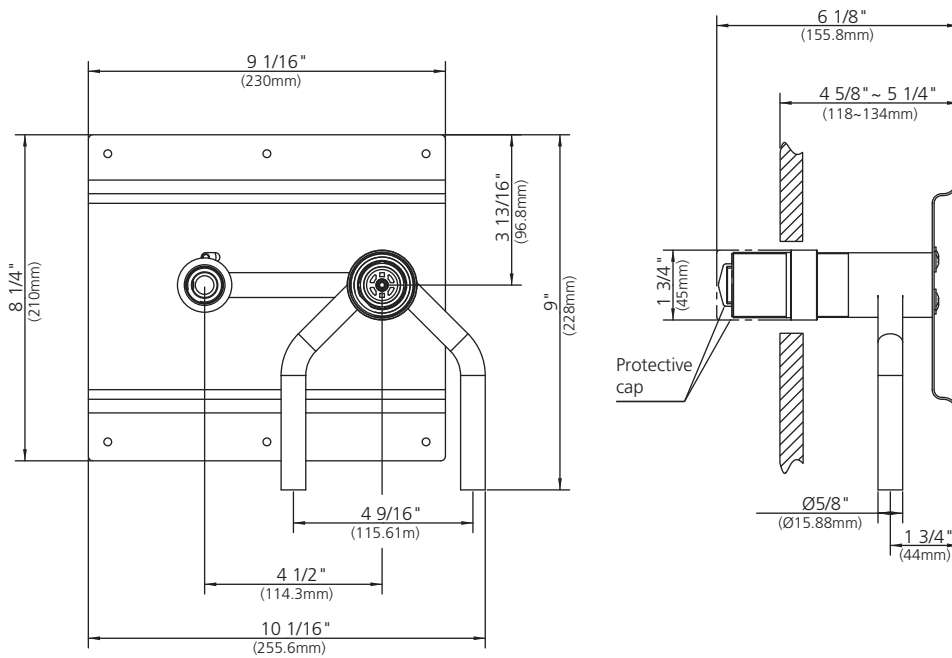
K1-1311



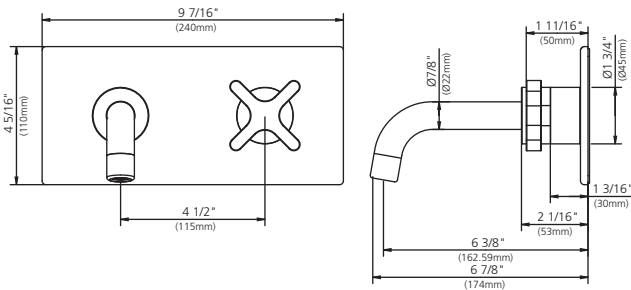
LEFROY BROOKS

# Dimensions in Inches (& Millimetres)

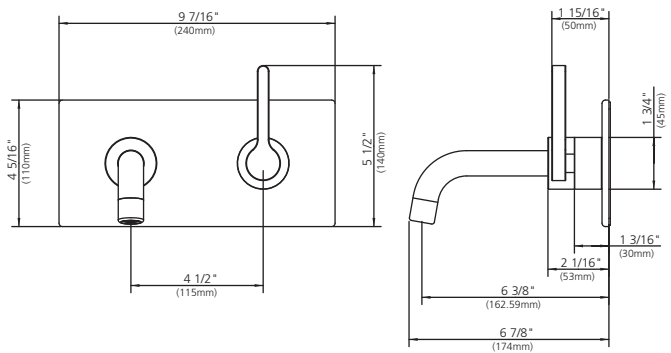
R1-4010  
R1-4011



K1-1310



K1-1311

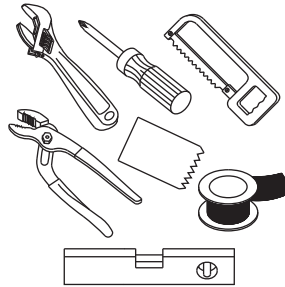


Whilst every effort is made to ensure accuracy, design and dimensions are subject to change without notice as part of the company's product development process.

# What you need to know

## Tools:

Adjustable Wrench  
Groove Joint Pliers  
Hacksaw  
Phillips Screwdriver  
Pipe Tape  
Spatula  
Spirit Level



## Safety Tips

If you are soldering during faucet installation, remove cartridges, seats, gaskets and washers prior to applying flame, otherwise you will void the warranty.

Cover drain openings to avoid losing small parts.

When cutting or soldering pipe, use safety glasses to protect your eyes.

## Things You May Need

Correct installation may vary depending on previous faucet installation. All necessary supplies required for faucet installation are not included, but may be found where plumbing supplies are sold. It is suggested that IAPMO and/or CSA approved plumbing supplies are used during installation.

## Standards

IAPMO/cUPC Listed (all variants)  
Meets NSF 61-9 (all variants)  
Meets A112.18.1 (all variants)  
ADA Compliant (K1-1311 only)

## Maintenance

Your new bathroom faucet is designed for years of trouble-free performance.

Keep it looking new by cleaning it periodically with a soft cloth. Avoid abrasive cleaners, wire wool and harsh chemicals as these will dull the finish and void your warranty.

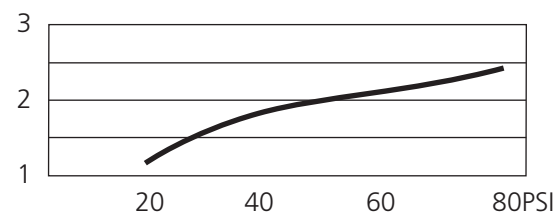
## Important Points

Prior to beginning installation, turn off the cold and hot water lines and open the old faucet to release built-up pressure.

Overtightening nuts may cause damage.

Wrap all threaded connections with pipe tape available at your local plumbing supply store. Always wrap in a clockwise direction. The fittings should be installed by a state-licensed plumber.

## Flow Rate



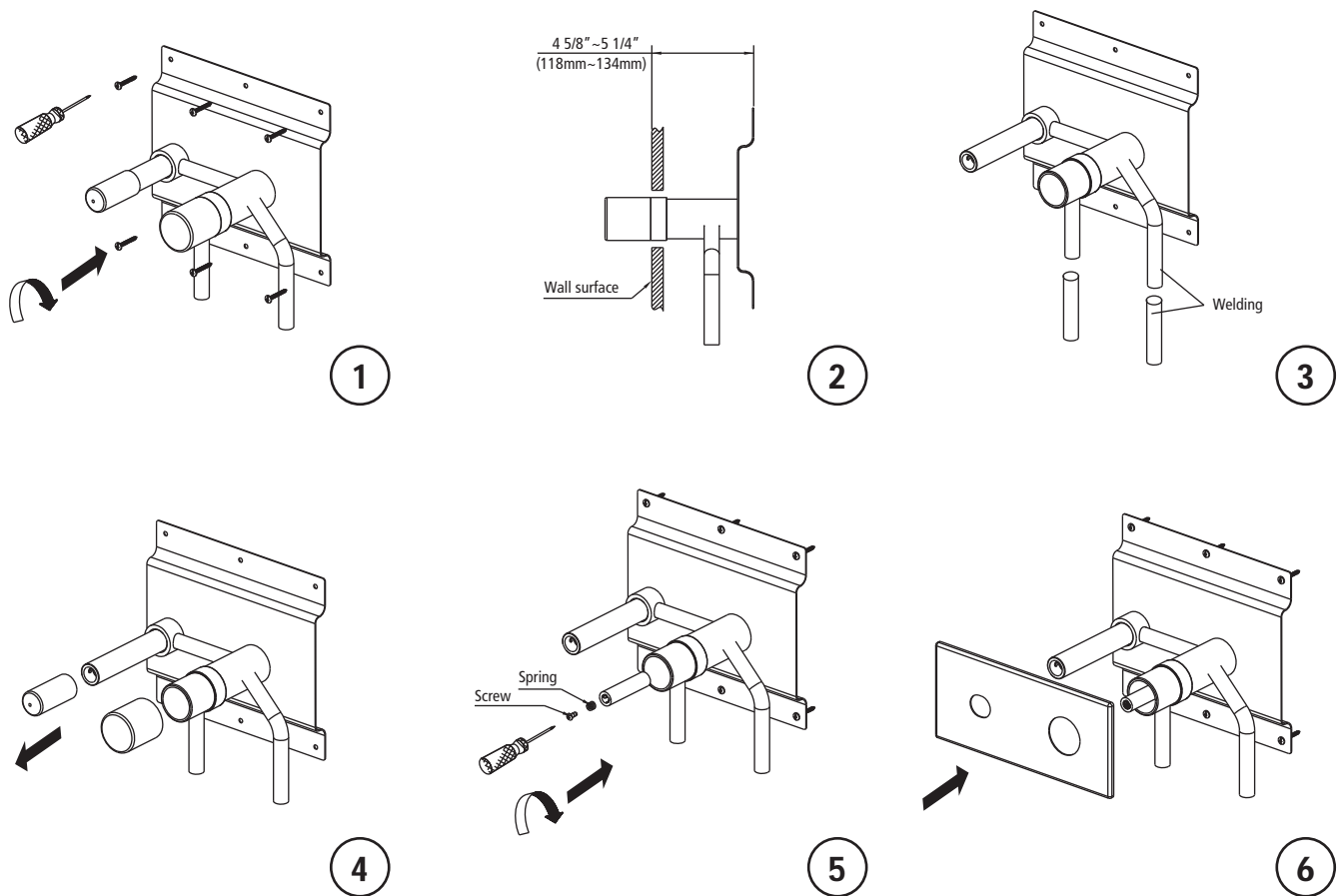
Please note :

Final achievable flow rate is dependent on the outlets fitted, see relevant outlets (spouts, roses, sprays) for fully assembled product flow rate.

# Steps 1-6

## Installation Procedure

Lefroy Brooks always recommends that plumbing products be installed by a licensed professional. Shut off main water supply before installation.



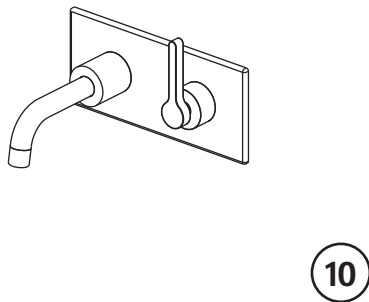
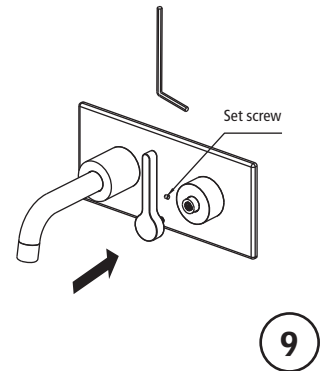
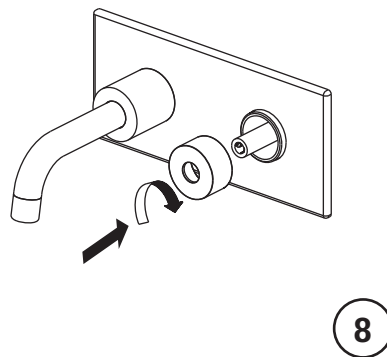
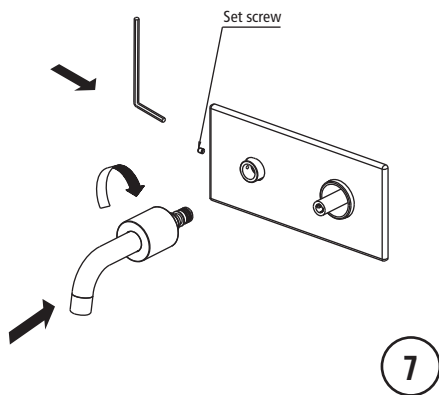
- 1 Install valve body onto internal wall.
- 2 Before installation, make sure that the distance between where the back plate is going to fix onto and the front wall surface is 118~134mm.
- 3 Connect hot and cold water supply to valve body by soldering.

- 4 Once the front wall is finished and you are ready to install the trim kit, take off the protective caps for installing the trim.
- 5 Install the spindle.
- 6 Place the front plate onto the valve.

# Steps 7-10

## Installation Procedure

Lefroy Brooks always recommends that plumbing products be installed by a licensed professional. Shut off main water supply before installation.



**7** Place the spout assembly onto the valve and fix it to the valve with set screw. Then fix the canopy.

**8** Install the canopy.

**9** Fix the handle with set screw.

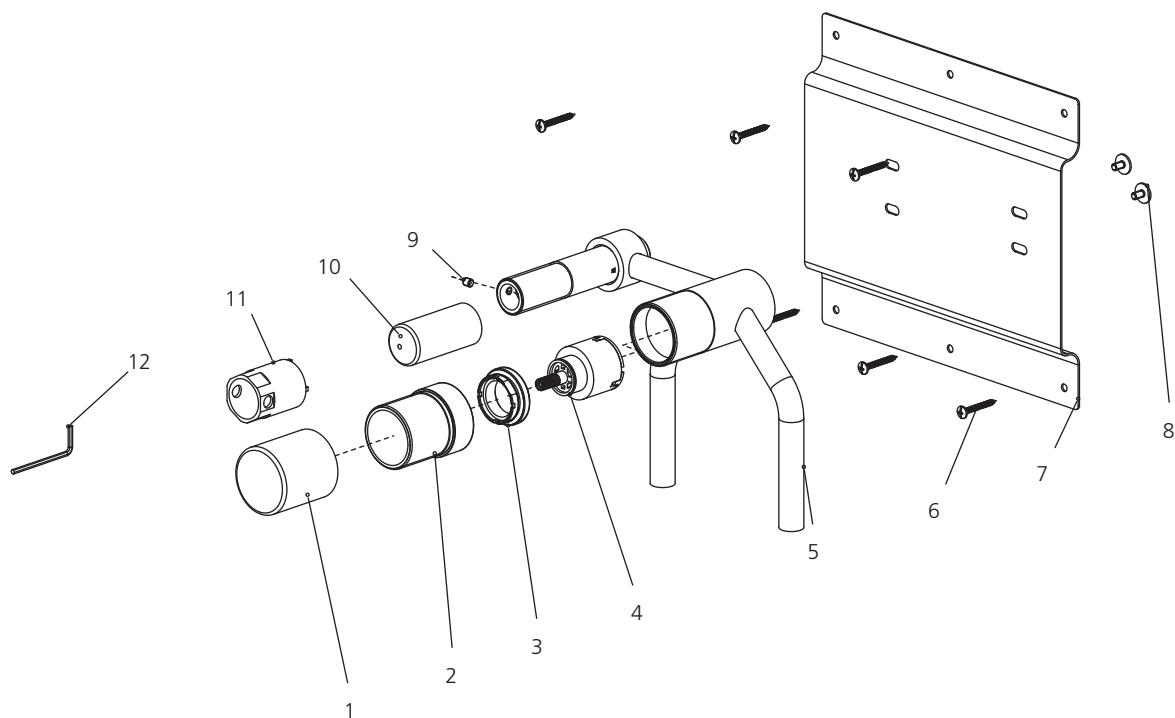
**10** After installing faucet, remove aerator and open the hot and cold supplies. Check for leaks. Turn on faucet handle for one minute to flush debris from faucet. Turn off the handle and re-assemble the aerator.

# Exploded View

## Parts List

---

R1-4010  
R1-4011

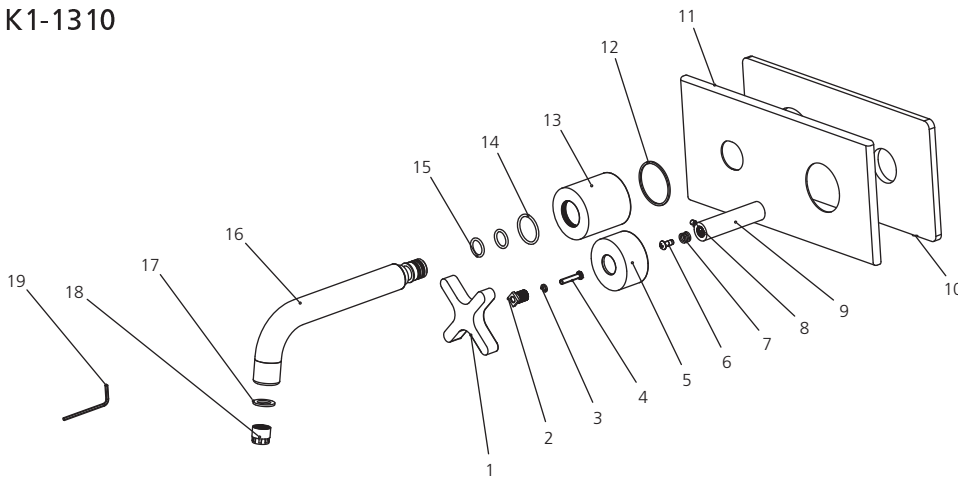


- 1 Protective cap (038009)
- 2 Sleeve (035524)
- 3 Adjusting ring (104283)
- 4 Sequential cartridge  
(507970N for R1-4010,  
507859N for R1-4011)
- 5 Body (061932W)
- 6 Screw (075022)
- 7 Fixing plate (120268)
- 8 Screw (008013)
- 9 Screw (008003)
- 10 Protective cap (038007)
- 11 Wrench (031238)
- 12 Allen key (031000)

# Exploded View

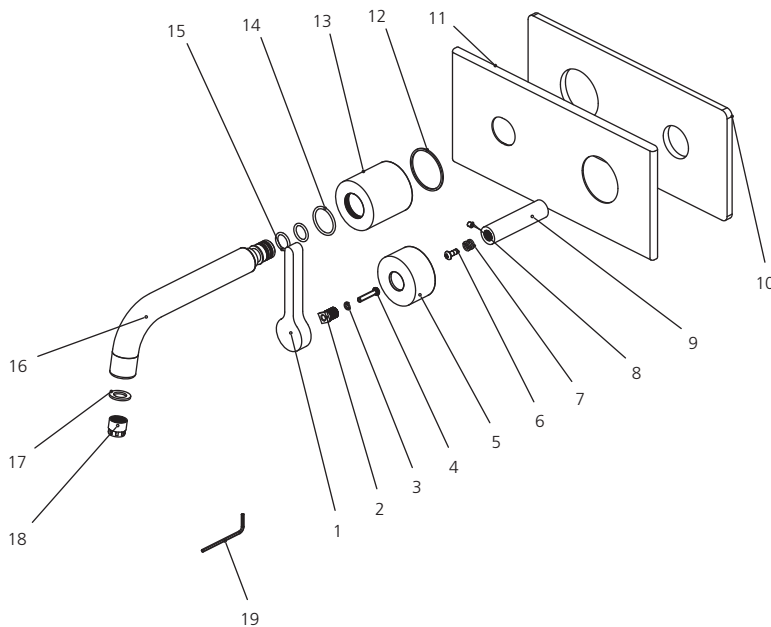
## Parts List

K1-1310



- 1 Handle (069688)
- 2 Adaptor (067964)
- 3 Washer (013570)
- 4 Screw (008744)
- 5 Canopy (018066)
- 6 Screw (008154)
- 7 Spring washer (013148)
- 8 Screw (065021)
- 9 Adaptor (205444)
- 10 Seal (010926)
- 11 Front plate (006575)
- 12 Washer (013635)
- 13 Canopy (018068)
- 14 O-ring (004007)
- 15 O-ring (072042N)
- 16 Spout assembly (139824N)
- 17 Oil-seal (010805N)
- 18 Aerator insert (553641N)
- 19 Allen key (031003)

K1-1311



- 1 Handle (069699)
- 2 Adaptor (067964)
- 3 Washer (013570)
- 4 Screw (008744)
- 5 Canopy (018066)
- 6 Screw (008154)
- 7 Spring washer (013148)
- 8 Screw (065021)
- 9 Adaptor (205444)
- 10 Seal (010926)
- 11 Front plate (006575)
- 12 Washer (013635)
- 13 Canopy (018068)
- 14 O-ring (004007)
- 15 O-ring (072042N)
- 16 Spout assembly (139824N)
- 17 Oil-seal (010805N)
- 18 Aerator insert (553641N)
- 19 Allen key (031003)

For additional assistance or service call

**718-302-5292**

**9am to 5pm EST Monday to Friday**



L E F R O Y B R O O K S

[www.lefroybrooks.com](http://www.lefroybrooks.com)

LEFROY BROOKS INC, 1828 TROUTMAN STREET, RIDGEWOOD, NY, 11385  
TELEPHONE: 718-302-5292. FAX: 718-302-4177

The use of trademarks, product design and artwork is subject to licence or agreement with LBIP Ltd. The design registrations, trademark registrations and copyrights are protected by law and the use or reproduction outside the terms of an agreement is prohibited. The right to modify designs and dimensions is reserved. Christo Lefroy Brooks is a member of ACID (Anti Copying in Design).