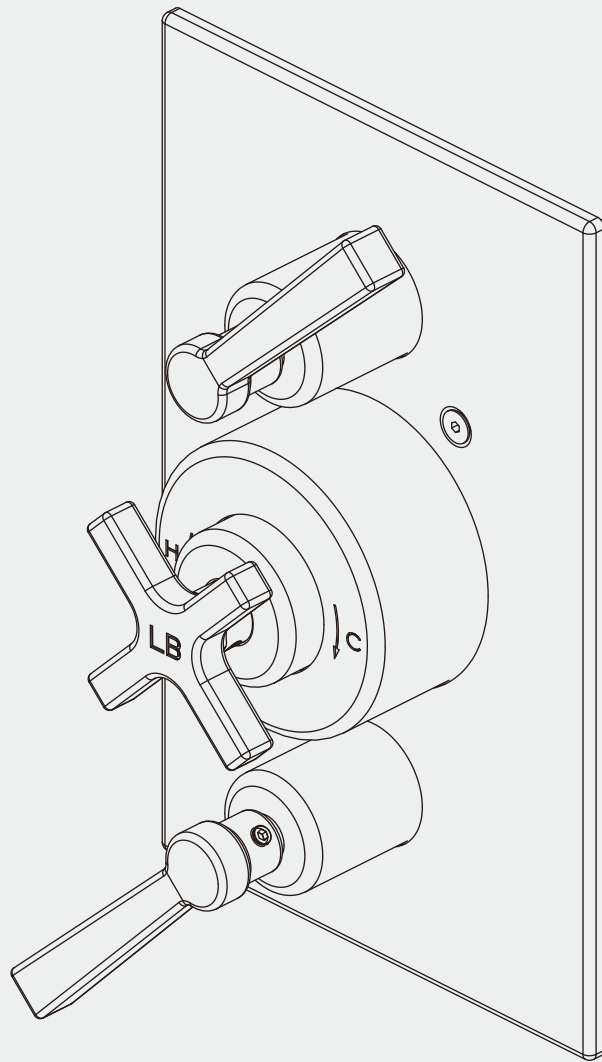


## INSTALLATION INSTRUCTIONS

# M2-4404

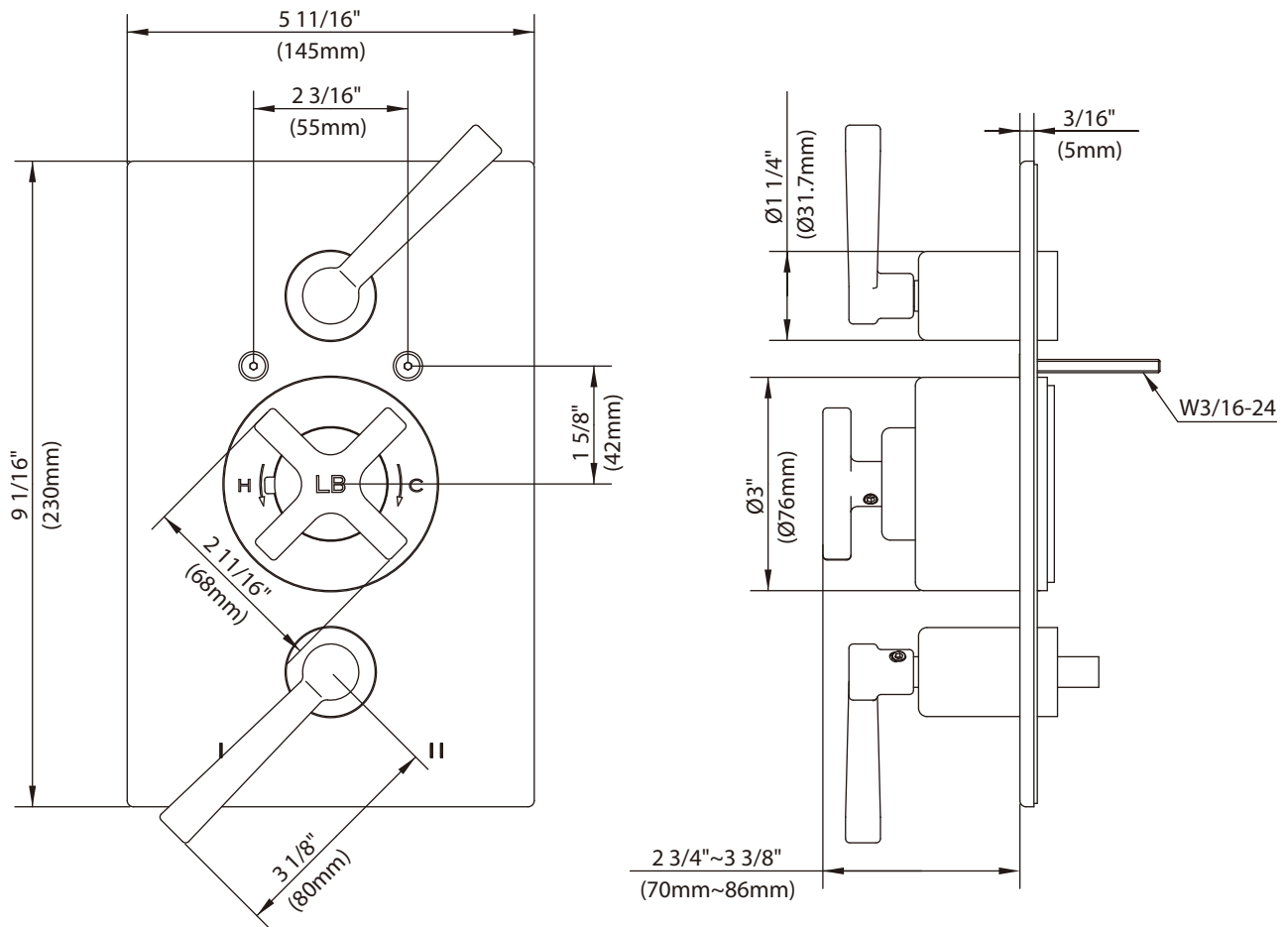
FLEETWOOD CROSS HANDLE THERMOSTATIC WITH LEVER FLOW CONTROL & 2-WAY DIVERTER TRIM ONLY, TO SUIT M1-4203 ROUGH



LEFROY BROOKS

# Dimensions in Inches (& Millimetres)

M2-4404

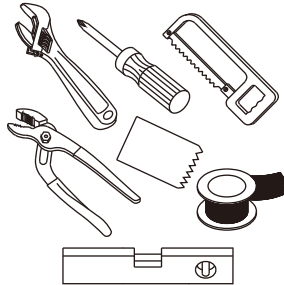


Whilst every effort is made to ensure accuracy, design and dimensions are subject to change without notice as part of the company's product development process.

# What you need to know

## Tools:

Adjustable Wrench  
Groove Joint Pliers  
Hacksaw  
Phillips Screwdriver  
Pipe Tape  
Spatula  
Spirit Level



## Safety Tips

If you are soldering during faucet installation, remove cartridges, seats, gaskets and washers prior to applying flame, otherwise you will void the warranty.

Cover drain openings to avoid losing small parts.

When cutting or soldering pipe, use safety glasses to protect your eyes.

## Maintenance

Your new bathroom faucet is designed for years of trouble-free performance.

Keep it looking new by cleaning it periodically with a soft cloth. Avoid abrasive cleaners, wire wool and harsh chemicals as these will dull the finish and void your warranty.

## Important Points

Prior to beginning installation, turn off the cold and hot water lines and open the old faucet to release built-up pressure.

Overtightening nuts may cause damage.

Wrap all threaded connections with pipe tape available at your local plumbing supply store. Always wrap in a clockwise direction. The fittings should be installed by a state-licensed plumber.

Please note:

When there is a difference in water pressure between hot and cold supplies to the mixing valve, the pressures should be equalized by a plumber in accordance with best practice and legislation.

## Things You May Need

Correct installation may vary depending on previous faucet installation. All necessary supplies required for faucet installation are not included, but may be found where plumbing supplies are sold. It is suggested that IAPMO and/or CSA approved plumbing supplies are used during installation.

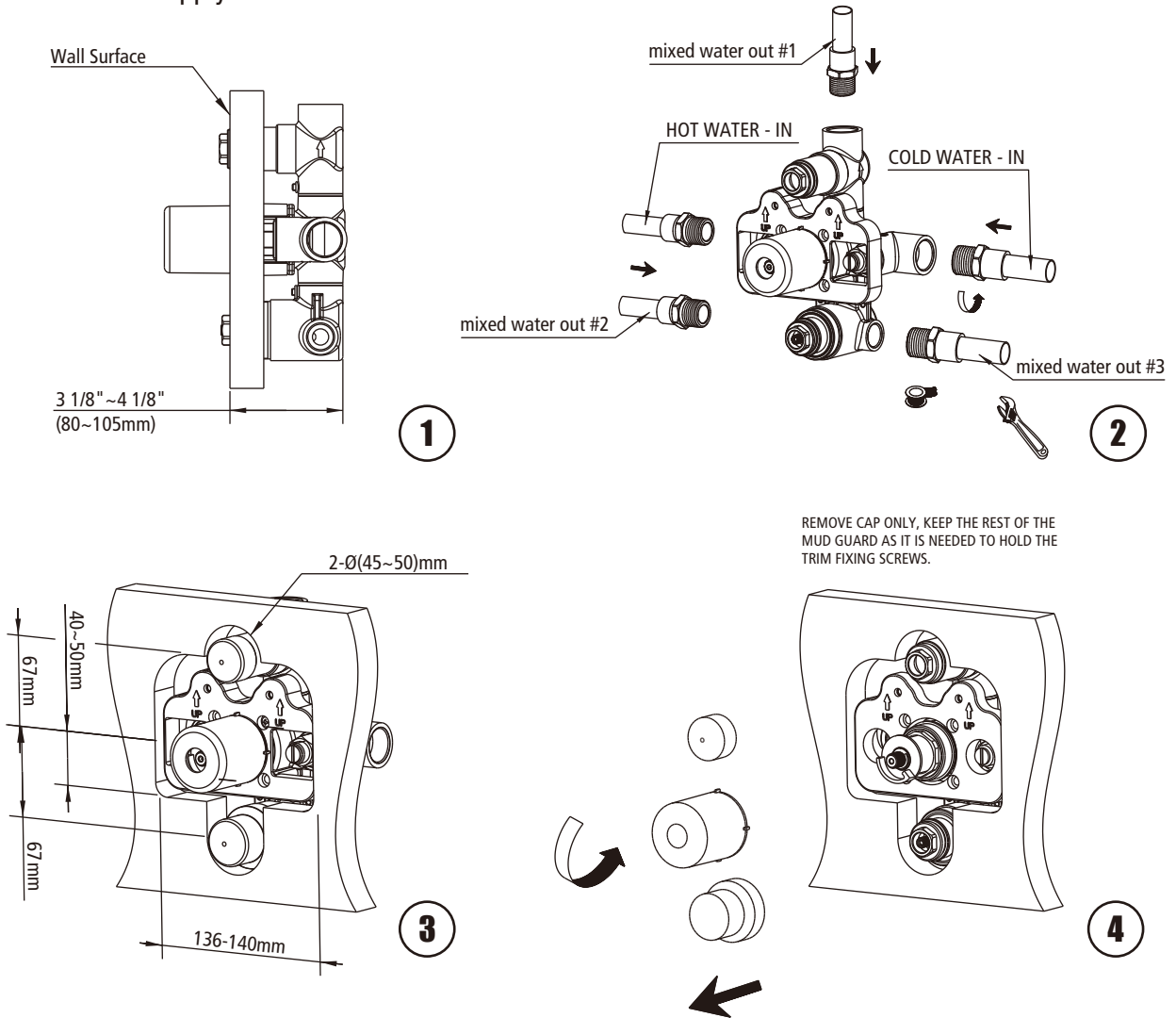
## Standards

IAPMO/cUPC Listed  
Meets A112.18.1

# Steps 1-4

## Installation Procedure

Lefroy Brooks always recommends that plumbing products be installed by a licensed professional. Shut off main water supply before installation.



**1** Before installing the valve into the wall, please note that a distance between 80mm~105mm from the wall surface to the rear of the valve should be left so that the trim can be fitted correctly.

**2** Install valve assembly into the wall.

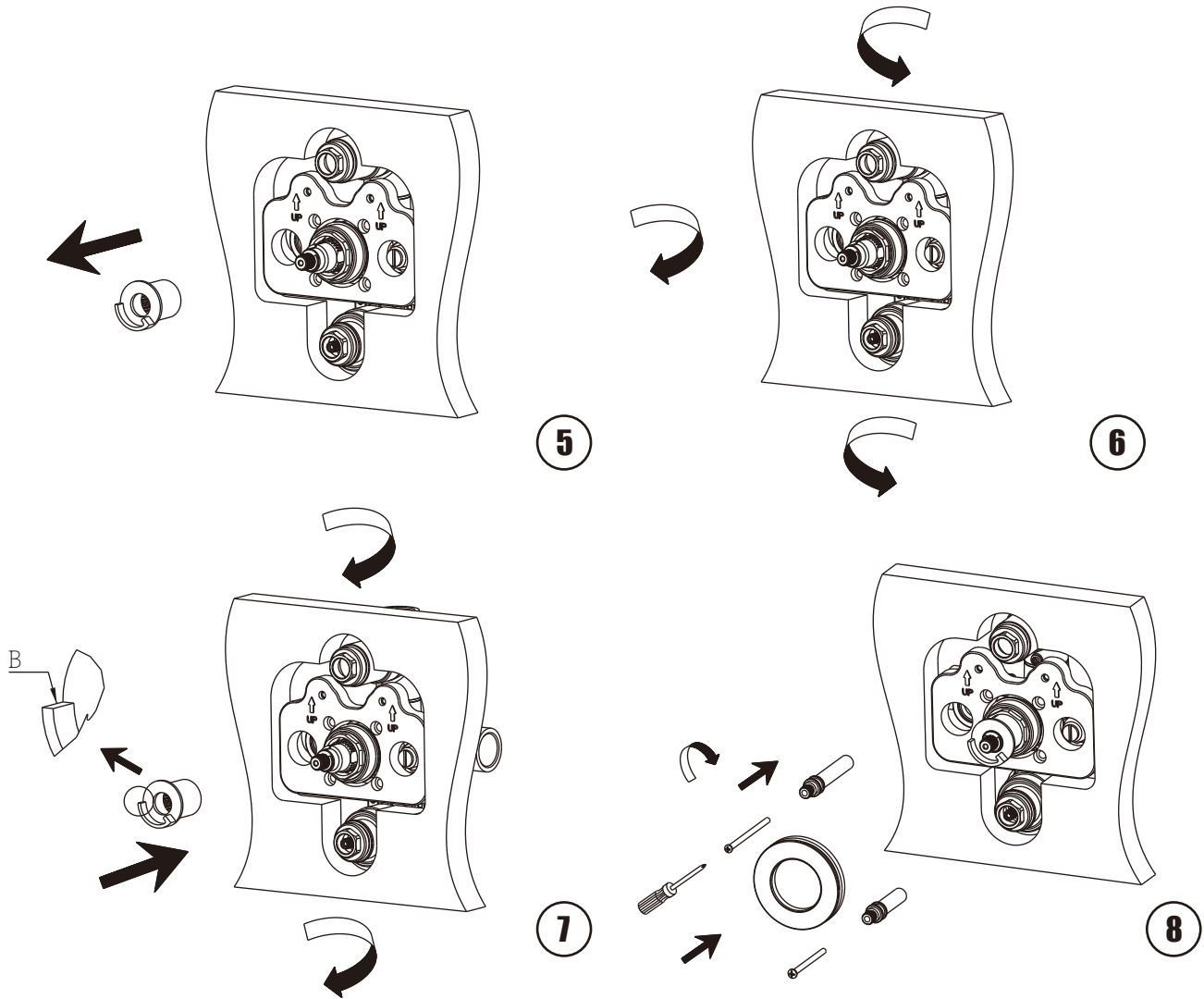
**3** Cut a hole in the wall surface for fitting the trim kit. The hole dimension is as shown in figure 3.

**4** Throw away the protective caps only when building construction is completed and you are ready to fit the trim kit in. REMOVE CAP ONLY, KEEP THE REST OF THE MUD GUARD AS IT IS NEEDED TO HOLD THE TRIM FIXING SCREWS

# Steps 5-8

## Installation Procedure

Lefroy Brooks always recommends that plumbing products be installed by a licensed professional. Shut off main water supply before installation.



**5** Take out the stopper.

**6** Turn on the flow controller. Turn the thermostatic cartridge until the water temperature is at 38. Suggestion: attach a hose to the outlets and guide the water to the basin or another container to test the temperature and prevent it from spilling on the floor.

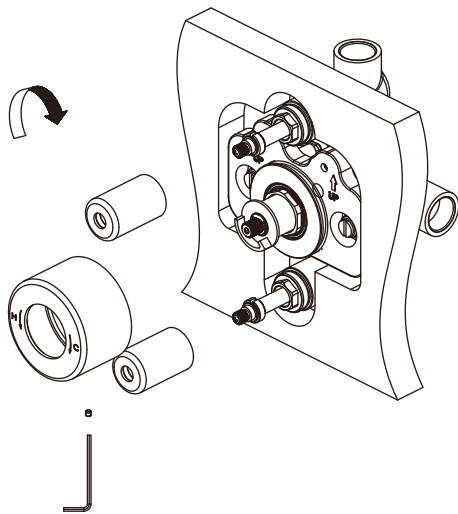
**7** Turn off the water supply. Install the stopper and make sure its "B" plane as shown is horizontal and on the left side.

**8** Fix the stem extension and the adjusting ring.

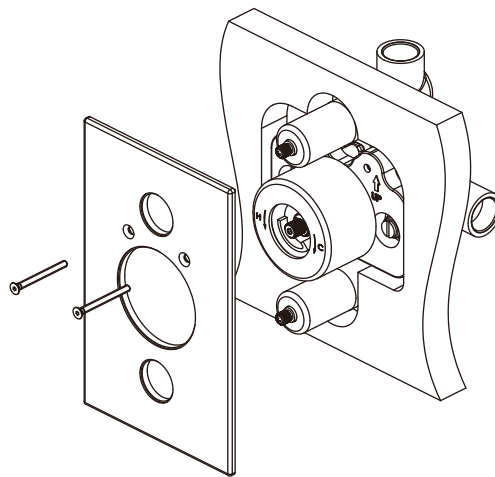
# Steps 9-12

## Installation Procedure

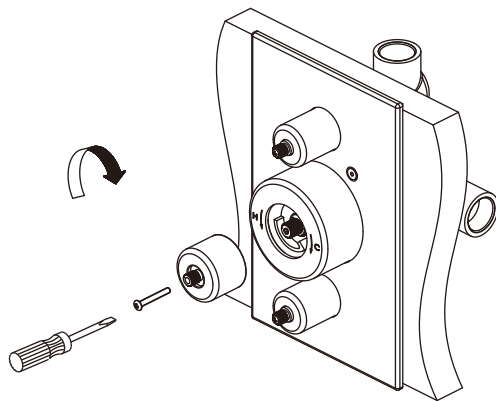
Lefroy Brooks always recommends that plumbing products be installed by a licensed professional. Shut off main water supply before installation.



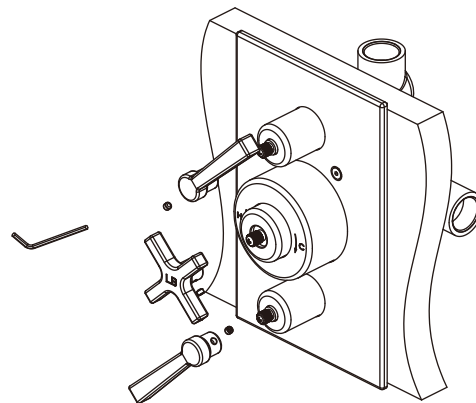
9



10



11



12

**9** Install the canopies.

**10** Fix the front plate with screws.

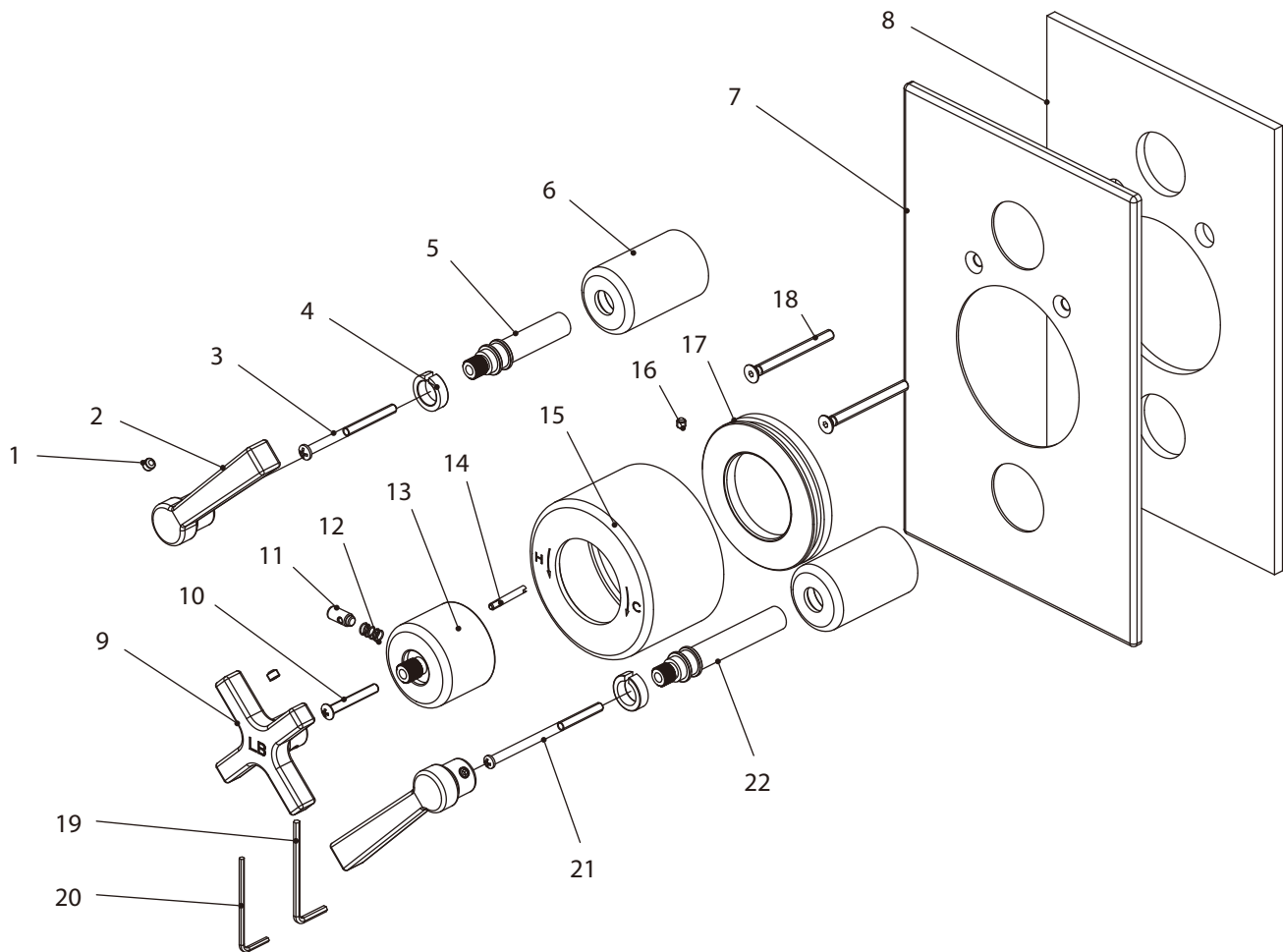
**11** Fix the canopy with screw. When it is fixed, check that the temperature-limit-button is in the horizontal position.

**12** Install handle assembly with set screws.

# Exploded View

## Parts List

M2-4404



1	Set screw (292598)	9	Handle (029685-51)	17	Adjusting ring (104295)
2	Handle (029686)	10	Screw (008994)	18	Screw (008186)
3	Screw (008189)	11	Button (036272)	19	Allen wrench (031000)
4	Clip (012242)	12	Spring (005157)	20	Allen wrench (031003)
5	Spindle (110388)	13	Adaptor (067960)	21	Screw (008196)
6	Canopy (018960)	14	Pin (003147)	22	Spindle (110386)
7	Front panel (006228)	15	Canopy (018959-52)		
8	Seal (013152)	16	Set screw (065086)		

For additional assistance or service call

**718-302-5292**

**9am to 5pm EST Monday to Friday**



LEFROY BROOKS

[www.lefroybrooks.com](http://www.lefroybrooks.com)

LEFROY BROOKS INC, 1828 TROUTMAN STREET, RIDGEWOOD, NY, 11385  
TELEPHONE: 718-302-5292. FAX: 718-302-4177

The use of trademarks, product design and artwork is subject to licence or agreement with LBIP Ltd. The design registrations, trademark registrations and copyrights are protected by law and the use or reproduction outside the terms of an agreement is prohibited. The right to modify designs and dimensions is reserved. Christo Lefroy Brooks is a member of ACID (Anti Copying in Design).

© LBIP LTD 2012