

## INSTALLATION INSTRUCTIONS

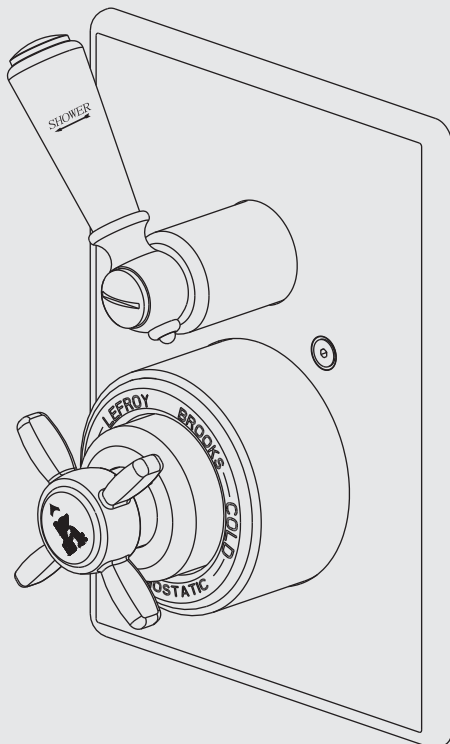
# CW-4050 (GD8706)

WHITE LEVER CONCEALED GODOLPHIN THERMOSTATIC  
MIXING VALVE TRIM ONLY, TO SUIT M1-4201 ROUGH

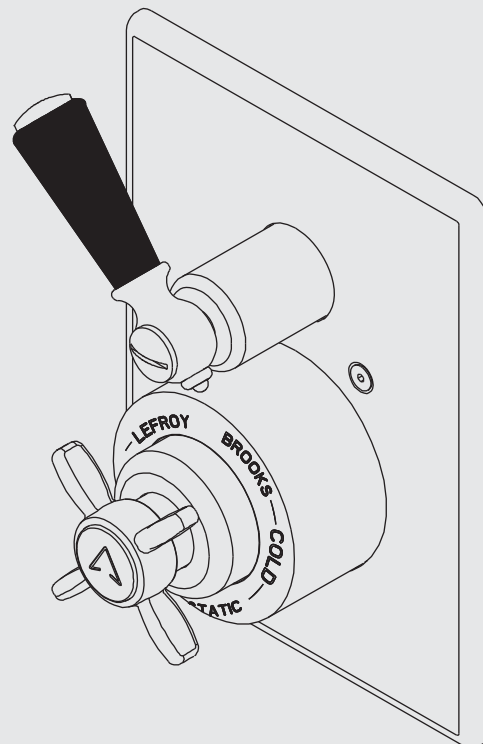
# CB-4060 (BL8706)

BLACK LEVER CONCEALED GODOLPHIN THERMOSTATIC  
MIXING VALVE TRIM ONLY, TO SUIT M1-4201 ROUGH

CW-4050



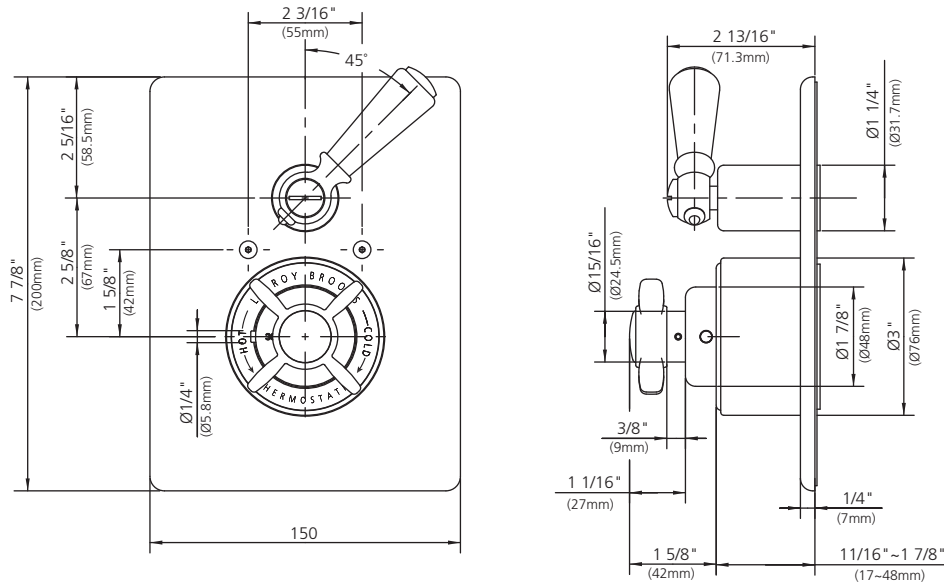
CB-4060



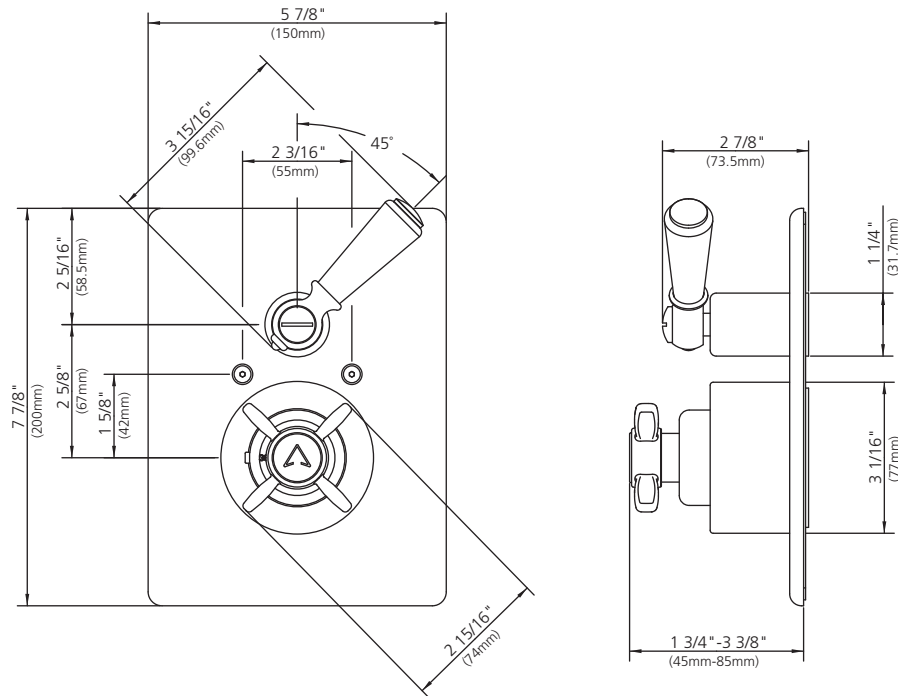
LEFROY BROOKS

# Dimensions in Inches (& Millimetres)

## CW-4050



## CB-4060



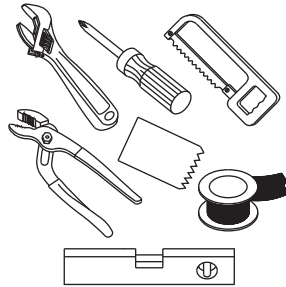
Whilst every effort is made to ensure accuracy, design and dimensions are subject to change without notice as part of the company's product development process.

# What you need to know

## Tools:

---

Adjustable Wrench  
Groove Joint Pliers  
Hacksaw  
Phillips Screwdriver  
Pipe Tape  
Spatula  
Spirit Level



## Safety Tips

---

If you are soldering during faucet installation, remove cartridges, seats, gaskets and washers prior to applying flame, otherwise you will void the warranty.

Cover drain openings to avoid losing small parts.

When cutting or soldering pipe, use safety glasses to protect your eyes.

## Things You May Need

---

Correct installation may vary depending on previous faucet installation. All necessary supplies required for faucet installation are not included, but may be found where plumbing supplies are sold. It is suggested that IAPMO and/or CSA approved plumbing supplies are used during installation.

## Standards

---

IAPMO/cUPC Listed  
Meets A112.18.1

## Maintenance

---

Your new bathroom faucet is designed for years of trouble-free performance.

Keep it looking new by cleaning it periodically with a soft cloth. Avoid abrasive cleaners, wire wool and harsh chemicals as these will dull the finish and void your warranty.

## Important Points

---

Prior to beginning installation, turn off the cold and hot water lines and open the old faucet to release built-up pressure.

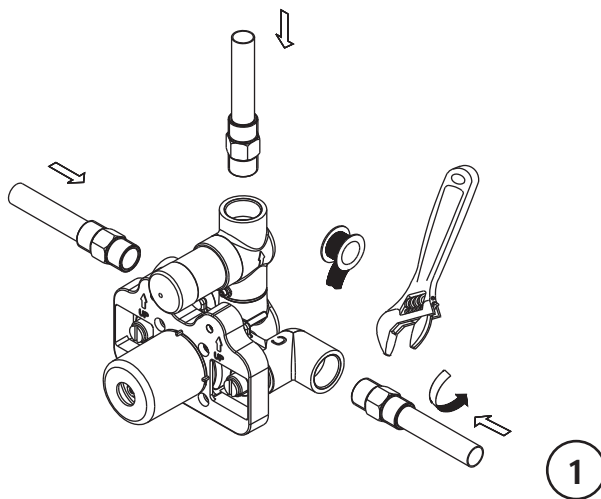
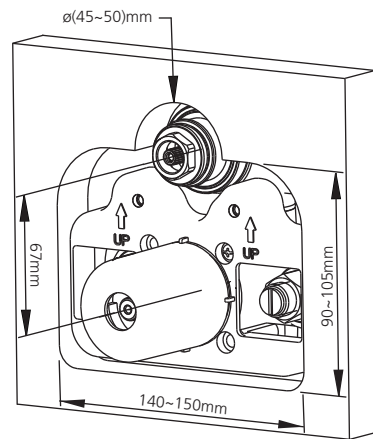
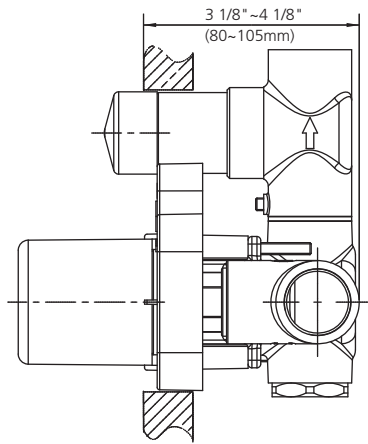
Overtightening nuts may cause damage.

Wrap all threaded connections with pipe tape available at your local plumbing supply store. Always wrap in a clockwise direction. The fittings should be installed by a state-licensed plumber.

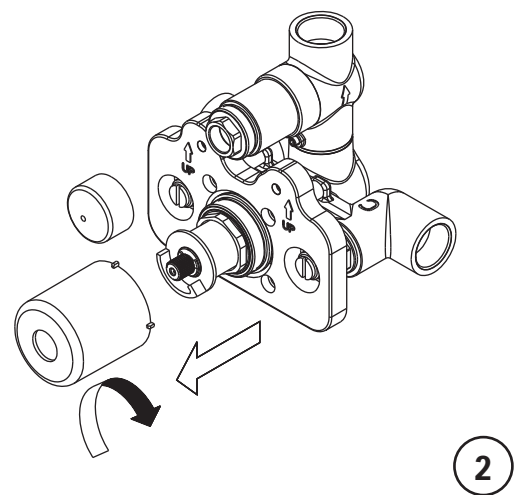
# Steps 1-2

## Installation Procedure

Lefroy Brooks always recommends that plumbing products be installed by a licensed professional. Shut off main water supply before installation.



**1** Install body assembly into wall.

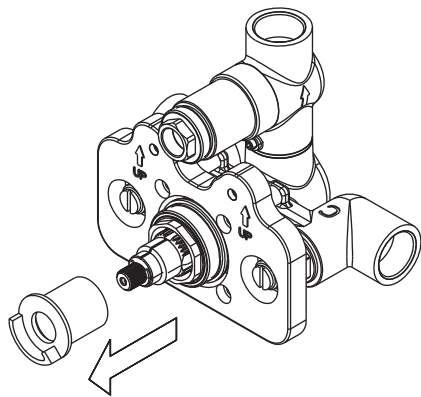


**2** Throw away the protective cap only when the building construction is completed and you are ready to fit the trim kit.

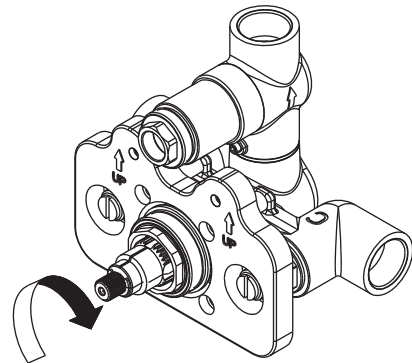
# Steps 3-6

## Installation Procedure

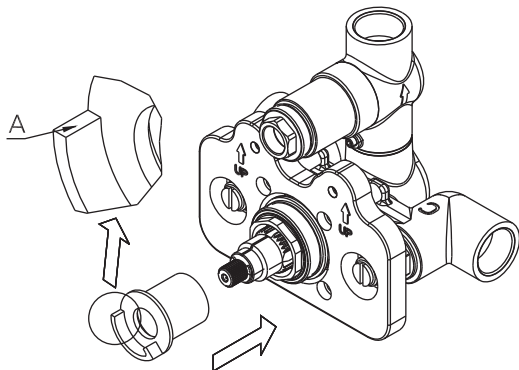
Lefroy Brooks always recommends that plumbing products be installed by a licensed professional. Shut off main water supply before installation.



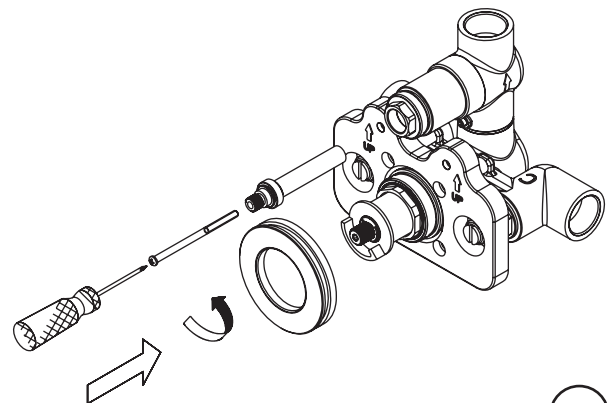
3



4



5



6

**3** Take out the stopper.

**4** Turn on water-controller, adjust the temperature controller stem of cartridge to make sure the water's temperature is at 38 degrees.

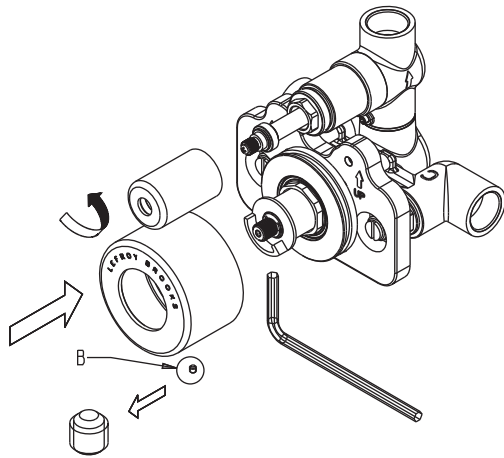
**5** Fix the stopper to make sure the "A" plane is horizontal and on the left side.

**6** Fix the stem extension and the adjusting ring.

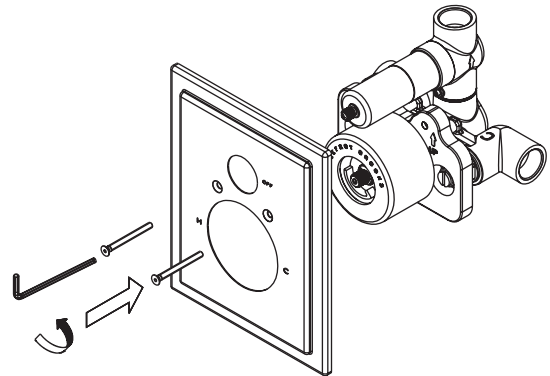
# Steps 7-10

## Installation Procedure

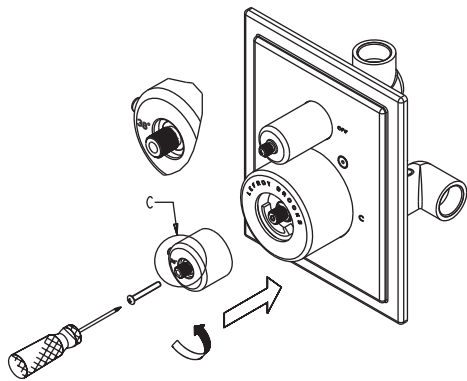
Lefroy Brooks always recommends that plumbing products be installed by a licensed professional. Shut off main water supply before installation.



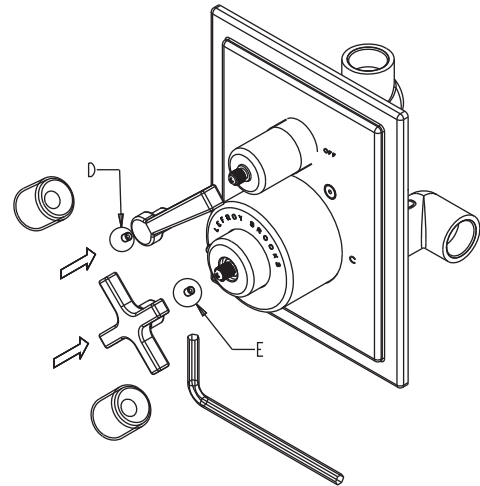
7



8



9



10

**7** Install the canopies.

**8** Fix the front plate with screws.

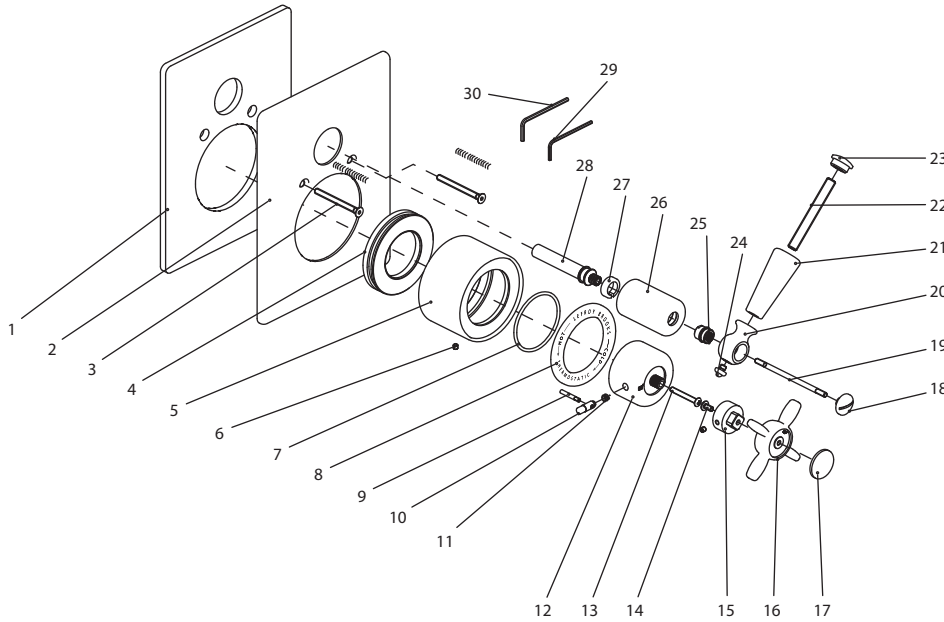
**9** Fix the canopy with scwew.

**10** Install handle assembly into valve.

# Exploded View

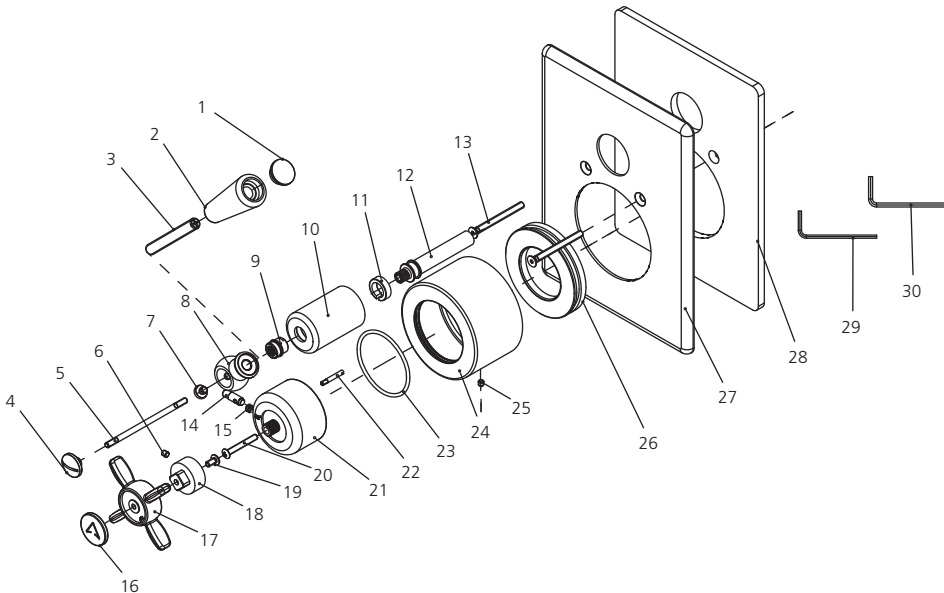
## Parts List

### CW-4050



- 1 Seal (013830)
- 2 Front panel (006595)
- 3 Screw (008186)
- 4 Adjusting ring (104295)
- 5 Canopy (018394)
- 6 Set screw (065086)
- 7 O-ring (004623R)
- 8 Ceramic ring (023660)
- 9 Pin (003147)
- 10 Button (036292)
- 11 Spring (005157)
- 12 Adaptor (018204-50)
- 13 Screw (008994)
- 14 Screw (065172)
- 15 Adaptor (205462)
- 16 Cross handle (069906)
- 17 Handle cap (206243)
- 18 Head (008247)
- 19 Spindle (008244)
- 20 Adaptor (205461)
- 21 Handle sleeve (108924-50)
- 22 Handle stem (017094)
- 23 Handle-end cap (109376)
- 24 Handle adaptor (109377)
- 25 Adaptor (067580)
- 26 Canopy (018960)
- 27 Clip (012242)
- 28 Spindle (110449)
- 29 Wrench (031003)
- 30 Wrench (031000)

### CB-4060



- 1 Handle cap (109376)
- 2 Handle sleeve (108924)
- 3 Handle stem (017094)
- 4 Screw head (008247)
- 5 Screw (008244)
- 6 Screw (065021)
- 7 Handle adaptor (109377)
- 8 Handle head (205461)
- 9 Adaptor (067580)
- 10 Canopy (018960)
- 11 Clip (012242)
- 12 Spindle (110449)
- 13 Screw (008186)
- 14 Button (036292)
- 15 Spring (005157)
- 16 Handle cap (206851)
- 17 Cross handle (069906)
- 18 Adaptor (205462)
- 19 Screw (065172)
- 20 Screw (008994)
- 21 Adaptor (018204-50)
- 22 Pin (003147)
- 23 O-ring (004623R)
- 24 Canopy (018235-50)
- 25 Set screw (065086)
- 26 Adjusting ring (104295)
- 27 Front panel (006595)
- 28 Seal (013830)
- 29 Allen key (031003)
- 30 Allen key (031000)

For additional assistance or service call

**718-302-5292**

**9am to 5pm EST Monday to Friday**



L E F R O Y   B R O O K S

[www.lefroybrooks.com](http://www.lefroybrooks.com)

LEFROY BROOKS INC, 1828 TROUTMAN STREET, RIDGEWOOD, NY, 11385  
TELEPHONE: 718-302-5292. FAX: 718-302-4177

The use of trademarks, product design and artwork is subject to licence or agreement with Christo A. Lefroy Brooks. The design registrations, trademark registrations and copyrights are protected by law and the use or reproduction outside the terms of an agreement is prohibited. The right to modify designs and dimensions is reserved. Christo Lefroy Brooks is a member of ACID (Anti Copying in Design).

©CHRISTO A. LEFROY BROOKS 2009