



LEFROY BROOKS

1 8 2 8 T R O U T M A N S T R E E T
R I D G E W O O D N E W Y O R K N Y 1 1 3 8 5 U S A
T : + 1 (7 1 8) 3 0 2 5 2 9 2 F : + 1 (7 1 8) 3 0 2 4 1 7 7

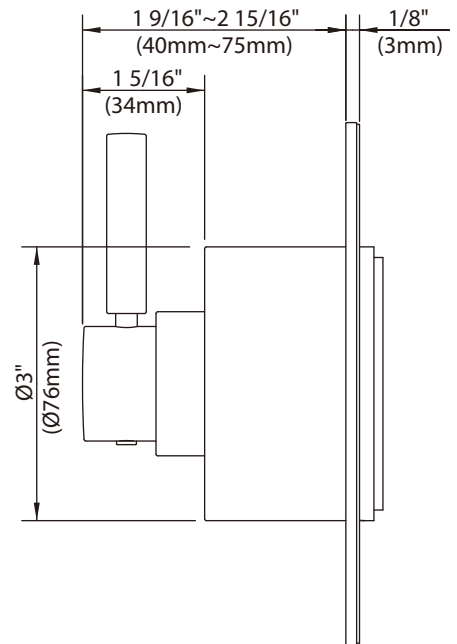
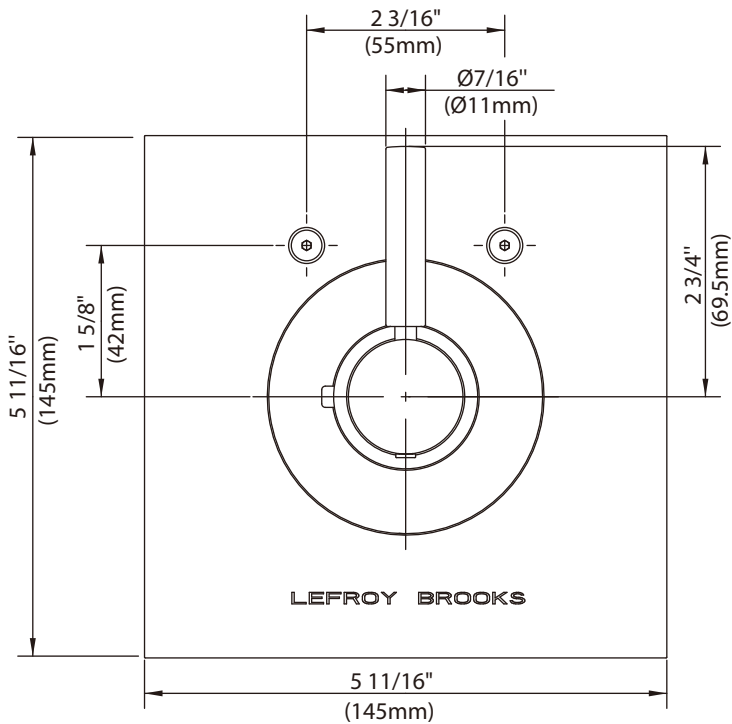
X1-2009

ZU SINGLE LEVER THERMOSTATIC TRIM ONLY, TO SUIT M1-4200
ROUGH

DIMENSIONAL DATA SHEET

DATE: 18 DECEMBER 2014

No: A66F313



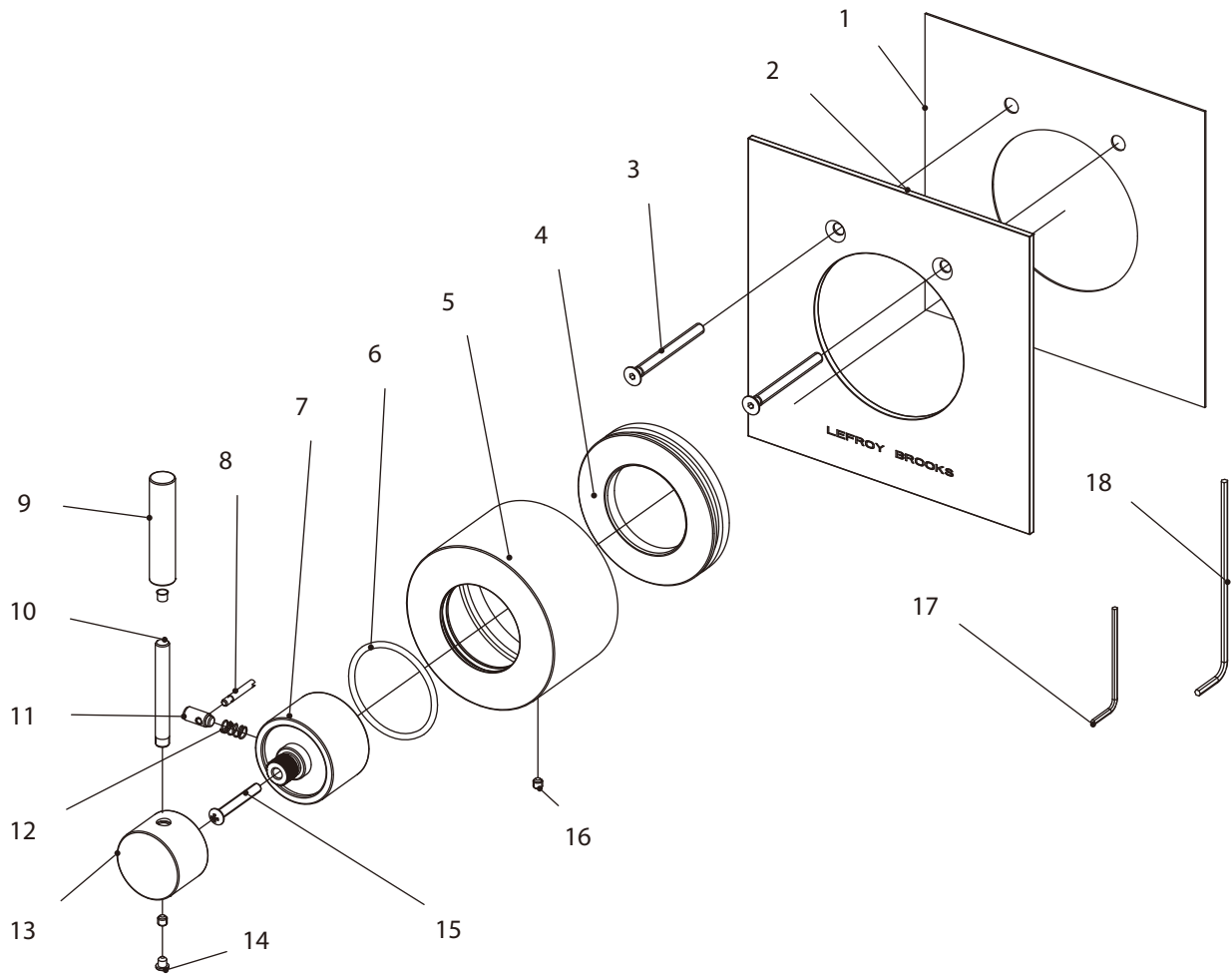
COPYRIGHT © LBIP LTD 2012. ALL RIGHTS RESERVED.

DIMENSIONS IN INCHES & MILLIMETRES

WHILST EVERY EFFORT IS MADE TO ENSURE THE ACCURACY OF THESE DATA SHEETS THEY ARE SUBJECT TO CHANGE WITHOUT NOTICE AS PART OF THE COMPANY'S PRODUCT DEVELOPMENT PROCESS

X1-2009

ZU SINGLE LEVER THERMOSTATIC TRIM ONLY, TO SUIT M1-4200 ROUGH



1	Seal (013237)	7	Adaptor (205121)	13	Handle seat (215479)
2	Front panel (006600-50)	8	Pin (003147)	14	Plug (028008)
3	Screw (008186)	9	Lever (038104)	15	Screw (008994)
4	Adjustment ring (104295)	10	Screw (108926)	16	Set screw (065086)
5	Canopy (071437)	11	Button (036272)	17	Allen key (031003)
6	O-ring (048060)	12	Spring (005157)	18	Allen key (031220)

Standards

IAPMO/cUPC Listed
Meets A112.18.1

Please note :

Final achievable flow rate is dependent on the outlets fitted, see relevant outlets (spouts, roses, sprays) for fully assembled product flow rate.