



LEFROY BROOKS

1 8 2 8 T R O U T M A N S T R E E T
R I D G E W O O D N E W Y O R K N Y 1 1 3 8 5 U S A
T: +1(718) 302 5292 F: +1(718) 302 4177

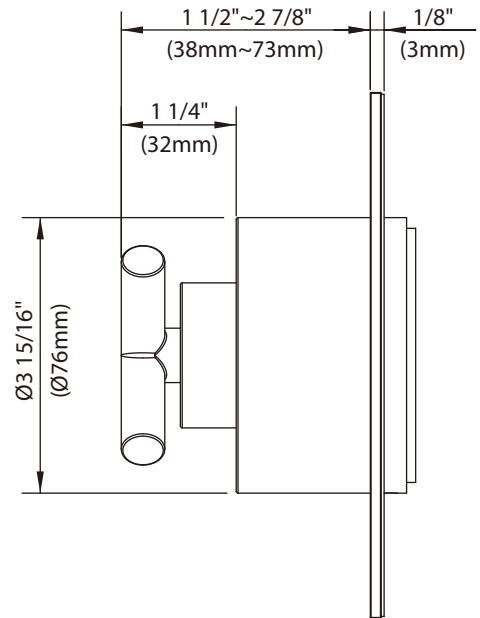
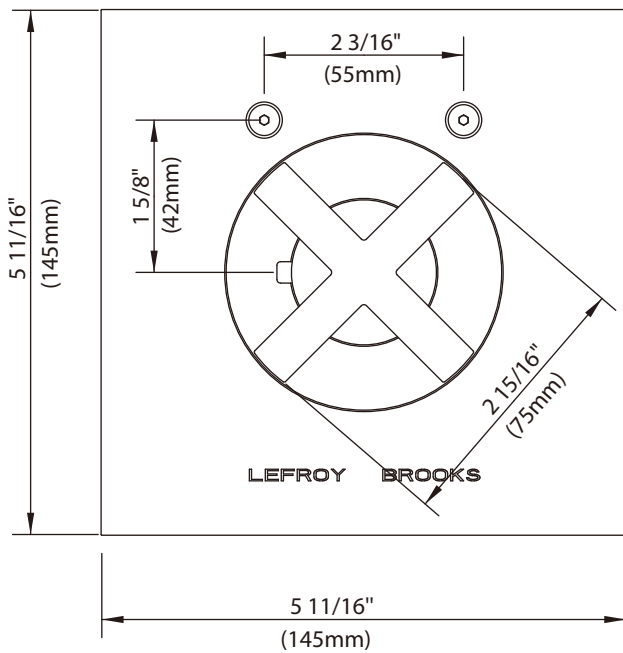
X1-2008

ZU SINGLE CROSS HANDLE THERMOSTATIC TRIM ONLY, TO SUIT
M1-4200 ROUGH

DIMENSIONAL DATA SHEET

DATE: 18 DECEMBER 2014

No: A66F545



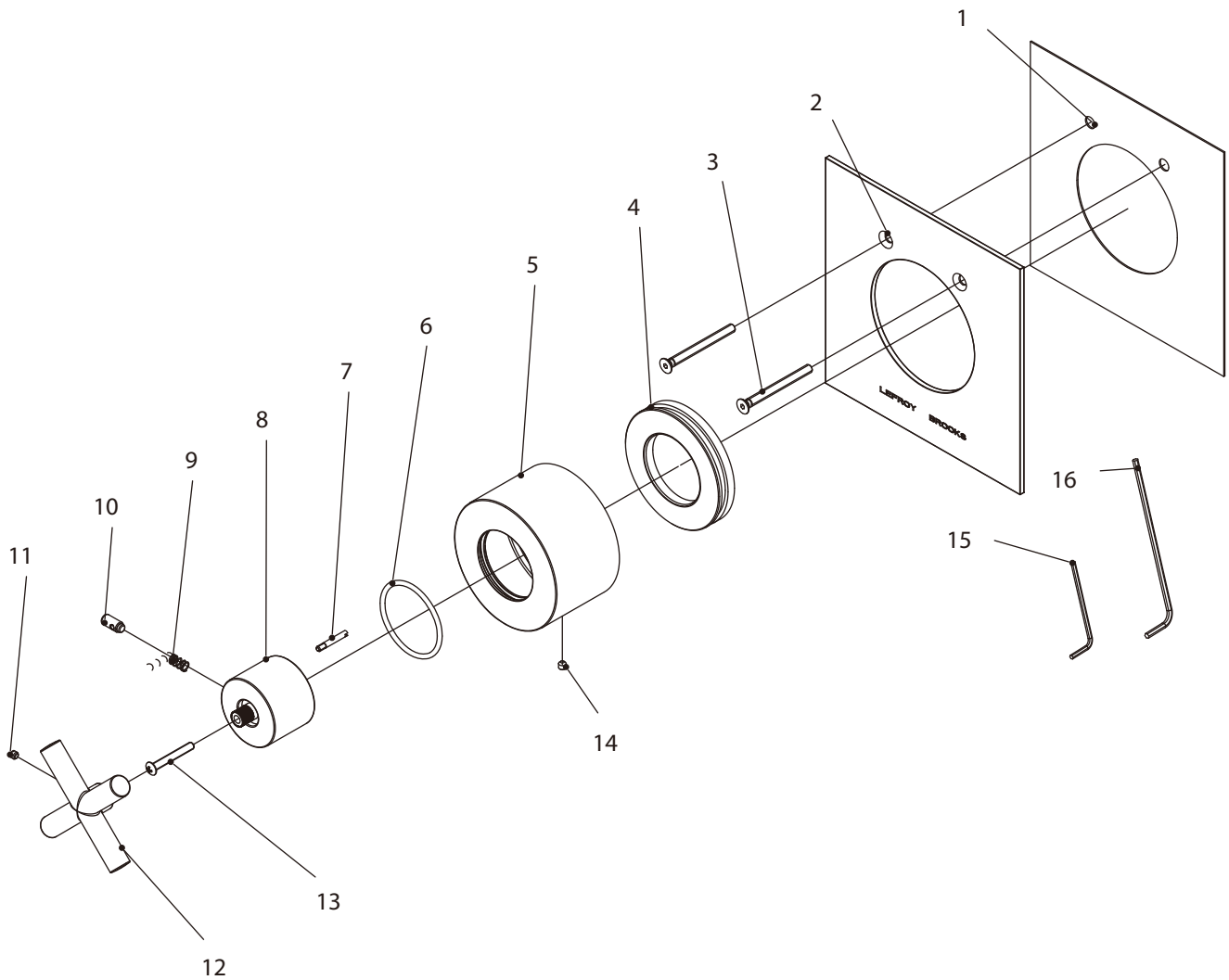
COPYRIGHT © LBIP LTD 2012. ALL RIGHTS RESERVED.

DIMENSIONS IN INCHES & MILLIMETRES

WHILST EVERY EFFORT IS MADE TO ENSURE THE ACCURACY OF THESE DATA SHEETS THEY ARE SUBJECT TO CHANGE WITHOUT NOTICE AS PART OF THE COMPANY'S PRODUCT DEVELOPMENT PROCESS

X1-2008

ZU SINGLE CROSS HANDLE THERMOSTATIC TRIM ONLY, TO SUIT M1-4200 ROUGH



1	Seal (013237)	7	Pin (003147)	13	Screw (008994)
2	Front panel (006600-50)	8	Adaptor (018210)	14	Set screw (065086)
3	Screw (008186)	9	Spring (005157)	15	Allen key (031003)
4	Adjustment ring (104295)	10	Button (036272)	16	Allen key (031220)
5	Canopy (071437)	11	Screw (008772)		
6	O-ring (048060)	12	Handle (069910)		

Standards

IAPMO/cUPC Listed
Meets NSF 61-9

Please note :
Final achievable flow rate is dependent on the outlets fitted, see relevant outlets (spouts, roses, sprays) for fully assembled product flow rate.